

KAPP- UND ZUGSÄGE PZKS 2000 B2 SLIDING COMPOUND MITRE SAW PZKS 2000 B2 SCIE À ONGLET RADIALE PZKS 2000 B2

(GB) (IE)

SLIDING COMPOUND MITRE SAW

Operating and Safety Instructions
Translation of Original Operating Manual

(FR) (BE)

SCIE À ONGLET RADIALE

Consignes d'utilisation et de sécurité
Traduction des instructions d'origine

(CZ)

KAPOVACÍ A POKOSOVÁ PÍLA

Pokyny pro obsluhu a bezpečnostní pokyny
Překlad originálního provozního návodu

(SK)

SKRACOVACIA A POKOSOVÁ PÍLA

Pokyny pre obsluhu a bezpečnostné pokyny
Překlad originálneho návodu na obsluhu

(DK)

KAPSAV MED TRÆKSAVFUNKTION

Drifts- og sikkerhedsinstruktioner
Oversættelse af den originale driftsvejledning

(DE) (AT) (CH)

KAPP- UND ZUGSÄGE

Bedienungs- und Sicherheitshinweise
Originalbetriebsanleitung

(NL) (BE)

KAP- EN TREKZAAG

Bedienings- en veiligheidsinstructies
Vertaling van de originele handleiding

(PL)

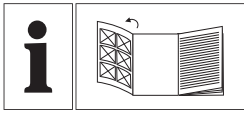
TARCZÓWKA I PIŁA DWURĘCZNA

Wskazówki dotyczące obsługi i bezpieczeństwa
Tłumaczenie oryginalnej instrukcji obsługi

(ES)

INGLETADORA TELESCÓPICA

Instrucciones de utilización y de seguridad
Traducción del manual de instrucciones original



GB IE

Before reading, unfold the page containing the illustrations and familiarise yourself with all functions of the device.

DE AT CH

Klappen Sie vor dem Lesen die Seite mit den Abbildungen aus und machen Sie sich anschließend mit allen Funktionen des Gerätes vertraut.

FR BE

Avant de lire le mode d'emploi, ouvrez la page contenant les illustrations et familiarisez-vous ensuite avec toutes les fonctions de l'appareil.

NL BE

Vouw vóór het lezen de pagina met de afbeeldingen open en maak u vertrouwd met alle functies van het apparaat.

CZ

Před čtením si otevřete stranu s obrázky a potom se seznamte se všemi funkcemi přístroje.

PL

Przed przeczytaniem proszę rozłożyć stronę z ilustracjami, a następnie proszę zapoznać się z wszystkimi funkcjami urządzenia.

SK

Pred čítaním si odklopte stranu s obrázkami a potom sa oboznámte so všetkými funkciami prístroja.

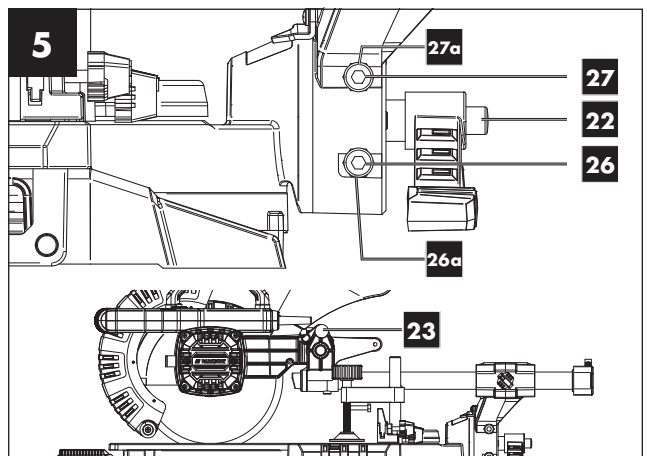
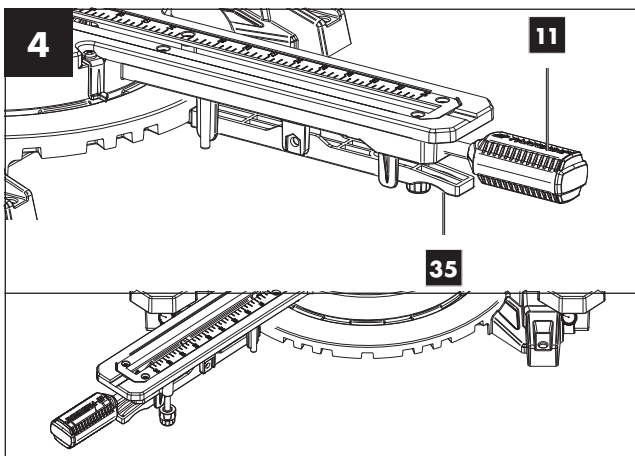
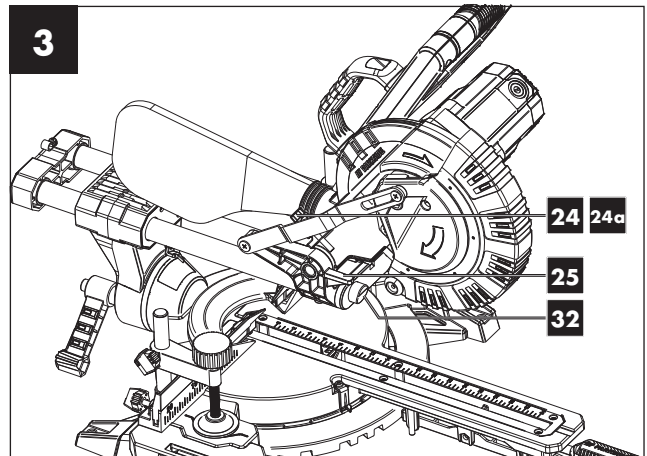
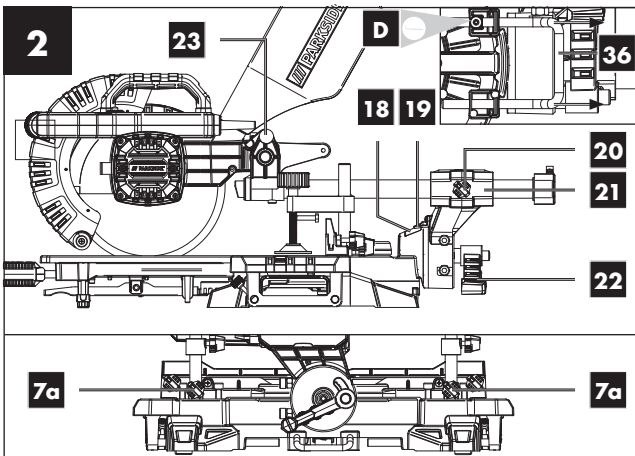
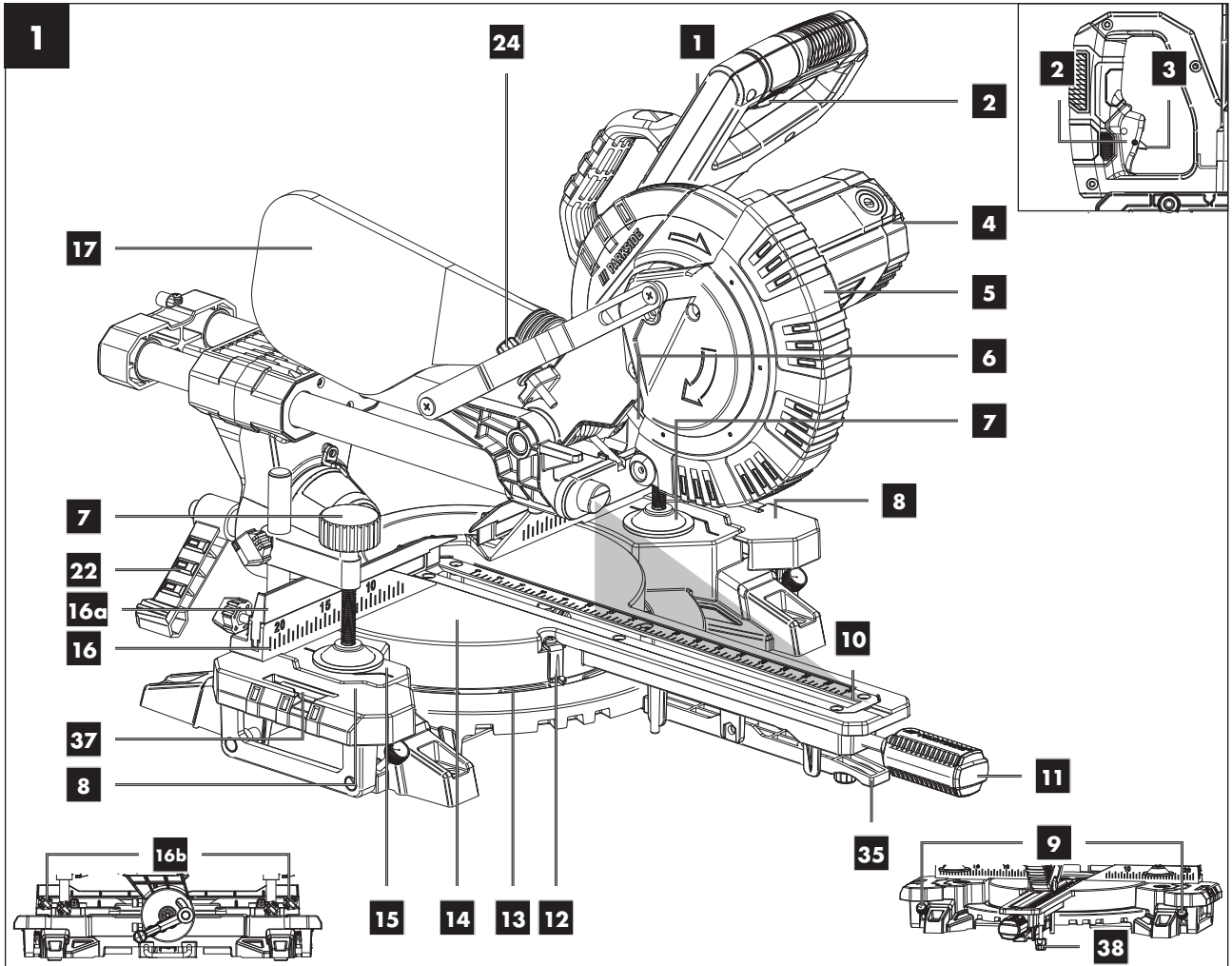
ES

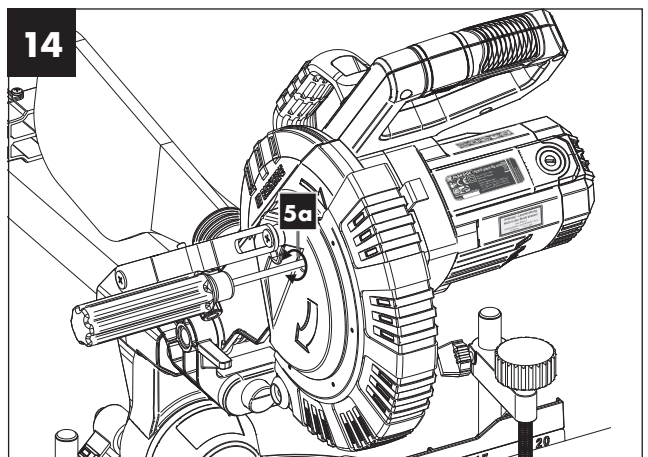
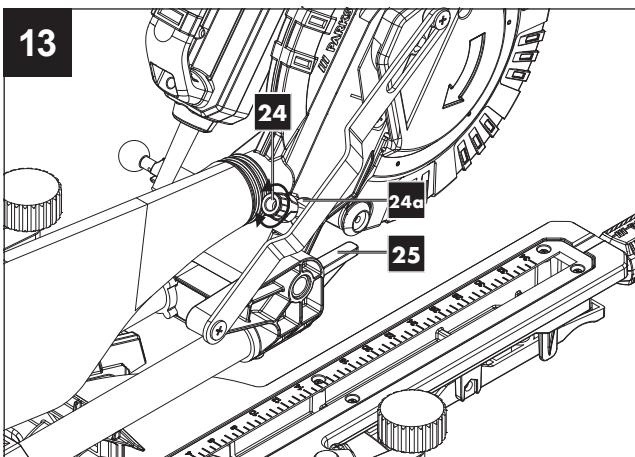
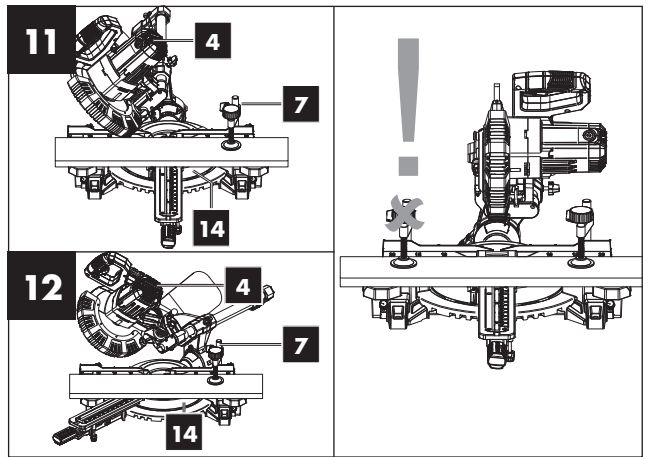
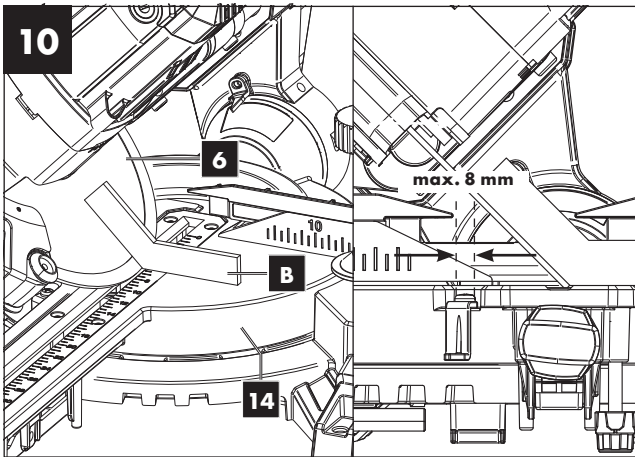
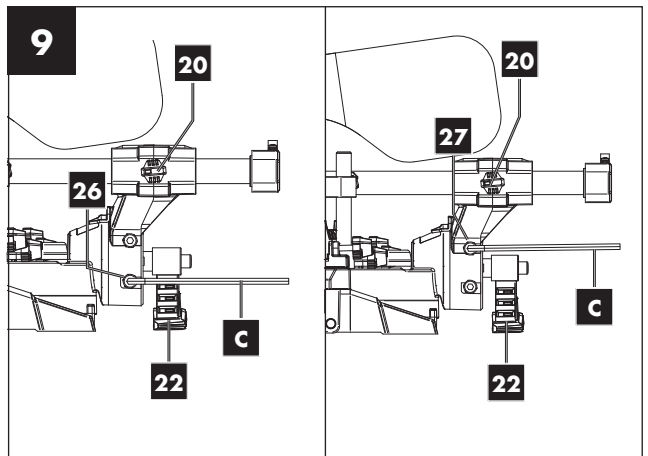
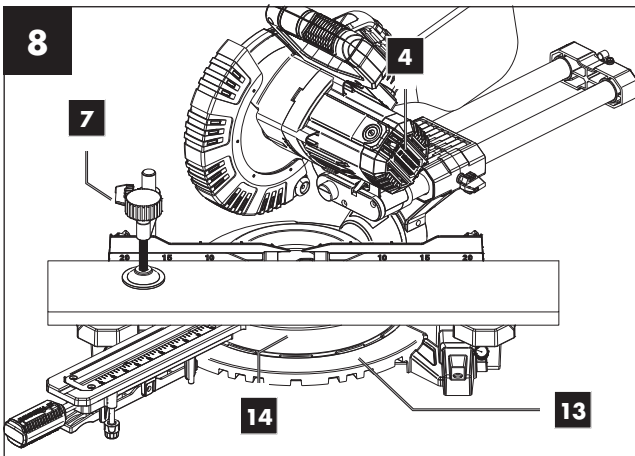
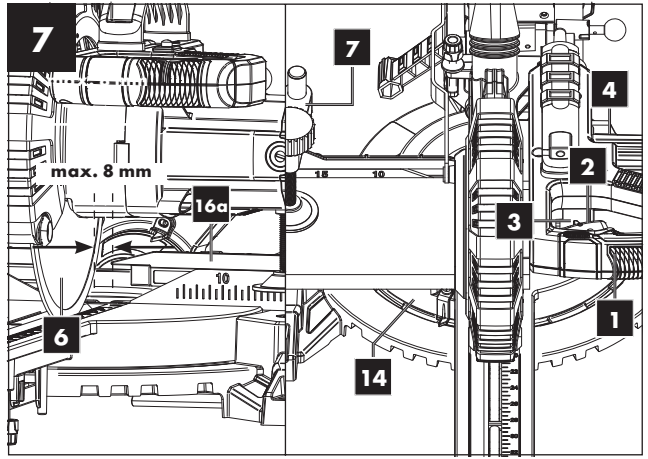
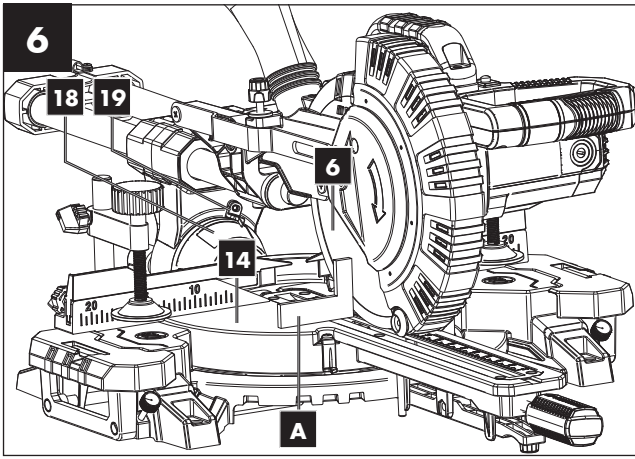
Antes de empezar a leer abra la página que contiene las imágenes y, en seguida, familiarícese con todas las funciones del dispositivo.

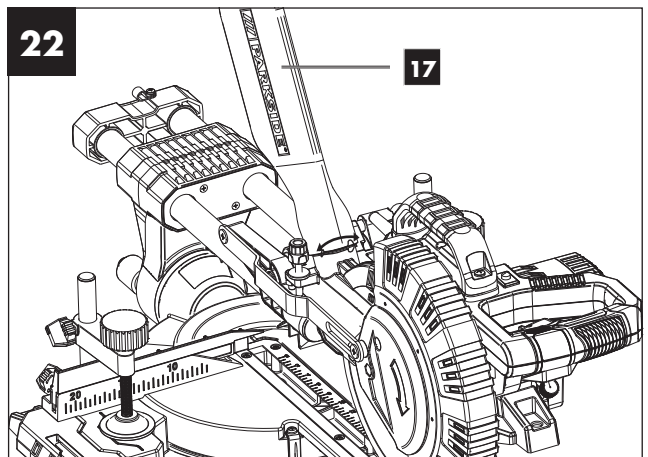
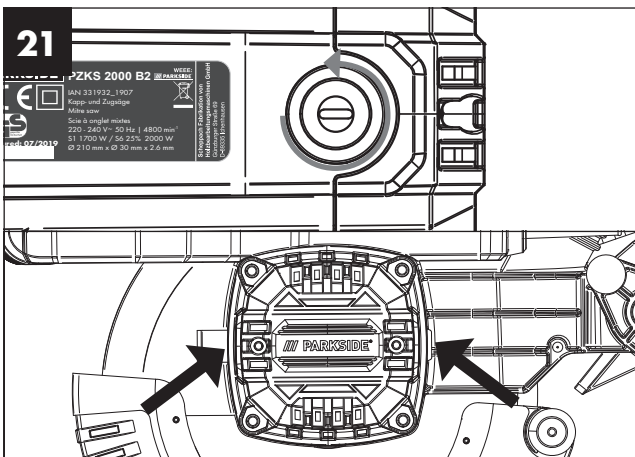
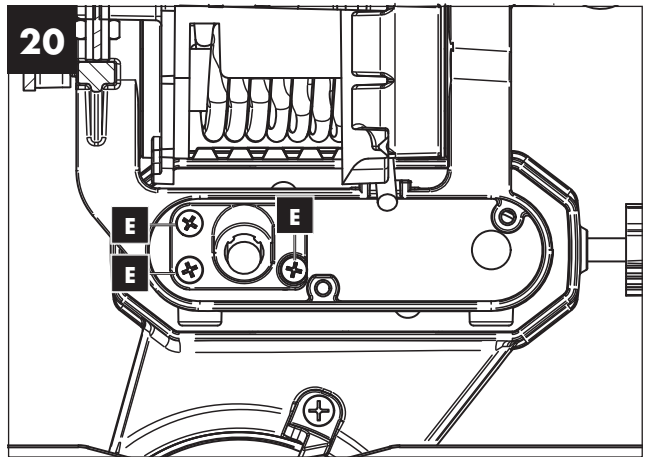
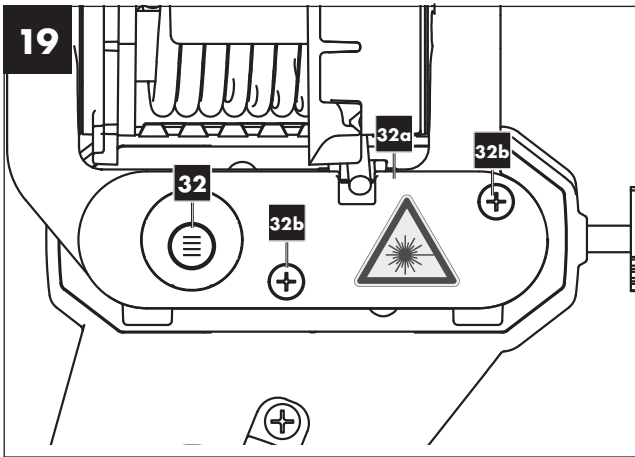
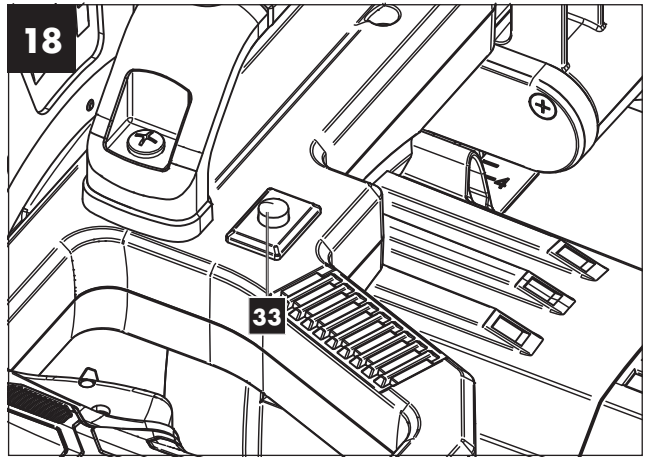
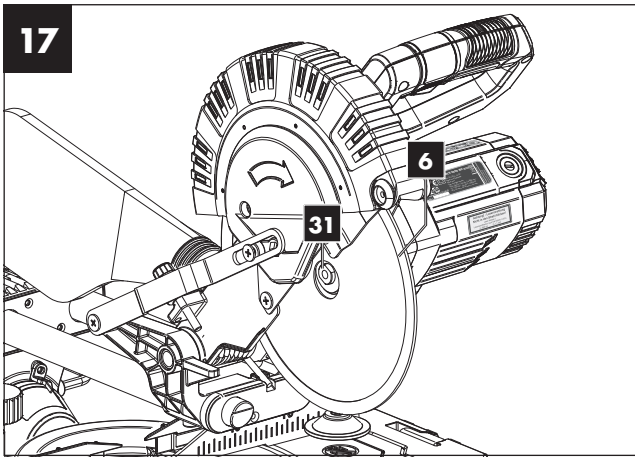
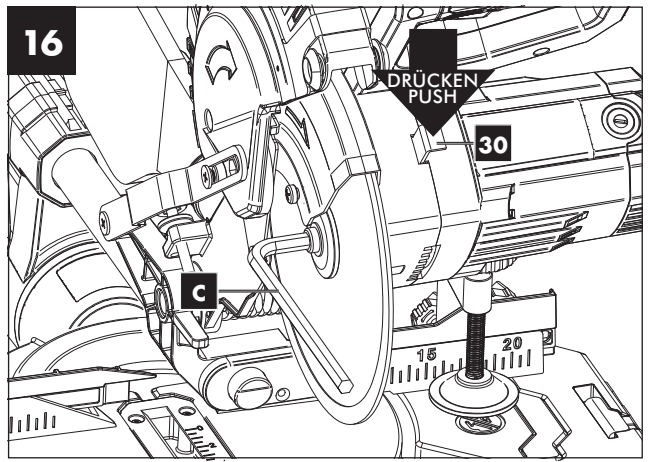
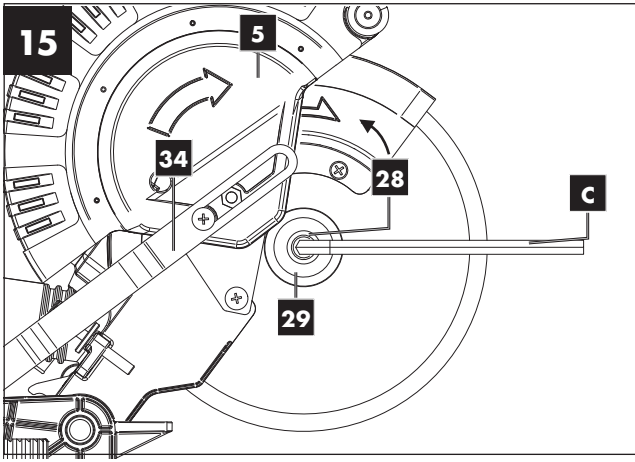
DK

Før du læser, vend siden med billeder frem og bliv bekendt med alle apparatets funktioner.

| | | | |
|--------------|--|--------|-----|
| GB / IE | Operating and Safety Instructions | Page | 01 |
| DE / AT / CH | Bedienungs- und Sicherheitshinweise | Seite | 15 |
| FR / BE | Consignes d'utilisation et de sécurité | Page | 30 |
| NL / BE | Bedienings- en veiligheidsinstructies | Pagina | 45 |
| CZ | Pokyny pro obsluhu a bezpečnostní pokyny | Strana | 59 |
| PL | Wskazówki dotyczące obsługi i bezpieczeństwa | Strona | 73 |
| SK | Pokyny pre obsluhu a bezpečnostné pokyny | Strana | 88 |
| ES | Instrucciones de utilización y de seguridad | Página | 102 |
| DK | Drifts- og sikkerhedsinstruktioner | Side | 117 |







| Table of contents: | Page: |
|--|-------|
| 1. Explanation of the symbols on the equipment | 2 |
| 2. Introduction..... | 3 |
| 3. Device description (fig. 1-22)..... | 3 |
| 4. Scope of delivery | 4 |
| 5. Intended use | 4 |
| 6. Safety information..... | 4 |
| 7. Technical data | 7 |
| 8. Before starting the equipment | 8 |
| 9. Attachment..... | 8 |
| 10. Operation | 9 |
| 11. Maintenance | 10 |
| 12. Transport..... | 11 |
| 13. Storage | 11 |
| 14. Electrical connection | 11 |
| 15. Disposal and recycling | 12 |
| 16. Troubleshooting..... | 13 |
| 17. Warranty certificate | 14 |
| 18. Declaration of conformity | 131 |

1. Explanation of the symbols on the equipment



GB IE

Before commissioning, read and observe the operating instructions and safety instructions!



GB IE

Wear safety goggles!



GB IE

Wear ear-muffs!



GB IE

Wear a breathing mask!



GB IE

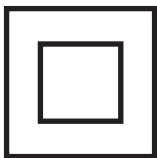
Important! Risk of injury. Never reach into the running saw blade!



Achtung! - Laserstrahlung
Nicht in den Strahl blicken!
Laser Klasse 2
Laserspezifikation nach EN 60825-1:2014
λ = 650 nm P_e < 1 mW

GB IE

Important! Laser radiation



GB IE

Protection Class II (double shielded)

2. Introduction

MANUFACTURER:

scheppach

Fabrikation von Holzbearbeitungsmaschinen GmbH
Günzburger Straße 69
D-89335 Ichenhausen

DEAR CUSTOMER,

We hope your new tool brings you much enjoyment and success.

NOTE:

According to the applicable product liability laws, the manufacturer of the device does not assume liability for damages to the product or damages caused by the product that occurs due to:

- Improper handling,
- Non-compliance of the operating instructions,
- Repairs by third parties, not by authorized service technicians,
- Installation and replacement of non-original spare parts,
- Application other than specified,
- A breakdown of the electrical system that occurs due to the non-compliance of the electric regulations and VDE regulations 0100, DIN 57113 / VDE0113.

We recommend:

Read through the complete text in the operating instructions before installing and commissioning the device.

The operating instructions are intended to help the user to become familiar with the machine and take advantage of its application possibilities in accordance with the recommendations. The operating instructions contain important information on how to operate the machine safely, professionally and economically, how to avoid danger, costly repairs, reduce downtimes and how to increase reliability and service life of the machine. In addition to the safety regulations in the operating instructions, you have to meet the applicable regulations that apply for the operation of the machine in your country.

Keep the operating instructions package with the machine at all times and store it in a plastic cover to protect it from dirt and moisture. Read the instruction manual each time before operating the machine and carefully follow its information.

The machine can only be operated by persons who were instructed concerning the operation of the machine and who are informed about the associated dangers. The minimum age requirement must be complied with.

In addition to the safety instructions contained in this operating manual and the specific regulations of your country, the technical rules generally accepted for the operation of machines of the same type must be observed.

We accept no liability for damage or accidents which arise due to non-observance of these instructions and the safety information.

3. Device description (fig. 1-22)

1. Handle
 2. ON/OFF switch
 3. Lock switch
 4. Machine head
 5. Moving saw blade guard
 - 5a. Locking screw
 6. Saw blade
 7. Clamping device
 - 7a. Star-grip screw
 8. Workpiece support
 9. Set screw for workpiece support
 10. Table insert
 11. Handle / Set screw for rotary table
 12. Pointer
 13. Scale
 14. Rotary table
 15. Fixed saw table
 16. Stop rail
 - 16a. Movable stop rail
 - 16b. Set screw
 17. Sawdust bag
 18. Angle screw
 19. Angle indicator
 20. Set screw for drag guide
 21. Drag guide
 22. Set screw
 23. Locking bolt
 24. Screw for cutting depth limiting
 - 24a. Knurled nut for cutting depth limiting
 25. Stop for cutting depth limiting
 26. Adjusting screw (90°)
 - 26a. Lock nut (90°)
 27. Adjusting screw (45°)
 - 27a. Lock nut (45°)
 28. Flange screw
 29. Outer flange
 30. Saw shaft lock
 31. Inner flange
 32. Laser
 - 32a. Laser housing cover
 - 32b. Phillips screw
 33. ON/OFF switch laser
 34. Guide bracket
 35. Latched position lever
 36. Tilt protection
 37. Length stop
 38. Adjustment screw
- A.) 90° stop angle (not supplied)
B.) 45° stop angle (not supplied)
C.) Allen key, 6 mm
D.) Allen key, 3 mm
E.) Phillips head screw (Laser)

4. Scope of delivery

- Crosscut, drag and mitre saw
- 2 x Clamping device (7)
- 2 x Workpiece support (8) (preassembled)
- Sawdust bag (17)
- Allen key 6 mm (C)
- Allen key 3 mm (D)
- Operating manual

5. Intended use

The crosscut, drag and mitre saw is designed to crosscut wood and plastic respective of the machine's size. The saw is not designed for cutting firewood.

Warning!

Do not use the saw to cut materials other than those specified described in manual.

Warning!

The supplied saw blade is only intended for the sawing of wood! Do not use this blade for the sawing of firewood!

The equipment is to be used only for its prescribed purpose. Any other use is deemed to be a case of misuse. The user / operator and not the manufacturer will be liable for any damage or injuries of any kind caused as a result of this.

The equipment is to be operated only with suitable saw blades. It is prohibited to use any type of cutting-off wheel.

To use the equipment properly you must also observe the safety information, the assembly instructions and the operating instructions to be found in this manual.

All persons who use and service the equipment have to be acquainted with this manual and must be informed about the equipment's potential hazards.

It is also imperative to observe the accident prevention regulations in force in your area.

The same applies for the general rules of health and safety at work.

The manufacturer will not be liable for any changes made to the equipment nor for any damage resulting from such changes.

Even when the equipment is used as prescribed it is still impossible to eliminate certain residual risk factors. The following hazards may arise in connection with the machine's construction and design:

- Contact with the saw blade in the uncovered saw zone.
- Reaching into the running saw blade (cut injuries).
- Kick-back of workpieces and parts of workpieces.
- Saw blade fracturing.
- Catapulting of faulty carbide tips from the saw blade.
- Damage to hearing if ear-muffs are not used as necessary.
- Harmful emissions of wood dust when used in closed rooms.

Please note that our equipment has not been designed for use in commercial, trade or industrial applications. Our warranty will be voided if the equipment is used in commercial, trade or industrial businesses or for equivalent purposes.

6. Safety information

General power tool safety warnings

⚠ WARNING! Read all safety warnings, instructions, illustrations and specifications provided with this power tool. Failure to follow all instructions listed below may result in electric shock, fire and/or serious injury.

Save all warnings and instructions for future reference.

The term "power tool" in the warnings refers to your mains-operated (corded) power tool or battery-operated (cordless) power tool.

1. Work area safety

- **Keep work area clean and well lit.** Cluttered or dark areas invite accidents.
- **Do not operate power tools in explosive atmospheres, such as in the presence of flammable liquids, gases or dust.** Power tools create sparks which may ignite the dust or fumes.
- **Keep children and bystanders away while operating a power tool.** Distractions can cause you to lose control.

2. Electrical safety

- **Power tool plugs must match the outlet. Never modify the plug in any way. Do not use any adapter plugs with earthed (grounded) power tools.** Unmodified plugs and matching outlets will reduce risk of electric shock.
- **Avoid body contact with earthed or grounded surfaces, such as pipes, radiators, ranges and refrigerators.** There is an increased risk of electric shock if your body is earthed or grounded.
- **Do not expose power tools to rain or wet conditions.** Water entering a power tool will increase the risk of electric shock.
- **Do not abuse the cord. Never use the cord for carrying, pulling or unplugging the power tool. Keep cord away from heat, oil, sharp edges or moving parts.** Damaged or entangled cords increase the risk of electric shock.
- **When operating a power tool outdoors, use an extension cord suitable for outdoor use.** Use of a cord suitable for outdoor use reduces the risk of electric shock.
- **If operating a power tool in a damp location is unavoidable, use a residual current device (RCD) protected supply.** Use of an RCD reduces the risk of electric shock.

3. Personal safety

- **Stay alert, watch what you are doing and use common sense when operating a power tool. Do not use a power tool while you are tired or under the influence of drugs, alcohol or medication.** A moment of inattention while operating power tools may result in serious personal injury.

- **Use personal protective equipment. Always wear eye protection.** Protective equipment such as a dust mask, non-skid safety shoes, hard hat or hearing protection used for appropriate conditions will reduce personal injuries.
- **Prevent unintentional starting. Ensure the switch is in the off-position before connecting to power source and/or battery pack, picking up or carrying the tool.** Carrying power tools with your finger on the switch or energising power tools that have the switch on invites accidents.
- **Remove any adjusting key or wrench before turning the power tool on.** A wrench or a key left attached to a rotating part of the power tool may result in personal injury.
- **Do not overreach. Keep proper footing and balance at all times.** This enables better control of the power tool in unexpected situations.
- **Dress properly. Do not wear loose clothing or jewellery. Keep your hair and clothing away from moving parts.** Loose clothes, jewellery or long hair can be caught in moving parts.
- **If devices are provided for the connection of dust extraction and collection facilities, ensure these are connected and properly used.** Use of dust collection can reduce dust-related hazards.
- **Do not let familiarity gained from frequent use of tools allow you to become complacent and ignore tool safety principles.** A careless action can cause severe injury within a fraction of a second.

4. Power tool use and care

- **Do not force the power tool.** Use the correct power tool for your application. The correct power tool will do the job better and safer at the rate for which it was designed.
- **Do not use the power tool if the switch does not turn it on and off.** Any power tool that cannot be controlled with the switch is dangerous and must be repaired.
- **Disconnect the plug from the power source and/or remove the battery pack, if detachable, from the power tool before making any adjustments, changing accessories, or storing power tools.** Such preventive safety measures reduce the risk of starting the power tool accidentally.
- **Store idle power tools out of the reach of children and do not allow persons unfamiliar with the power tool or these instructions to operate the power tool.** Power tools are dangerous in the hands of untrained users.
- **Maintain power tools and accessories. Check for misalignment or binding of moving parts, breakage of parts and any other condition that may affect the power tool's operation. If damaged, have the power tool repaired before use.** Many accidents are caused by poorly maintained power tools.

- **Keep cutting tools sharp and clean.** Properly maintained cutting tools with sharp cutting edges are less likely to bind and are easier to control.
- **Use the power tool, accessories and tool bits etc. in accordance with these instructions, taking into account the working conditions and the work to be performed.** Use of the power tool for operations different from those intended could result in a hazardous situation.
- **Keep handles and grasping surfaces dry, clean and free from oil and grease.** Slippery handles and grasping surfaces do not allow for safe handling and control of the tool in unexpected situations.

5. Service

- **Have your power tool serviced by a qualified repair person using only identical replacement parts.** This will ensure that the safety of the power tool is maintained.

Safety instructions for mitre saws

- Mitre saws are intended to cut wood or wood-like products, they cannot be used with abrasive cut-off wheels for cutting ferrous material such as bars, rods, studs, etc.** Abrasive dust causes moving parts such as the lower guard to jam. Sparks from abrasive cutting will burn the lower guard, the kerf insert and other plastic parts.
- Use clamps to support the workpiece whenever possible. If supporting the workpiece by hand, you must always keep your hand at least 100 mm from either side of the saw blade. Do not use this saw to cut pieces that are too small to be securely clamped or held by hand.** If your hand is placed too close to the saw blade, there is an increased risk of injury from blade contact.
- The workpiece must be stationary and clamped or held against both the fence and the table. Do not feed the workpiece into the blade or cut "freehand" in any way.** Unrestrained or moving workpieces could be thrown at high speeds, causing injury.
- Push the saw through the workpiece. Do not pull the saw through the workpiece. To make a cut, raise the saw head and pull it out over the workpiece without cutting, start the motor, press the saw head down and push the saw through the workpiece.** Cutting on the pull stroke is likely to cause the saw blade to climb on top of the workpiece and violently throw the blade assembly towards the operator.
- Never cross your hand over the intended line of cutting either in front or behind the saw blade.** Supporting the workpiece "cross handed" i.e. holding the workpiece to the right of the saw blade with your left hand or vice versa is very dangerous.
- Do not reach behind the fence with either hand closer than 100 mm from either side of the saw blade, to remove wood scraps, or for any other reason while the blade is spinning.** The proximity of the spinning saw blade to your hand may not be obvious and you may be seriously injured.

- g) Inspect your workpiece before cutting. If the workpiece is bowed or warped, clamp it with the outside bowed face toward the fence. Always make certain that there is no gap between the workpiece, fence and table along the line of the cut.** Bent or warped workpieces can twist or shift and may cause binding on the spinning saw blade while cutting. There should be no nails or foreign objects in the workpiece.
- h) Do not use the saw until the table is clear of all tools, wood scraps, etc., except for the workpiece.** Small debris or loose pieces of wood or other objects that contact the revolving blade can be thrown with high speed.
- i) Cut only one workpiece at a time.** Stacked multiple workpieces cannot be adequately clamped or braced and may bind on the blade or shift during cutting.
- j) Ensure the mitre saw is mounted or placed on a level, firm work surface before use.** A level and firm work surface reduces the risk of the mitre saw becoming unstable.
- k) Plan your work. Every time you change the bevel or mitre angle setting, make sure the adjustable fence is set correctly to support the workpiece and will not interfere with the blade or the guarding system.** Without turning the tool "ON" and with no workpiece on the table, move the saw blade through a complete simulated cut to assure there will be no interference or danger of cutting the fence.
- l) Provide adequate support such as table extensions, saw horses, etc. for a workpiece that is wider or longer than the table top.** Workpieces longer or wider than the mitre saw table can tip if not securely supported. If the cut-off piece or workpiece tips, it can lift the lower guard or be thrown by the spinning blade.
- m) Do not use another person as a substitute for a table extension or as additional support.** Unstable support for the workpiece can cause the blade to bind or the workpiece to shift during the cutting operation pulling you and the helper into the spinning blade.
- n) The cut-off piece must not be jammed or pressed by any means against the spinning saw blade.** If confined, i.e. using length stops, the cut-off piece could get wedged against the blade and thrown violently.
- o) Always use a clamp or a fixture designed to properly support round material such as rods or tubing.** Rods have a tendency to roll while being cut, causing the blade to "bite" and pull the work with your hand into the blade.
- p) Let the blade reach full speed before contacting the workpiece.** This will reduce the risk of the workpiece being thrown.
- q) If the workpiece or blade becomes jammed, turn the mitre saw off. Wait for all moving parts to stop and disconnect the plug from the power source and/or remove the battery pack. Then work to free the jammed material.** Continued sawing with a jammed workpiece could cause loss of control or damage to the mitre saw.
- r) After finishing the cut, release the switch, hold the saw head down and wait for the blade to stop before removing the cut-off piece.** Reaching with your hand near the coasting blade is dangerous.
- s) Hold the handle firmly when making an incomplete cut or when releasing the switch before the saw head is completely in the down position.** The braking action of the saw may cause the saw head to be suddenly pulled downward, causing a risk of injury.

Safety Instructions for the handling of saw blades

1. Do not use damaged or deformed saw blades.
2. Do not use any insertion tools with cracks. Sort out cracked insertion tools. Repairs are not permitted.
3. Do not use saw blades made of high speed steel.
4. Check the condition of the saw blades before using the crosscut, drag and mitre saw.
5. Make sure that a suitable saw blade for the material to be cut is selected.
6. Only use saw blades recommended by the manufacturer. Saw blades designed to cut wood and similar materials must comply with EN 847-1.
7. Do not use saw blades made of high-speed alloy steel (HSS steel).
8. Only use saw blades for which the maximum permissible speed is not lower than the maximum spindle speed of the crosscut, drag and mitre saw and which are suitable for the material to be cut.
9. Observe the saw blade direction of rotation.
10. Only insert the saw blade if you have mastered their use.
11. Observe the maximum speed. The maximum speed specified on the insertion tool may not be exceeded. If specified, observe the speed range.
12. Clean grease, oil and water off of the clamping surfaces.
13. Do not use any loose reducing rings or bushes for the reducing of holes on saw blades.
14. Make sure that fixed reducer rings for securing the insertion tool have the same diameter and have at least 1/3 of the cutting diameter.
15. Make sure that fixed reducer rings are parallel to each other.
16. Handle insertion tool with caution. They are ideally stored in the originally package or special containers. Wear protective gloves in order to improve grip and to further reduce the risk of injury.
17. Prior to the use of insertion tools, make sure that all protective devices are properly fastened.
18. Prior to use, make sure that the insertion tool meets the technical requirements of this electric tool and is properly fastened.
19. Only use the supplied saw blade for cutting wood, never for the processing of metals.
20. Only use saw blade diameters in accordance with the markings on the saw.
21. Use additional workpiece supports, if required for workpiece stability.
22. Workpiece support extensions must always be secured and used during work.

23. Replace table inserts when worn!
24. Avoid overheating of the saw teeth.
25. When sawing plastic, avoid melting of the plastic.
Use the appropriate saw blades for this purpose. Replace damaged or worn saw blades immediately.
When the saw blade overheats, stop the machine. Allow the saw blade to cool down before using the machine again.



Attention: Laser radiation
Do not stare into the beam
Class 2 laser



Protect yourself and you environment from accidents using suitable precautionary measures!

- Do not look directly into the laser beam with unprotected eyes.
- Never look into the path of the beam.
- Never point the laser beam towards reflecting surfaces and persons or animals. Even a laser beam with a low output can cause damage to the eyes.
- Caution - methods other than those specified here can result in dangerous radiation exposure.
- Never open the laser module. Unexpected exposure to the beam can occur.
- The laser may not be replaced with a different type of laser.
- Repairs of the laser may only be carried out by the laser manufacturer or an authorised representative.

Residual risks

The machine has been built according to the state of the art and the recognised technical safety requirements. However, individual residual risks can arise during operation.

- Health hazard due to electrical power, with the use of improper electrical connection cables.
- Furthermore, despite all precautions having been met, some non-obvious residual risks may still remain.
- Residual risks can be minimised if the „Safety information“ and the „Proper use“ are observed along with the whole of the operating instructions.
- Do not load the machine unnecessarily: excessive pressure when sawing will quickly damage the saw blade, which results in reduced output of the machine in the processing and in cut precision.
- When cutting plastic material, please always use clamps: the parts which should be cut must always be fixed between the clamps.
- Avoid accidental starting of the machine: the operating button may not be pressed when inserting the plug in an outlet.
- Use the tool that is recommended in this manual. In doing so, your machine provides optimal performance.
- Hands may never enter the processing zone when the machine is in operation.
- Release the handle button and switch off the machine prior to any operations.

Warning!

This electric tool generates an electromagnetic field during operation. This field can impair active or passive medical implants under certain conditions. In order to prevent the risk of serious or deadly injuries, we recommend that persons with medical implants consult with their physician and the manufacturer of the medical implant prior to operating the electric tool.

7. Technical data

| | |
|---|------------------------|
| AC motor..... | 220 - 240 V~ 50 Hz |
| Power S1..... | 1700 Watt |
| Operating mode..... | S6 25%* 2000W |
| Idle speed n ₀ | 4800 min ⁻¹ |
| Carbide saw blade..... | ∅ 210 x ∅ 30 x 2,6 mm |
| Number of teeth..... | 24 |
| Maximum tooth width of saw blade..... | 3 mm |
| Swivel range..... | -45° / 0° / +45° |
| Mitre cut..... | 0° to 45° to the left |
| Saw width at 90°..... | 340 x 65 mm |
| Saw width at 45°..... | 240 x 65 mm |
| Saw width at 2 x 45° (double mitre cut)..... | 240 x 38 mm |
| Protection class..... | II / |
| Weight..... | ca. 12,15 kg |
| Laser class..... | 2 |
| Wavelength of laser..... | 650 nm |
| Laser output..... | < 1 mW |

* S6, continuous operation periodic duty. Identical duty cycles with a period at load followed by a period at no load. Running time 10 minutes; duty cycle is 25% of the running time.

The work piece must have a minimum height of 3 mm and a minimum width of 10 mm. Make sure that the workpiece is always secured with the clamping device.

Noise

Total noise values determined in accordance with EN 62841.
Sound pressure level L_{PA}..... 96,5 dB(A)
Uncertainty K_{PA}..... 3 dB
Sound power level L_{WA}..... 109,5 dB(A)
Uncertainty K_{WA}..... 3 dB

Wear hearing protection.

The effects of noise can cause a loss of hearing

The above-mentioned noise emission values were measured in accordance with a standardised test procedure and can be used to compare one power tool with another.

The above-mentioned noise emission values can also be used for the preliminary assessment of exposure.

Warning:

- The noise emissions during the actual use of the power tool may differ from the above-mentioned values depending on the power tool being used, in particular on the type of work-piece being processed.

- Try to keep emissions as low as possible, for example by limiting your working time. In this regard, all the operational cycle phases must be taken into consideration (such as the times when the tool is switched off or running idle).

8. Before starting the equipment

- Open the packaging and remove the device carefully.
- Remove the packaging material as well as the packaging and transport bracing (if available).
- Check that the delivery is complete.
- Check the device and accessory parts for transport damage.
- If possible, store the packaging until the warranty period has expired.

ATTENTION

The device and packaging materials are not toys! Children must not be allowed to play with plastic bags, film and small parts! There is a risk of swallowing and suffocation!

- The equipment must be set up where it can stand securely. Secure the machine on a workbench, base frame or similar. Insert 4 screws (not included in the scope of delivery) into the holes on the fixed saw table (15). Tighten up the screws.
- Loosen the tilt protection (36) pre-installed at the bottom of the saw, completely pull it out and secure it with an Allen key (D).
- Adjust the adjusting screw (38) to the level of the tabletop to avoid wobbling of the machine.
- All covers and safety devices have to be properly fitted before the equipment is switched on.
- It must be possible for the blade to run freely.
- When working with wood that has been processed before, watch out for foreign bodies such as nails or screws, etc.
- Before you press the ON/OFF switch check that the saw blade is fitted correctly. Moving parts must run smoothly.
- Before you connect the equipment to the power supply make sure the data on the rating plate are identical to the mains data.

8.1 Checking the moving saw blade guard safety device (5)

The saw blade guard protects against accidental contact with the saw blade and from chips flying around.

Check function

To do so, fold the saw downwards:

- The saw blade guard must provide free access to the saw blade without touching other parts.
- When folding the saw upwards into the starting position, the saw blade guard must cover the saw blade automatically.

9. Attachment

9.1 Attaching the crosscut, drag and mitre saw (fig. 1/2/4)

- In order to adjust the rotary table (14), loosen the handle (11) approximately 2 turns and pull up the latched position lever (35) with your index finger.

- Turn the rotary table (14) and pointer (12) to the desired angle measurement on the scale (13) and use the handle (11) to secure it.
- Press the machine head (4) down lightly. The saw is unlocked from the lower position by at the same time, pulling out and turning the locking pin (23) from the engine mount.
- Turn the locking bolt (23) 90 degrees to secure it in the unlocked position.
- Swing the machine head (4) up.
- It is possible to secure the clamping devices (7) to the left or right on the fixed saw table (15). Insert the clamping devices (7) in the holes on the rear side of the stop rail (16) and secure it with the star grip screws (7a). For 0°- 45° mitre cuts, the clamping device (7) must only be mounted on the right side (see fig. 11-12).
- It is possible to tilt the machine head (4) a max. 45° to the left by loosening the set screw (22).
- Workpiece supports (8) must always be secured and used during work. Set the desired table size by loosening the set screw (9). Then tighten the set screw (9) again.

9.2 Sawdust bag (fig. 1/22)

The saw is equipped with a debris bag (17) for sawdust and chips.

Squeeze the wings of the metal ring on the dust bag (17) together and slide it over the discharge port near the engine.

The debris bag (17) can be emptied by means of a zipper at the bottom.

9.2.1 Connection to an external dust extractor

- Connect the vacuum hose with the dust extraction spout.
- The industrial vacuum cleaner must be suitable for the material being worked.
- When vacuuming dust that is especially detrimental to health or carcinogenic, use a special vacuum cleaner.

9.3 Precision adjustment of the stop for crosscut 90° (fig. 1/2/5/6)

Tools required:

- Allen key 6 mm
- Open-ended spanner SW13 (not included in the scope of delivery)

• No stop angle included.

- Lower the machine head (4) and secure it using the locking bolt (23).
- Loosen the set screw (22).
- Position the angle stop (A) between the saw blade (6) and the rotary table (14).
- Loosen the lock nut (26a).
- Adjust the adjusting screw (26) until the angle between the saw blade (6) and rotary table (14) is 90°.
- Tighten the lock nut (26a) again.
- Subsequently check the position of the angle indicator. If necessary loosen the pointer (19) using a Phillips screwdriver, set to position 0° on the angle scale (18) and re-tighten the retaining screw.

9.4 Precision adjustment of the stop for mitre cut 45° (fig. 1/2/5/9/10)

Tools required:

- Allen key 6 mm
- Open-ended spanner SW13 (not included in the scope of delivery)

• No stop angle included.

- Lower the machine head (4) and secure it using the locking bolt (23).
- Fix the rotary table (14) in the 0° position.

Attention!

For bevel cuts (inclined saw head), the moveable stop rail (16a) must be fixed in the outer position. **(Left side)**.

- Open the set screw (16b) for the moveable stop rail (16a) and push the moveable stop rail (16a) outwards.
- The moveable stop rails (16a) must be locked so that the distance between the stop rails (16a) and the saw blade (6) is at least 8 mm.
- The moveable stop rail (28) must be fixed in the inner position. **(Right side)**.
- Before making a cut, check that the stop rail (16a) and the saw blade (6) cannot collide.
- Loosen the set screw (22) and use the handle (1) to angle the machine head (4) 45° to the left.
- 45° - position angle stop (B) between the saw blade (6) and rotary table (14).
- Loosen the lock nut (27a) and adjust the screw (27) until the angle between the saw blade (6) and the rotary table (14) is precisely 45°.
- Tighten the lock nut (27a) again.
- Subsequently check the position of the angle indicator. If necessary, loosen the pointer (19) using a Phillips screwdriver, set to position 45° on the angle scale (18) and re-tighten the retaining screw.

10. Operation

10.1 Using the laser (fig. 18)

- **To switch on:** Press the ON/OFF switch laser (33) 1x. A laser line is projected onto the material you wish to process, providing an exact guide for the cut.
- **To switch off:** Press again the ON/OFF switch laser (33).

10.2 Limiting the cutting depth (cutting grooves) (fig. 3/13)

⚠ WARNING

Risk of kickback! When cutting grooves, it is particularly important that no lateral pressure is exerted on the saw blade. Otherwise, the saw head might suddenly kick back! Use a clamping device when cutting grooves. Avoid lateral pressure on the saw head.

- The cutting depth can be infinitely adjusted using the screw (24). To do this loosen the knurled nut (24a) on the screw (24). Turn the screw (24) in or out to set the required cutting depth. Then re-tighten the knurled nut (24a) on the screw (24).
- Check the setting by completing a test cut.

10.3 Serial cutting

For repeated cuts of the same length, the length stop (37) can be opened. You can use the length stop (37) on the right and on the left.

- Fold up the length stop (37).
- Loosen the set screw for workpiece support (9).
- Pull out the workpiece support (8).
- Set the required dimension between saw blade and length stop (37).
- Re-tighten the set screw for workpiece support (9).
- Perform cutting as described in sections 10.4 to 10.7.

10.4 Crosscut 90° and turntable 0° (fig. 1/2/7)

In the case of cutting widths up to approx. 100 mm it is possible to fix the traction function of the saw with the set screw (20) in the rear position. In this position the machine can be operated in cross cutting mode. If the cutting width is over 100 mm then it is necessary to ensure that the set screw (20) is loose and the machine head (4) can move.

Attention!

For 90° crosscuts, the moveable stop rail (16a) must be fixed in the inner position.

- Open the set screw (16b) for the moveable stop rail (16a) and push the moveable stop rail (16a) inwards.
- The moveable stop rails (16a) must be locked so that the distance between the stop rails (16a) and the saw blade (6) is no more than 8 mm.
- Before making the cut, check that the stop rails (16a) and the saw blade (6) cannot collide.
- Re-tighten the set screw (16b).
- Move the machine head (4) to its upper position.
- Use the handle (1) to push back the machine head (4) and fix it in this position if required (dependent on the cutting width).
- Place the piece of wood to be cut at the stop rail (16) and on the turntable (14).
- Lock the material with the clamping devices (7) on the fixed saw table (15) to prevent the material from moving during the cutting operation.
- Release the lock switch (3) and press the ON/OFF switch (2) to start the motor.
- **With the drag guide (21) fixed in place (21):** use the handle (1) to move the machine head (4) steadily and with light pressure downwards until the saw blade (6) has completely cut through the work piece.
- **With the drag guide (21) not fixed in place (21):** pull the machine head (4) all the way to the front. Lower the handle (1) to the very bottom by applying steady and light downward pressure. Now push the machine head (4) slowly and steadily to the very back until the saw blade (6) has completely cut through the work piece.
- When the cutting operation is completed, move the machine head back to its upper (home) position and release the ON/OFF button (2).

Attention! The machine executes an upward stroke automatically due to the return spring, i.e. do not release the handle (1) after completing the cut; instead allow the machine head to move upwards slowly whilst applying light counter pressure.

10.5 Crosscut 90° and turntable 0° - 45° (fig. 1/7/8)

The crosscut, drag and mitre saw can be used to make crosscuts of 0° - 45° to the left and 0° - 45° to the right in relation to the stop rail.

Important!

For 90° crosscuts, the moveable stop rail (16a) must be fixed in the inner position.

- Open the set screw (16b) for the moveable stop rail (16a) and push the moveable stop rail (16a) inwards.
- The moveable stop rails (16a) must be locked so that the distance between the stop rails (16a) and the saw blade (6) is at least 8 mm.
- Before making the cut, check that the stop rails (16a) and the saw blade (6) cannot collide.
- Secure the set screw (16b) again.
- Loosen the handle (11) if it is tightened. Pull the indexed position lever (35) upwards with the pointer finger. Adjust the rotary table (14) to the desired angle using the handle (11).
- The pointer (12) on the rotary table must match the desired angle on the scale (13) on the fixed saw table (15).
- Re-tighten the handle (11) to secure the rotary table (14).
- Cut as described under section 10.4.

10.6 Mitre cut 0° - 45° and turntable 0° (fig. 1/2/11)

The crosscut, drag and mitre saw can be used to make mitre cuts of 0° - 45° in relation to the work face.

Attention!

For bevel cuts (inclined saw head), the moveable stop rail (16a) must be fixed in the outer position. **(Left side)**.

- Open the set screw (16b) for the moveable stop rail (16a) and push the moveable stop rail (16a) outwards.
- The moveable stop rails (16a) must be locked so that the distance between the stop rails (16a) and the saw blade (6) is at least 8 mm.
- The moveable stop rail (28) must be fixed in the inner position. **(Right side)**.
- Before making a cut, check that the stop rail (16a) and the saw blade (6) cannot collide.
- Secure the set screw (16b) again.
- Move the machine head (4) to the top position.
- Fix the rotary table (14) in the 0° position.
- Loosen the set screw (22). Use the handle (1) to angle the machine head (4) to the left, until the pointer (19) indicates the desired angle measurement on the scale (18).
- Re-tighten the set screw (22).
- Cut as described in section 10.4.

10.7 Mitre cut 0° - 45° and turntable 0° - 45° (fig. 1/2/4/12)

The crosscut, drag and mitre saw can be used to make mitre cuts to the left of 0° - 45° in relation to the work face and, at the same time, 0° - 45° to the left or 0° - 45° to the right in relation to the stop rail (double mitre cut).

Attention!

For bevel cuts (inclined saw head), the moveable stop rail (16a) must be fixed in the outer position. **(Left side)**.

- Open the set screw (16b) for the moveable stop rail (16a) and push the moveable stop rail (16a) outwards.

- The moveable stop rails (16a) must be locked so that the distance between the stop rails (16a) and the saw blade (6) is at least 8 mm.
- Before making a cut, check that the stop rails (16a) and the saw blade (6) cannot collide.
- Re-tighten the set screw (16b).
- Move the machine head (4) to its upper position.
- Release the rotary table (14) by loosening the handle (11).
- Using the handle (11), set the rotary table (14) to the desired angle (refer also to point 10.5 in this regard).
- Re-tighten the handle (11) to secure the rotary table (14).
- Undo the set screw (22).
- Use the handle (1) to tilt the machine head (4) to the left until it coincides with the required angle value (in this connection see also section 10.6).
- Re-tighten the set screw (22).
- Cut as described under section 10.4.

11. Maintenance

⚠ Warning! Prior to any adjustment, maintenance or service work disconnect the mains power plug!

11.1 General maintenance measures

Wipe chips and dust off the machine from time to time using a cloth. In order to extend the service life of the tool, oil the rotary parts once monthly. Do not oil the motor.

When cleaning the plastic do not use corrosive products.

11.2 Cleaning the moving saw blade guard safety device (5)

Always check the saw blade guard for debris before using the machine.

Remove old sawdust and splinters using a brush or similar tool.

11.3 Replacing the table insert

Danger!

With a damaged table insert (10) there is a risk of small parts getting stuck between table insert and saw blade, blocking the saw blade. **Immediately replace damaged table inserts!**

1. Remove screws at table insert. If required, turn rotary table and incline saw head to be able to reach the screws.
2. Remove table insert.
3. Install new table insert.
4. Tighten the screws at table insert.

11.4 Brush inspection

Check the carbon brushes after the first 50 operating hours with a new machine, or when new brushes have been fitted. After carrying out the first check, repeat the check every 10 operating hours.

If the carbon is worn to a length of 6 mm, or if the spring or contact wire are burned or damaged, it is necessary to replace both brushes. If the brushes are found to be usable following removal, it is possible to reinstall them.

When servicing the carbon brushes, open the two latches counterclockwise (as shown in Figure 21). Then remove the carbon brushes.

Replace the carbon brushes in the reverse order.

11.5 Changing the saw blade (fig. 1/2/14-17)

Remove the power plug!

Important!

Wear safety gloves when changing the saw blade.

Risk of injury!

- Swing the machine head (4) upwards and lock with the locking bolt (23).
- Loosen the retaining screw (5a) of the cover using a Phillips screwdriver.

WARNING!

Do not fully remove this screw.

- Fold the saw blade guard (5) upwards until the saw blade guard (5) is above the flange screw (28).
- With one hand insert the Allen key (C) in the flange screw (28).
- Hold the Allen key (C) and slowly close the saw blade guard (5) until it touches the Allen key (C).
- Firmly press the saw shaft lock (30) and slowly rotate the flange screw (28) in clockwise direction. The saw shaft lock (30) engages after no more than one rotation.
- Now, using a little more force, slacken the flange screw (28) in the clockwise direction.
- Turn the flange screw (28) right out and remove the outer flange (29).
- Take the blade (6) off the inner flange (31) and pull out downwards.
- Carefully clean the flange screw (28), outer flange (29) and inner flange (31).
- Fit and fasten the new saw blade (6) in reverse order.
- Fold the saw blade guard (5) downwards until the saw blade guard (5) engages in the locking screw (5a).
- Re-tighten the locking screw (5a).

Important!

The cutting angle of the teeth, in other words the direction of rotation of the saw blade (6) must coincide with the direction of the arrow on the housing.

- Before continuing your work make sure that all safety devices are in good working condition.

Important!

Every time that you change the saw blade (6), check to see that it spins freely in the table insert (10) in both perpendicular and 45° angle settings.

Important!

The work to change and align the saw blade (6) must be carried out correctly.

11.6 Adjusting the laser (fig. 19-20)

If the laser (32) ceases to indicate the correct cutting line, you can readjust the laser. To do so, open the screws (32b) and remove the front cover (32a). Loosen the Phillips head screws (E). Set the laser by moving sideways until the laser beam strikes the teeth of the saw blade (6).

After adjusting and tightening the laser, mount the front cover by tightening both screws (32b) by hand.

The machine must be connected to the mains in order to adjust the laser.

Attention!

Never press the ON/OFF switch (2) when adjusting the laser. Danger of injury!

11.7 Service information

Please note that the following parts of this product are subject to normal or natural wear and that the following parts are therefore also required for use as consumables.

Wear parts*: carbon brushes, saw blade, table insert (art. no. 5901215010), saw dust bag

* Not necessarily included in the scope of delivery!

12. Transport

- Tighten the handle (11) to lock the rotary table.
- Press the machine head (4) downwards and secure with the locking bolt (23).
- Fix the saw's drag function with the locking screw for drag guide (20) in rear position.
- Carry the equipment by the fixed saw table (15).
- When reassembling the equipment proceed as described under section 8 and 9.

13. Storage

Store the device and its accessories in a dark, dry and frost-proof place that is inaccessible to children. The optimum storage temperature is between 5 and 30°C.

Store the electrical tool in its original packaging.

Cover the electrical tool in order to protect it from dust and moisture.

Store the operating manual with the electrical tool.

14. Electrical connection

The electrical motor installed is connected and ready for operation. The connection complies with the applicable VDE and DIN provisions. The customer's mains connection as well as the extension cable used must also comply with these regulations.

- The product meets the requirements of EN 61000-3-11 and is subject to special connection conditions. This means that use of the product at any freely selectable connection point is not allowed.
- Given unfavourable conditions in the power supply the product can cause the voltage to fluctuate temporarily.
- The product is intended solely for use at connection points where the following prerequisites apply:
 - a) A maximum permitted supply impedance "Z" ($Z_{max} = 0.339 \Omega$) must not be exceeded.
 - b) A continuous current-carrying capacity of the mains of at least 100 A per phase must be given.
- As the user, you are required to ensure that the connection point at which you wish to operate the product meets one of the two requirements, a) or b), mentioned above. As necessary, consult your electric power company.

Important information

In the event of an overloading the motor will switch itself off. After a cool-down period (time varies) the motor can be switched back on again.

Damaged electrical connection cable

The insulation on electrical connection cables is often damaged.

This may have the following causes:

- Passage points, where connection cables are passed through windows or doors.
- Kinks where the connection cable has been improperly fastened or routed.
- Places where the connection cables have been cut due to being driven over.
- Insulation damage due to being ripped out of the wall outlet.
- Cracks due to the insulation ageing.

Such damaged electrical connection cables must not be used and are life-threatening due to the insulation damage.

Check the electrical connection cables for damage regularly. Make sure that the connection cable does not hang on the power network during the inspection.

Electrical connection cables must comply with the applicable VDE and DIN provisions. Only use connection cables of the same designation.

The printing of the type designation on the connection cable is mandatory.

If the power cord of this device is damaged, it must be replaced by a special power cord, which is available from the manufacturer or its service department.

AC motor:

The mains voltage must be 220 - 240 V~.

- Extension cables up to 25 m long must have a cross-section of 1.5 mm².

Connections and repairs of electrical equipment may only be carried out by an electrician.

Please provide the following information in the event of any enquiries:

- Type of current for the motor
- Machine data - type plate

15. Disposal and recycling

The equipment is supplied in packaging to prevent it from being damaged in transit. The raw materials in this packaging can be reused or recycled.

The equipment and its accessories are made of various types of material, such as metal and plastic. Defective components must be disposed of as special waste. Ask your dealer or your local council.



The packaging is wholly composed of environmentally-friendly materials that can be disposed of at a local recycling centre.

Contact your local refuse disposal authority for more details of how to dispose of your worn-out electrical devices.

Old devices must not be disposed of with household waste!



This symbol indicates that this product must not be disposed of together with domestic waste in compliance with the Directive (2012/19/EU) pertaining to waste electrical and electronic equipment (WEEE). This product must be disposed of at a designated collection point. This can occur, for example, by handing it in at an authorised collecting point for the recycling of waste electrical and electronic equipment. Improper handling of waste equipment may have negative consequences for the environment and human health due to potentially hazardous substances that are often contained in electrical and electronic equipment. By properly disposing of this product, you are also contributing to the effective use of natural resources. You can obtain information on collection points for waste equipment from your municipal administration, public waste disposal authority, an authorised body for the disposal of waste electrical and electronic equipment or your waste disposal company.

16. Troubleshooting

| Fault | Possible cause | Remedy |
|--|--|---|
| Motor does not work | Motor, cable or plug defective, fuses burnt | Arrange for inspection of the machine by a specialist. Never repair the motor yourself. Danger! Check fuses and replace as necessary |
| The motor starts up slowly and does not reach operating speed. | Voltage too low, coils damaged, capacitor burnt | Have an electrician check the voltage. Arrange for inspection of the motor by a specialist. Arrange for replacement of the capacitor by a specialist |
| Motor makes excessive noise | Coils damaged, motor defective | Arrange for inspection of the motor by a specialist |
| The engine does not reach full power. | Circuits in the network are overloaded (lamps, other motors, etc.) | Do not use any other equipment or motors on the same circuit |
| Motor overheats easily. | Overloading of the motor, insufficient cooling of the motor | Avoid overloading the motor while cutting, remove dust from the motor in order to ensure optimal cooling of the motor |
| Saw cut is rough or wavy | Saw blade dull, tooth shape not appropriate for the material thickness | Re-sharpen saw blade and/or use suitable saw blade |
| Workpiece pulls away and/or splinters | Excessive cutting pressure and/or saw blade not suitable for use | Insert suitable saw blade |

17. Warranty certificate

Dear Customer,

All of our products undergo strict quality checks to ensure that they reach you in perfect condition. In the unlikely event that your device develops a fault, please contact our service department at the address shown on this guarantee card. Of course, if you would prefer to call us then we are also happy to offer our assistance under the service number printed below. Please note the following terms under which guarantee claims can be made:

- These guarantee terms cover additional guarantee rights and do not affect your statutory warranty rights. We do not charge you for this guarantee.
- Our guarantee only covers problems caused by material or manufacturing defects, and it is restricted to the rectification of these defects or replacement of the device. Please note that our devices have not been designed for use in commercial, trade or industrial applications. Consequently, the guarantee is invalidated if the equipment is used in commercial, trade or industrial applications or for other equivalent activities. The following are also excluded from our guarantee: compensation for transport damage, damage caused by failure to comply with the installation/assembly instructions or damage caused by unprofessional installation, failure to comply with the operating instructions (e.g. connection to the wrong mains voltage or current type), misuse or inappropriate use (such as overloading of the device or use of non-approved tools or accessories), failure to comply with the maintenance and safety regulations, ingress of foreign bodies into the device (e.g. sand, stones or dust), effects of force or external influences (e.g. damage caused by the device being dropped) and normal wear resulting from proper operation of the device.

The guarantee is rendered null and void if any attempt is made to tamper with the device.

- The guarantee is valid for a period of 3 years starting from the purchase date of the device. Guarantee claims should be submitted before the end of the guarantee period within two weeks of the defect being noticed. No guarantee claims will be accepted after the end of the guarantee period. The original guarantee period remains applicable to the device even if repairs are carried out or parts are replaced. In such cases, the work performed or parts fitted will not result in an extension of the guarantee period, and no new guarantee will become active for the work performed or parts fitted. This also applies when an on-site service is used.
- In order to assert your guarantee claim, please contact the service partner shown below. If the complaint is within the guarantee period, we will provide you with a return slip, with which you can return your defective device free of charge to us. It would help us if you could describe the nature of the problem in as much detail as possible. If the defect is covered by our guarantee then your device will either be repaired immediately and returned to you, or we will send you a new device.

Of course, we are also happy offer a chargeable repair service for any defects which are not covered by the scope of this guarantee or for units which are no longer covered. To take advantage of this service, please send the device to our service address.

Service-Hotline (GB/IE):

+800 4003 4003
(0,00 EUR/Min.)

Service-Email (GB):

service.GB@schepach.com

Service-Email (IE):

service.IE@schepach.com

Service Address (GB/IE):

Forest Park & Garden
Coed Court, Taffsmead Road
Treforest, Ind. Estate, Pontypridd CF375SW



At www.lidl-service.com you can download this and many more manuals, product videos plus installation software.

The QR code takes you directly to the Lidl service page (www.lidl-service.com) and you can open your operating manual by entering the article number (IAN) 338493_2007.

| Inhalt: | Seite: |
|---|--------|
| 1. Erklärung der Symbole auf dem Gerät..... | 16 |
| 2. Einleitung | 17 |
| 3. Gerätebeschreibung (Abb. 1-22) | 17 |
| 4. Lieferumfang | 18 |
| 5. Bestimmungsgemäße Verwendung..... | 18 |
| 6. Sicherheitshinweise | 18 |
| 7. Technische Daten | 22 |
| 8. Vor Inbetriebnahme..... | 23 |
| 9. Aufbau | 23 |
| 10. Bedienung..... | 24 |
| 11. Wartung..... | 25 |
| 12. Transport | 26 |
| 13. Lagerung..... | 26 |
| 14. Elektrischer Anschluss..... | 27 |
| 15. Entsorgung und Wiederverwertung..... | 27 |
| 16. Störungsabhilfe | 28 |
| 17. Garantiekunde | 29 |
| 18. Konformitätserklärung..... | 131 |

1. Erklärung der Symbole auf dem Gerät



DE AT CH

Vor Inbetriebnahme Bedienungsanleitung und Sicherheitshinweise lesen und beachten!



DE AT CH

Schutzbrille tragen!



DE AT CH

Gehörschutz tragen!



DE AT CH

Bei Staubentwicklung Atemschutz tragen!



DE AT CH

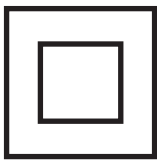
Achtung! Verletzungsgefahr! Nicht in das laufende Sägeblatt greifen!



Achtung! - Laserstrahlung
Nicht in den Strahl blicken!
Laser Klasse 2
Laserspezifikation nach EN 60825-1:2014
λ = 650 nm P_e < 1 mW

DE AT CH

Achtung! Laserstrahlung



DE AT CH

Schutzklasse II (Doppelisolierung)

2. Einleitung

HERSTELLER:

scheppach

Fabrikation von Holzbearbeitungsmaschinen GmbH
Günzburger Straße 69
D-89335 Ichenhausen

VEREHRTER KUNDE,

Wir wünschen Ihnen viel Freude und Erfolg beim Arbeiten mit Ihrem neuen Gerät.

HINWEIS:

Der Hersteller dieses Gerätes haftet nach dem geltenden Produkthaftungsgesetz nicht für Schäden, die an diesem Gerät oder durch dieses Gerät entstehen bei:

- unsachgemäßer Behandlung,
- Nichtbeachtung der Bedienungsanweisung,
- Reparaturen durch Dritte, nicht autorisierte Fachkräfte,
- Einbau und Austausch von nicht originalen Ersatzteilen,
- nicht bestimmungsgemäßer Verwendung,
- Ausfällen der elektrischen Anlage bei Nichtbeachtung der elektrischen Vorschriften und VDE-Bestimmungen 0100, DIN 57113 / VDE0113.

Beachten Sie:

Lesen Sie vor der Montage und vor Inbetriebnahme den gesamten Text der Bedienungsanleitung durch.

Diese Bedienungsanleitung soll es Ihnen erleichtern, Ihr Gerät kennenzulernen und dessen bestimmungsgemäße Einsatzmöglichkeiten zu nutzen.

Die Bedienungsanleitung enthält wichtige Hinweise, wie Sie mit dem Gerät sicher, fachgerecht und wirtschaftlich arbeiten, und wie Sie Gefahren vermeiden, Reparaturkosten sparen, Ausfallzeiten verringern und die Zuverlässigkeit und Lebensdauer des Gerätes erhöhen.

Zusätzlich zu den Sicherheitsbestimmungen dieser Bedienungsanleitung müssen Sie unbedingt die für den Betrieb des Gerätes geltenden Vorschriften Ihres Landes beachten.

Bewahren Sie die Bedienungsanleitung, in einer Plastikhülle geschützt vor Schmutz und Feuchtigkeit, bei dem Gerät auf. Sie muss von jeder Bedienungsperson vor Aufnahme der Arbeit gelesen und sorgfältig beachtet werden.

An dem Gerät dürfen nur Personen arbeiten, die im Gebrauch des Gerätes unterwiesen und über die damit verbundenen Gefahren unterrichtet sind. Das geforderte Mindestalter ist einzuhalten.

Neben den in dieser Bedienungsanleitung enthaltenen Sicherheitshinweisen und den besonderen Vorschriften Ihres Landes sind die für den Betrieb von baugleichen Maschinen allgemein anerkannten technischen Regeln zu beachten.

Wir übernehmen keine Haftung für Unfälle oder Schäden, die durch Nichtbeachten dieser Anleitung und den Sicherheitshinweisen entstehen.

3. Gerätebeschreibung (Abb. 1-22)

1. Handgriff
 2. Ein-/Ausschalter
 3. Sperrschalter
 4. Maschinenkopf
 5. Sägeblattschutz beweglich
 - 5a. Befestigungsschraube
 6. Sägeblatt
 7. Spannvorrichtung
 - 7a. Sterngriffschraube
 8. Werkstückauflage
 9. Feststellschraube für Werkstückauflage
 10. Tischeinlage
 11. Handgriff / Feststellschraube für Drehtisch
 12. Zeiger
 13. Skala
 14. Drehtisch
 15. Feststehender Säge Tisch
 16. Anschlagsschiene
 - 16a. Verschiebbare Anschlagsschiene
 - 16b. Feststellschraube
 17. Spänefangsack
 18. Winkelskala
 19. Winkelzeiger
 20. Feststellschraube für Zugführung
 21. Zugführung
 22. Feststellschraube
 23. Sicherungsbolzen
 24. Schraube für Schnitttiefenbegrenzung
 - 24a. Rändelmutter für Schnitttiefenbegrenzung
 25. Anschlag für Schnitttiefenbegrenzung
 26. Justierschraube (90°)
 - 26a. Kontermutter (90°)
 27. Justierschraube (45°)
 - 27a. Kontermutter (45°)
 28. Flanschschraube
 29. Außenflansch
 30. Sägewellensperre
 31. Innenflansch
 32. Laser
 - 32a. Lasergehäuse Abdeckung
 - 32b. Kreuzschlitzschraube
 33. Ein-/Ausschalter Laser
 34. Führungsbügel
 35. Raststellungshebel
 36. Kippsicherung
 37. Längenanschlag
 38. Justierschraube
- A.) 90° Anschlagwinkel (Im Lieferumfang nicht enthalten)
B.) 45° Anschlagwinkel (Im Lieferumfang nicht enthalten)
C.) Innensechskantschlüssel, 6 mm
D.) Innensechskantschlüssel, 3 mm
E.) Kreuzschlitzschraube (Laser)

4. Lieferumfang

- Kapp- und Zugsäge
- 2 x Spannvorrichtung (7)
- 2 x Werkstückauflage (8) (vormontiert)
- Spänefangsack (17)
- Innensechskantschlüssel 6 mm (C)
- Innensechskantschlüssel 3 mm (D)
- Betriebsanleitung

5. Bestimmungsgemäße Verwendung

Die Kapp- und Zugsäge dient zum Kappen von Holz und Kunststoff, entsprechend der Maschinengröße. Die Säge ist nicht zum Schneiden von Brennholz geeignet.

Warnung!

Verwenden Sie das Gerät nicht zum Schneiden anderer Materialien als in der Bedienungsanleitung beschrieben.

Warnung!

Das mitgelieferte Sägeblatt ist ausschließlich zum Sägen von Holz bestimmt! Verwenden Sie dieses nicht zum Sägen von Brennholz!

Die Maschine darf nur nach ihrer Bestimmung verwendet werden. Jede weitere darüber hinausgehende Verwendung ist nicht bestimmungsgemäß. Für daraus hervorgerufene Schäden oder Verletzungen aller Art haftet der Benutzer/Bediener und nicht der Hersteller.

Es dürfen nur für die Maschine geeignete Sägeblätter verwendet werden. Die Verwendung von Trennscheiben aller Art ist untersagt.

Bestandteil der bestimmungsgemäßen Verwendung ist auch die Beachtung der Sicherheitshinweise, sowie die Montageanleitung und Betriebshinweise in der Bedienungsanleitung.

Personen, welche die Maschine bedienen und warten, müssen mit dieser vertraut und über mögliche Gefahren unterrichtet sein.

Darüber hinaus sind die geltenden Unfallverhütungsvorschriften genauestens einzuhalten.

Sonstige allgemeine Regeln in arbeitsmedizinischen und sicherheitstechnischen Bereichen sind zu beachten.

Veränderungen an der Maschine schließen eine Haftung des Herstellers und daraus entstehende Schäden gänzlich aus.

Trotz bestimmungsmäßiger Verwendung können bestimmte Restrisikofaktoren nicht vollständig ausgeräumt werden. Bedingt durch Konstruktion und Aufbau der Maschine können folgende Punkte auftreten:

- Berührung des Sägeblattes im nicht abgedeckten Sägebereich.
- Eingreifen in das laufende Sägeblatt (Schnittverletzung).
- Rückschlag von Werkstücken und Werkstückteilen.
- Sägeblattbrüche.
- Herausschleudern von fehlerhaften Hartmetallteilen des Sägeblattes.
- Gehörschäden bei Nichtverwendung des nötigen Gehörschutzes.
- Gesundheitsschädliche Emissionen von Holzstäuben bei Verwendung in geschlossenen Räumen.

Bitte beachten Sie, dass unsere Geräte bestimmungsgemäß nicht für den gewerblichen, handwerklichen oder industriellen Einsatz konstruiert wurden. Wir übernehmen keine Gewährleistung, wenn das Gerät in Gewerbe-, Handwerks- oder Industriebetrieben sowie bei gleichzusetzenden Tätigkeiten eingesetzt wird.

6. Sicherheitshinweise

Allgemeine Sicherheitshinweise für Elektrowerkzeuge

⚠ WARNUNG! Lesen Sie alle Sicherheitshinweise, Anweisungen, Bilderungen und technischen Daten, mit denen dieses Elektrowerkzeug versehen ist. Versäumnisse bei der Einhaltung der nachfolgenden Anweisungen können elektrischen Schlag, Brand und/oder schwere Verletzungen verursachen.

Bewahren Sie alle Sicherheitshinweise und Anweisungen für die Zukunft auf.

Der in den Sicherheitshinweisen verwendete Begriff „Elektrowerkzeug“ bezieht sich auf netzbetriebene Elektrowerkzeuge (mit Netzleitung) oder auf akkubetriebene Elektrowerkzeuge (ohne Netzleitung).

1. Arbeitsplatzsicherheit

- **Halten Sie Ihren Arbeitsbereich sauber und gut beleuchtet.** Unordnung oder unbeleuchtete Arbeitsbereiche können zu Unfällen führen.
- **Arbeiten Sie mit dem Elektrowerkzeug nicht in explosionsgefährdeter Umgebung, in der sich brennbare Flüssigkeiten, Gase oder Stäube befinden.** Elektrowerkzeuge erzeugen Funken, die den Staub oder die Dämpfe entzünden können.
- **Halten Sie Kinder und andere Personen während der Benutzung des Elektrowerkzeugs fern.** Bei Ablenkung können Sie die Kontrolle über das Elektrowerkzeug verlieren.

2. Elektrische Sicherheit

- **Der Anschlussstecker des Elektrowerkzeuges muss in die Steckdose passen. Der Stecker darf in keiner Weise verändert werden. Verwenden Sie keine Adapterstecker gemeinsam mit schutzgeerdeten Elektrowerkzeugen.** Unveränderte Stecker und passende Steckdosen verringern das Risiko eines elektrischen Schlages.
- **Vermeiden Sie Körperkontakt mit geerdeten Oberflächen wie von Rohren, Heizungen, Herden und Kühlschränken.** Es besteht ein erhöhtes Risiko durch elektrischen Schlag, wenn Ihr Körper geerdet ist.
- **Halten Sie Elektrowerkzeuge von Regen oder Nässe fern.** Das Eindringen von Wasser in ein Elektrowerkzeug erhöht das Risiko eines elektrischen Schlages.

- **Zweckentfremden Sie die Anschlussleitung nicht, um das Elektrowerkzeug zu tragen, aufzuhängen oder um den Stecker aus der Steckdose zu ziehen. Halten Sie die Anschlussleitung fern von Hitze, Öl, scharfen Kanten oder sich bewegenden Teilen.** Beschädigte oder verwickelte Anschlussleitungen erhöhen das Risiko eines elektrischen Schlages.
- **Wenn Sie mit einem Elektrowerkzeug im Freien arbeiten, verwenden Sie nur Verlängerungsleitungen, die auch für den Außenbereich geeignet sind.** Die Anwendung einer für den Außenbereich geeigneten Verlängerungsleitung verringert das Risiko eines elektrischen Schlages.
- **Wenn der Betrieb des Elektrowerkzeugs in feuchter Umgebung nicht vermeidbar ist, verwenden Sie einen Fehlerstromschutzschalter.** Der Einsatz eines Fehlerstromschutzschalters vermindert das Risiko eines elektrischen Schlages.

3. Sicherheit von Personen

- **Seien Sie aufmerksam, achten Sie darauf, was Sie tun, und gehen Sie mit Vernunft an die Arbeit mit einem Elektrowerkzeug. Benutzen Sie kein Elektrowerkzeug, wenn Sie müde sind oder unter dem Einfluss von Drogen, Alkohol oder Medikamenten stehen.** Ein Moment der Unachtsamkeit beim Gebrauch des Elektrowerkzeuges kann zu ernsthaften Verletzungen führen.
 - **Tragen Sie persönliche Schutzausrüstung und immer eine Schutzbrille.** Das Tragen persönlicher Schutzausrüstung, wie Staubmaske, rutschfeste Sicherheitsschuhe, Schutzhelm oder Gehörschutz, je nach Art und Einsatz des Elektrowerkzeugs, verringert das Risiko von Verletzungen.
 - **Vermeiden Sie eine unbeabsichtigte Inbetriebnahme. Vergewissern Sie sich, dass das Elektrowerkzeug ausgeschaltet ist, bevor Sie es an die Stromversorgung und/oder den Akku anschließen, es aufnehmen oder tragen.** Wenn Sie beim Tragen des Elektrowerkzeugs den Finger am Schalter haben oder das Elektrowerkzeug eingeschaltet an die Stromversorgung anschließen, kann dies zu Unfällen führen.
 - **Entfernen Sie Einstellwerkzeuge oder Schraubenschlüssel, bevor Sie das Elektrowerkzeug einschalten.** Ein Werkzeug oder Schlüssel, der sich in einem drehenden Teil des Elektrowerkzeugs befindet, kann zu Verletzungen führen.
 - **Vermeiden Sie eine abnormale Körperhaltung. Sorgen Sie für einen sicheren Stand und halten Sie jederzeit das Gleichgewicht.** Dadurch können Sie das Elektrowerkzeug in unerwarteten Situationen besser kontrollieren.
 - **Tragen Sie geeignete Kleidung. Tragen Sie keine weite Kleidung oder Schmuck. Halten Sie Haare und Kleidung fern von sich bewegenden Teilen.** Lockere Kleidung, Schmuck oder lange Haare können von sich bewegenden Teilen erfasst werden.
- **Wenn Staubabsaug- und -auffangeinrichtungen montiert werden können, sind diese anzuschließen und richtig zu verwenden.** Verwendung einer Staubabsaugung kann Gefährdungen durch Staub verringern.
 - **Wiegen Sie sich nicht in falscher Sicherheit und setzen Sie sich nicht über die Sicherheitsregeln für Elektrowerkzeuge hinweg, auch wenn Sie nach vielfachem Gebrauch mit dem Elektrowerkzeug vertraut sind.** Achtloses Handeln kann binnen Sekundenbruchteilen zu schweren Verletzungen führen.

4. Verwendung und Behandlung des Elektrowerkzeuges

- **Überlasten Sie das Elektrowerkzeug nicht. Verwenden Sie für Ihre Arbeit das dafür bestimmte Elektrowerkzeug.** Mit dem passenden Elektrowerkzeug arbeiten Sie besser und sicherer im angegebenen Leistungsbereich.
- **Benutzen Sie kein Elektrowerkzeug, dessen Schalter defekt ist.** Ein Elektrowerkzeug, das sich nicht mehr ein- oder ausschalten lässt, ist gefährlich und muss repariert werden.
- **Ziehen Sie den Stecker aus der Steckdose und/oder entfernen Sie einen abnehmbaren Akku, bevor Sie Geräteeinstellungen vornehmen, Einsatzwerkzeugteile wechseln oder das Elektrowerkzeug weglegen.** Diese Vorsichtsmaßnahme verhindert den unbeabsichtigten Start des Elektrowerkzeugs.
- **Bewahren Sie unbenutzte Elektrowerkzeuge außerhalb der Reichweite von Kindern auf. Lassen Sie keine Personen das Elektrowerkzeug benutzen, die mit diesem nicht vertraut sind oder diese Anweisungen nicht gelesen haben.** Elektrowerkzeuge sind gefährlich, wenn sie von unerfahrenen Personen benutzt werden.
- **Pflegen Sie Elektrowerkzeuge und Einsatzwerkzeug mit Sorgfalt. Kontrollieren Sie, ob bewegliche Teile einwandfrei funktionieren und nicht klemmen, ob Teile gebrochen oder so beschädigt sind, dass die Funktion des Elektrowerkzeugs beeinträchtigt ist. Lassen Sie beschädigte Teile vor dem Einsatz des Elektrowerkzeuges reparieren.** Viele Unfälle haben ihre Ursache in schlecht gewarteten Elektrowerkzeugen.
- **Halten Sie Schneidwerkzeuge scharf und sauber.** Sorgfältig gepflegte Schneidwerkzeuge mit scharfen Schneidkanten verklemmen sich weniger und sind leichter zu führen.
- **Verwenden Sie Elektrowerkzeug, Zubehör, Einsatzwerkzeuge usw. entsprechend diesen Anweisungen. Berücksichtigen Sie dabei die Arbeitsbedingungen und die auszuführende Tätigkeit.** Der Gebrauch von Elektrowerkzeugen für andere als die vorgesehenen Anwendungen kann zu gefährlichen Situationen führen.

- **Halten Sie Griffe und Griffflächen trocken, sauber und frei von Öl und Fett.** Rutschige Griffe und Griffflächen erlauben keine sichere Bedienung und Kontrolle des Elektrowerkzeugs in unvorhergesehenen Situationen.

5. Service

- **Lassen Sie Ihr Elektrowerkzeug nur von qualifiziertem Fachpersonal und nur mit Original-Ersatzteilen reparieren.** Damit wird sichergestellt, dass die Sicherheit des Elektrowerkzeugs erhalten bleibt.

Sicherheitshinweise für Gehrungskappsägen

- Gehrungskappsägen sind zum Schneiden von Holz oder holzartigen Produkten vorgesehen, sie können nicht zum Schneiden von Eisenwerkstoffen wie Stäben, Stangen, Schrauben usw. verwendet werden.** Abrasiver Staub führt zum Blockieren von beweglichen Teilen wie der unteren Schutzhaube. Schneidfunken verbrennen die untere Schutzhaube, die Einlegeplatte und andere Kunststoffteile.
- Fixieren Sie das Werkstück nach Möglichkeit mit Zwingen. Wenn Sie das Werkstück mit der Hand festhalten, müssen Sie ihre Hand immer mindestens 100 mm von jeder Seite des Sägeblatts entfernt halten. Verwenden Sie diese Säge nicht zum Schneiden von Stücken, die zu klein sind, um sie einzuspannen oder mit der Hand zu halten.** Wenn ihre Hand zu nahe am Sägeblatt ist, besteht ein erhöhtes Verletzungsrisiko durch Kontakt mit dem Sägeblatt.
- Das Werkstück muss unbeweglich sein und entweder festgespannt oder gegen den Anschlag und den Tisch gedrückt werden. Schieben Sie das Werkstück nicht in das Sägeblatt und schneiden Sie nie „freihändig“.** Lose oder sich bewegende Werkstücke könnten mit hoher Geschwindigkeit herausgeschleudert werden und zu Verletzungen führen.
- Schieben Sie die Säge durch das Werkstück. Vermeiden Sie es, die Säge durch das Werkstück zu ziehen. Für einen Schnitt heben Sie den Sägekopf und ziehen ihn über das Werkstück, ohne zu schneiden. Dann schalten Sie den Motor ein, schwenken den Sägekopf nach unten und drücken die Säge durch das Werkstück.** Bei ziehendem Schnitt besteht die Gefahr, dass das Sägeblatt am Werkstück aufsteigt und die Sägeblatteinheit dem Bediener gewaltsam entgegenschleudert wird.
- Kreuzen Sie nie die Hand über die vorgesehene Schnittlinie, weder vor noch hinter dem Sägeblatt.** Abstützen des Werkstücks „mit gekreuzten Händen“, d. h. Halten des Werkstücks rechts neben dem Sägeblatt mit der linken Hand oder umgekehrt, ist sehr gefährlich.
- Greifen Sie bei rotierendem Sägeblatt nicht hinter den Anschlag. Unterschreiten Sie nie einen Sicherheitsabstand von 100 mm zwischen Hand und rotierendem Sägeblatt (gilt auf beiden Seiten des Sägeblatts, z. B. beim Entfernen von Holzabfällen).** Die Nähe des rotierenden Sägeblatts zu ihrer Hand ist möglicherweise nicht erkennbar, und Sie können schwer verletzt werden.
- Prüfen Sie das Werkstück vor dem Schneiden. Wenn das Werkstück gebogen oder verzogen ist, spannen Sie es mit der nach außen gekrümmten Seite zum Anschlag. Stellen Sie immer sicher, dass entlang der Schnittlinie kein Spalt zwischen Werkstück, Anschlag und Tisch ist.** Gebogene oder verzogene Werkstücke können sich verdrehen oder verlagern und ein Klemmen des rotierenden Sägeblatts beim Schneiden verursachen. Es dürfen keine Nägel oder Fremdkörper im Werkstück sein.
- Verwenden Sie die Säge erst, wenn der Tisch frei von Werkzeugen, Holzabfällen usw. ist; nur das Werkstück darf sich auf dem Tisch befinden.** Kleine Abfälle, lose Holzstücke oder andere Gegenstände, die mit dem rotierenden Blatt in Berührung kommen, können mit hoher Geschwindigkeit weggeschleudert werden.
- Schneiden Sie jeweils nur ein Werkstück.** Mehrfach gestapelte Werkstücke lassen sich nicht angemessen spannen oder festhalten und können beim Sägen ein Klemmen des Blatts verursachen oder verrutschen.
- Sorgen Sie dafür, dass die Gehrungskappsäge vor Gebrauch auf einer ebenen, festen Arbeitsfläche steht.** Eine ebene und feste Arbeitsfläche verringert die Gefahr, dass die Gehrungskappsäge instabil wird.
- Planen Sie ihre Arbeit. Achten Sie bei jedem Verstellen der Sägeblattneigung oder des Gehrungswinkels darauf, dass der verstellbare Anschlag richtig justiert ist und das Werkstück abstützt, ohne mit dem Blatt oder der Schutzhaube in Berührung zu kommen.** Ohne die Maschine einzuschalten und ohne Werkstück auf dem Tisch ist eine vollständige Schnittbewegung des Sägeblatts zu simulieren, um sicherzustellen, dass es nicht zu Behinderungen oder der Gefahr des Schneidens in den Anschlag kommt.
- Sorgen Sie bei Werkstücken, die breiter oder länger als die Tischoberseite sind, für eine angemessene Abstützung, z. B. durch Tischverlängerungen oder Sägeböcke.** Werkstücke, die länger oder breiter als der Tisch der Gehrungskappsäge sind, können kippen, wenn sie nicht fest abgestützt sind. Wenn ein abgeschnittenes Stück Holz oder das Werkstück kippt, kann es die untere Schutzhaube anheben oder unkontrolliert vom rotierenden Blatt weggeschleudert werden.
- Ziehen Sie keine anderen Personen als Ersatz für eine Tischverlängerung oder zur zusätzlichen Abstützung heran.** Eine instabile Abstützung des Werkstücks kann zum Klemmen des Blatts führen. Auch kann sich das Werkstück während des Schnitts verschieben und Sie und den Helfer in das rotierende Blatt ziehen.

- n) **Das abgeschnittene Stück darf nicht gegen das rotierende Sägeblatt gedrückt werden.** Wenn wenig Platz ist, z. B. bei Verwendung von Längsanschlägen, kann sich das abgeschnittene Stück mit dem Blatt verkeilen und gewaltsam weggeschleudert werden.
- o) **Verwenden Sie immer eine Zwinde oder eine geeignete Vorrichtung, um Rundmaterial wie Stangen oder Rohre ordnungsgemäß abzustützen.** Stangen neigen beim Schneiden zum Wegrollen, wodurch sich das Blatt „festbeißen“ und das Werkstück mit Ihrer Hand in das Blatt gezogen werden kann.
- p) **Lassen Sie das Blatt die volle Drehzahl erreichen, bevor Sie in das Werkstück schneiden.** Dies verringert das Risiko, dass das Werkstück fortgeschleudert wird.
- q) **Wenn das Werkstück eingeklemmt wird oder das Blatt blockiert, schalten Sie die Gehrungskappsäge aus. Warten Sie, bis alle beweglichen Teile zum Stillstand gekommen sind, ziehen Sie den Netzstecker und/oder nehmen Sie den Akku heraus. Entfernen Sie anschließend das eingeklemmte Material.** Wenn Sie bei einer solchen Blockierung weitersägen, kann es zum Verlust der Kontrolle oder zu Beschädigungen der Gehrungskappsäge kommen.
- r) **Lassen Sie nach beendetem Schnitt den Schalter los, halten Sie den Sägekopf unten und warten Sie den Stillstand des Blatts ab, bevor Sie das abgeschnittene Stück entfernen.** Es ist sehr gefährlich, mit der Hand in die Nähe des auslaufenden Blatts zu reichen.
- s) **Halten Sie den Handgriff gut fest, wenn Sie einen unvollständigen Sägeschnitt ausführen oder wenn Sie den Schalter loslassen, bevor der Sägekopf seine untere Lage erreicht hat.** Durch die Bremswirkung der Säge kann der Sägekopf ruckartig nach unten gezogen werden, was zu einem Verletzungsrisiko führt.

Sicherheitshinweise für den Umgang mit Sägeblättern

1. Verwenden Sie keine beschädigten oder deformierten Sägeblätter.
2. Verwenden Sie keine Sägeblätter mit Rissen. Mustern Sie gerissene Sägeblätter aus. Eine Instandsetzung ist nicht zulässig.
3. Verwenden Sie keine aus Schnellarbeitsstahl gefertigten Sägeblätter.
4. Kontrollieren Sie den Zustand der Sägeblätter, bevor Sie die Kapp- und Zugsäge benutzen.
5. Verwenden Sie ausschließlich Sägeblätter, die für den zu schneidenden Werkstoff geeignet sind.
6. Verwenden Sie nur die vom Hersteller festgelegten Sägeblätter.
Die Sägeblätter müssen, wenn Sie zum Bearbeiten von Holz oder ähnlichen Werkstoffen vorgesehen sind, EN 847-1 entsprechen.
7. Verwenden Sie keine Sägeblätter aus hochlegiertem Schnellarbeitsstahl (HSS).

8. Verwenden Sie nur Sägeblätter, deren höchstzulässige Drehzahl nicht geringer ist als die maximale Spindeldrehzahl der Kapp- und Zugsäge und die für den zu schneidenden Werkstoff geeignet sind.
9. Beachten Sie die Drehrichtung des Sägeblatts.
10. Setzen Sie nur Sägeblätter ein, wenn Sie den Umgang damit beherrschen.
11. Beachten Sie die Höchstdrehzahl. Die auf dem Sägeblatt angegebene Höchstdrehzahl darf nicht überschritten werden. Halten Sie, falls angegeben, den Drehzahlbereich ein.
12. Reinigen Sie die Spannflächen von Verschmutzungen, Fett, Öl und Wasser.
13. Verwenden Sie keine losen Reduzierringe oder -buchsen zum Reduzieren von Bohrungen bei Sägeblättern.
14. Achten Sie darauf, dass fixierte Reduzierringe zum Sichern des Sägeblatts den gleichen Durchmesser und mindestens 1/3 des Schnittdurchmessers haben.
15. Stellen Sie sicher, dass fixierte Reduzierringe parallel zueinander sind.
16. Handhaben Sie Sägeblätter mit Vorsicht. Bewahren Sie sie am besten in der Originalverpackung oder speziellen Behältnissen auf. Tragen Sie Schutzhandschuhe, um die Griffsicherheit zu verbessern und das Verletzungsrisiko weiter zu mindern.
17. Stellen Sie vor der Benutzung von Sägeblättern sicher, dass alle Schutzvorrichtungen ordnungsgemäß befestigt sind.
18. Vergewissern Sie sich vor dem Einsatz, dass das von Ihnen benutzte Sägeblatt den technischen Anforderungen dieser Kapp- und Zugsäge entspricht und ordnungsgemäß befestigt ist.
19. Benutzen Sie das mitgelieferte Sägeblatt nur für Sägearbeiten in Holz, niemals zum Bearbeiten von Metallen.
20. Verwenden Sie nur ein Sägeblatt mit einem Durchmesser entsprechend den Angaben auf der Säge.
21. Verwenden Sie zusätzliche Werkstück-Auflagen, wenn dies für die Stabilität des Werkstück notwendig ist.
22. Die Verlängerungen der Werkstückauflage müssen während der Arbeit immer befestigt und verwendet werden.
23. Ersetzen Sie die abgenutzte Tischeinlage!
24. Vermeiden Sie ein Überhitzen der Sägezähne.
25. Vermeiden Sie beim Sägen von Kunststoffen, dass der Kunststoff schmilzt.
Verwenden Sie dazu die richtigen Sägeblätter. Tauschen Sie die beschädigten oder abgenutzten Sägeblätter rechtzeitig aus.
Wenn sich das Sägeblatt überhitzt, stoppen Sie die Maschine. Lassen Sie das Sägeblatt zuerst abkühlen, bevor Sie mit dem Gerät erneut arbeiten.



Achtung: Laserstrahlung
Nicht in den Strahl blicken
Laserklasse 2



Schützen Sie sich und Ihre Umwelt durch geeignete Vorsichtsmaßnahmen vor Unfallgefahren!

- Nicht direkt mit ungeschütztem Auge in den Laserstrahl blicken.
- Niemals direkt in den Strahlengang blicken.
- Den Laserstrahl nie auf reflektierende Flächen und Personen oder Tiere richten. Auch ein Laserstrahl mit geringer Leistung kann Schäden am Auge verursachen.
- Vorsicht - wenn andere als die hier angegebenen Verfahrensweisen ausgeführt werden, kann dies zu einer gefährlichen Strahlungsexposition führen.
- Lasermodul niemals öffnen. Es könnte unerwartet zu einer Strahlenexposition kommen.
- Der Laser darf nicht gegen einen Laser anderen Typs ausgetauscht werden.
- Reparaturen am Laser dürfen nur vom Hersteller des Lasers oder einem autorisierten Vertreter vorgenommen werden.

Restrisiken


Das Elektrowerkzeug ist nach dem Stand der Technik und den anerkannten sicherheitstechnischen Regeln gebaut. Dennoch können beim Arbeiten einzelne Restrisiken auftreten.

- Gefährdung der Gesundheit durch Strom bei Verwendung nicht ordnungsgemäßer Elektro-Anschlussleitungen.
- Desweiteren können trotz aller getroffener Vorkehrungen nicht offensichtliche Restrisiken bestehen.
- Restrisiken können minimiert werden, wenn die „Sicherheits-hinweise“ und die „Bestimmungsgemäße Verwendung“, sowie die Bedienungsanweisung insgesamt beachtet werden.
- Belasten Sie die Maschine nicht unnötig: zu starker Druck beim Sägen beschädigt das Sägeblatt schnell, was zu einer Leistungsverminderung der Maschine bei der Verarbeitung und in der Schnittgenauigkeit führt.
- Beim Schneiden von Plastikmaterial verwenden Sie bitte immer Klemmen: die Teile, die gesägt werden sollen, müssen immer zwischen den Klemmen fixiert werden.
- Vermeiden Sie zufällige Inbetriebsetzungen der Maschine: beim Einführen des Steckers in die Steckdose darf die Start-taste nicht gedrückt werden.
- Verwenden Sie das Werkzeug, das in diesem Handbuch empfohlen wird. So erreichen Sie, dass Ihre Maschine optimale Leistungen erbringt.
- Halten Sie Ihre Hände vom Arbeitsbereich fern, wenn die Maschine in Betrieb ist.
- Bevor Sie Einstell- oder Wartungsarbeiten vornehmen, lassen Sie die Starttaste los und ziehen den Netzstecker.

Warnung!

Dieses Elektrowerkzeug erzeugt während des Betriebes ein elektromagnetisches Feld. Dieses Feld kann unter bestimmten Umständen aktive oder passive medizinische Implantate beeinträchtigen. Um die Gefahr von ernsthaften oder tödlichen Verletzungen zu verringern, empfehlen wir Personen mit medizinischen Implantaten ihren Arzt und den Hersteller vom medizinischen Implantat zu konsultieren, bevor das Elektrowerkzeug bedient wird.

7. Technische Daten

| | |
|--|--|
| Wechselstrommotor..... | 220 - 240 V~ 50 Hz |
| Nennleistung S1..... | 1700 Watt |
| Betriebsart..... | S6 25%* 2000W |
| Leerlaufdrehzahl n_0 | 4800 min ⁻¹ |
| Hartmetallsägeblatt..... | ∅ 210 x ∅ 30 x 2,6 mm |
| Anzahl der Zähne..... | 24 |
| Maximale Zahnbreite des Sägeblattes..... | 3 mm |
| Schwenkbereich..... | -45° / 0° / +45° |
| Gehringsschnitt..... | 0° bis 45° nach links |
| Sägebreite bei 90°..... | 340 x 65 mm |
| Sägebreite bei 45°..... | 240 x 65 mm |
| Sägebreite bei 2 x 45° (Doppelgehrungsschnitt)..... | 240 x 38 mm |
| Schutzklasse..... | II /  |
| Gewicht..... | ca. 12,15 kg |
| Laserklasse..... | 2 |
| Wellenlänge Laser..... | 650 nm |
| Leistung Laser..... | < 1 mW |

* Betriebsart S6, ununterbrochener periodischer Betrieb. Der Betrieb setzt sich aus einer Anlaufzeit, einer Zeit mit konstanter Belastung und einer Leerlaufzeit zusammen. Die Spieldauer beträgt 10 min, die relative Einschaltdauer beträgt 25% der Spieldauer.

Das Werkstück muss mindestens eine Höhe von 3 mm und eine Breite von 10 mm haben. Achten Sie darauf, dass das Werkstück immer mit der Spannvorrichtung gesichert wird.

Geräusch

Die Geräuschwerte wurden entsprechend EN 62841 ermittelt.

Schalldruckpegel L_{pA} 96,5 dB(A)

Unsicherheit K_{pA} 3 dB

Schallleistungspegel L_{WA} 109,5 dB(A)

Unsicherheit K_{WA} 3 dB

Tragen Sie einen Gehörschutz.

Die Einwirkung von Lärm kann Hörverlust bewirken.

Die angegebenen Geräuschemissionswerte sind nach einem genormten Prüfverfahren gemessen worden und können zum Vergleich eines Elektrowerkzeugs mit einem anderen verwendet werden.

Die angegebenen Geräuschemissionswerte können auch zu einer vorläufigen Einschätzung der Belastung verwendet werden.

Warnung:

- Die Geräuschemissionen können während der tatsächlichen Benutzung des Elektrowerkzeugs von den Angabewerten abweichen, abhängig von der Art und Weise, in der das Elektrowerkzeug verwendet wird, insbesondere, welche Art von Werkstück bearbeitet wird.
- Versuchen Sie, die Belastung so gering wie möglich zu halten. Beispielhafte Maßnahmen: die Begrenzung der Arbeitszeit. Dabei sind alle Anteile des Betriebszyklus zu berücksichtigen (beispielsweise Zeiten, in denen das Elektrowerkzeug abgeschaltet ist, und solche, in denen es zwar eingeschaltet ist, aber ohne Belastung läuft).

8. Vor Inbetriebnahme

- Öffnen Sie die Verpackung und nehmen Sie das Gerät vorsichtig heraus.
- Entfernen Sie das Verpackungsmaterial sowie Verpackungs- und Transportsicherungen (falls vorhanden).
- Überprüfen Sie, ob der Lieferumfang vollständig ist.
- Kontrollieren Sie das Gerät und die Zubehörteile auf Transportschäden.
- Bewahren Sie die Verpackung nach Möglichkeit bis zum Ablauf der Garantiezeit auf.

ACHTUNG

Gerät und Verpackungsmaterialien sind kein Kinderspielzeug! Kinder dürfen nicht mit Kunststoffbeuteln, Folien und Kleinteilen spielen! Es besteht Verschluckungs- und Erstickungsgefahr!

- Die Maschine muss standsicher aufgestellt werden. Befestigen Sie die Maschine auf einer Werkbank, einem Untergestell o. ä. Stecken Sie 4 Schrauben (nicht im Lieferumfang enthalten) in die Bohrungen am feststehenden Säge Tisch (15). Ziehen Sie die Schrauben fest.
- Die vorinstallierte Kippsicherung (36) an der Unterseite der Säge lösen, komplett ausziehen und mittels des Innensechskantschlüssels (D) wieder sichern.
- Justierschraube (38) auf das Niveau der Tischplatte einstellen, um ein Kippen der Maschine zu vermeiden.
- Vor Inbetriebnahme müssen alle Abdeckungen und Sicherheitsvorrichtungen ordnungsgemäß montiert sein.
- Das Sägeblatt muss frei laufen können.
- Bei bereits bearbeitetem Holz auf Fremdkörper, wie z.B. Nägel oder Schrauben usw., achten.
- Bevor Sie den Ein-/Ausschalter betätigen, vergewissern Sie sich, ob das Sägeblatt richtig montiert ist und bewegliche Teile leichtgängig sind.
- Überzeugen Sie sich vor dem Anschließen der Maschine, dass die Daten auf dem Typenschild mit den Netzdaten übereinstimmen.

8.1 Prüfung Sicherheitseinrichtung Sägeblattschutz beweglich (5)

Der Sägeblattschutz schützt vor versehentlichem Berühren des Sägeblattes und vor herumfliegenden Spänen.

Funktion überprüfen

Dazu die Säge nach unten klappen:

- Der Sägeblattschutz muss das Sägeblatt beim Herunterschwenken freigeben, ohne andere Teile zu berühren.
- Beim Hochklappen der Säge in die Ausgangsstellung muss der Sägeblattschutz automatisch das Sägeblatt abdecken.

9. Aufbau

9.1 Kapp- und Zugsäge aufbauen (Abb. 1/2/4)

- Zum Verstellen des Drehtisches (14) den Handgriff (11) ca. 2 Umdrehungen lockern und den Raststellungshebel (35) mit dem Zeigefinger nach oben ziehen.
- Drehtisch (14) und Zeiger (12) auf das gewünschte Winkelmaß der Skala (13) drehen und mit dem Handgriff (11) fixieren.

- Drücken Sie den Maschinenkopf (4) leicht nach unten. Durch gleichzeitiges Herausziehen und Drehen des Sicherungsbolzens (23) aus der Motorhalterung, wird die Säge aus der unteren Stellung entriegelt.
- Sicherungsbolzen (23) um 90 Grad drehen um diesen in der entriegelten Position zu fixieren.
- Maschinenkopf (4) nach oben schwenken.
- Die Spannvorrichtungen (7) können beidseitig an dem feststehenden Säge Tisch (15) befestigt werden. Stecken Sie die Spannvorrichtungen (7) in die dafür vorgesehenen Bohrungen an der Hinterseite der Anschlagsschiene (16) und sichern diese über die Sterngriffschrauben (7a). Bei Gehrungsschnitten 0°-45° ist die Spannvorrichtung (7) nur einseitig (rechts) zu montieren (siehe Bild 11-12).
- Der Maschinenkopf (4) kann durch Lösen der Feststellschraube (22), nach links auf max. 45° geneigt werden.
- Die Werkstückauflagen (8) müssen während der Arbeit immer befestigt und verwendet werden. Stellen Sie die gewünschte Ausladung ein, indem Sie die Feststellschraube (9) lösen. Danach ziehen Sie die Feststellschraube (9) wieder fest.

9.2 Spänefangsack (Abb. 1/22)

Die Säge ist mit einem Spänefangsack (17) für Späne ausgestattet.

Drücken Sie die Metallringflügel des Spänefangsack (17) zusammen und bringen Sie ihn an der Auslassöffnung im Motorbereich an.

Der Spänefangsack (17) kann über den Reißverschluss auf der Unterseite entleert werden.

9.2.1 Anschluss an eine externe Staubabsaugung

- Schließen Sie den Absaugschlauch an die Staubabsaugung an.
- Die Staubabsaugung muss für das zu bearbeitende Material geeignet sein.
- Benutzen Sie zum Absaugen von besonders gesundheitsschädlichen oder krebserregenden Stäuben eine spezielle Absaugvorrichtung.

9.3 Feinjustierung des Anschlags für Kappschnitt 90° (Abb. 1/2/5/6)

Benötigtes Werkzeug:

- Innensechskantschlüssel 6 mm
- Gabelschlüssel SW13 (nicht im Lieferumfang enthalten)

• Anschlagwinkel nicht im Lieferumfang enthalten.

- Den Maschinenkopf (4) nach unten senken und mit dem Sicherungsbolzen (23) fixieren.
- Feststellschraube (22) lockern.
- Anschlagwinkel (A) zwischen Sägeblatt (6) und Drehtisch (14) anlegen.
- Lösen Sie die Kontermutter (26a).
- Die Justierschraube (26) soweit verstellen, bis der Winkel zwischen Sägeblatt (6) und Drehtisch (14) 90° beträgt.
- Ziehen Sie die Kontermutter (26a) wieder fest.
- Überprüfen Sie abschließend die Position der Winkelanzeige. Falls erforderlich, Zeiger (19) mit Kreuzschlitzschraubendreher lösen, auf 0°-Position der Skala (18) setzen und Halteschraube wieder festziehen.

9.4 Feinjustierung des Anschlags für Gehrungschnitt 45° (Abb. 1/2/5/9/10)

Benötigtes Werkzeug:

- Innensechskantschlüssel 6 mm
- Gabelschlüssel SW13 (nicht im Lieferumfang enthalten)

- **Anschlagwinkel nicht im Lieferumfang enthalten.**
- Den Maschinenkopf (4) nach unten senken und mit dem Sicherungsbolzen (23) fixieren.
- Den Drehtisch (14) auf 0° Stellung fixieren.

Achtung!

Die verschiebbare Anschlagsschiene (16a) muss für Gehrungschnitte (geneigter Sägekopf) in der äußeren Position fixiert werden. (**Linke Seite**).

- Öffnen Sie die Feststellschraube (16b) der verschiebbaren Anschlagsschienen (16a) und schieben Sie die verschiebbaren Anschlagsschienen (16a) nach außen.
- Die verschiebbaren Anschlagsschienen (16a) müssen so arretiert werden, dass der Abstand zwischen Anschlagsschienen (16a) und Sägeblatt (6) mindestens 8 mm beträgt.
- Die verschiebbare Anschlagsschiene (16a) muss sich in der inneren Position befinden (**Rechte Seite**).
- Prüfen Sie vor dem Schnitt, dass zwischen den Anschlagsschienen (16a) und dem Sägeblatt (6) keine Kollision möglich ist.
- Die Feststellschraube (22) lösen und mit dem Handgriff (1) den Maschinenkopf (4) nach links, auf 45° neigen.
- 45°-Anschlagwinkel (B) zwischen Sägeblatt (6) und Drehtisch (14) anlegen.
- Kontermutter (27a) lösen und Justierschraube (27) soweit verstellen, bis der Winkel zwischen Sägeblatt (6) und Drehtisch (14) genau 45° beträgt.
- Ziehen Sie die Kontermutter (27a) wieder fest.
- Überprüfen Sie abschließend die Position der Winkelanzeige. Falls erforderlich, Zeiger (19) mit Kreuzschlitzschraubendreher lösen, auf 45°-Position der Skala (18) setzen und Halteschraube wieder festziehen.

10. Bedienung

10.1 Betrieb Laser (Abb. 18)

- **Einschalten:** Ein-/Ausschalter Laser (33) 1x drücken. Auf das zu bearbeitende Werkstück wird eine Laserlinie projiziert, die die genaue Schnittführung anzeigt.
- **Ausschalten:** Ein-/Ausschalter Laser (33) erneut drücken.

10.2 Schnitttiefenbegrenzung (Nut sägen) (Abb. 3/13)

⚠ WARNUNG

Rückschlaggefahr! Beim Anfertigen von Nuten ist es besonders wichtig, dass kein seitlicher Druck auf das Sägeblatt ausgeübt wird. Der Sägekopf kann sonst plötzlich hochschlagen! Benutzen Sie beim Anfertigen von Nuten eine Spannvorrichtung. Vermeiden Sie seitlichen Druck auf den Sägekopf.

- Mittels der Schraube (24) kann die Schnitttiefe stufenlos eingestellt werden. Hierzu Rändelmutter an der Schraube (24a) lösen. Die gewünschte Schnitttiefe durch Eindrehen oder Herausdrehen der Schraube (24) einstellen. Anschließend die Rändelmutter (24a) wieder an der Schraube (24) festziehen.
- Überprüfen Sie die Einstellung anhand eines Probeschnittes.

10.3 Serienschritt

Für wiederholte Schnitte mit der gleichen Länge kann der Längenanschlag (37) aufgeklappt werden. Sie können den Längenanschlag (37) auf der rechten und auf der linken Seite nutzen.

- Klappen Sie den Längenanschlag (37) nach oben.
- Lösen Sie die Feststellschraube für die Werkstückauflage (9).
- Ziehen Sie die Werkstückauflage (8) heraus.
- Stellen Sie das gewünschte Maß zwischen Sägeblatt und Längenanschlag (37) ein.
- Ziehen Sie die Feststellschraube für die Werkstückauflage (9) wieder fest.
- Führen Sie die Schnitte durch, wie unter 10.4 bis 10.7 beschrieben.

10.4 Kappschnitt 90° und Drehtisch 0° (Abb. 1/2/7)

Bei Schnittbreiten bis ca. 100 mm kann die Zugfunktion der Säge mit der Feststellschraube (20) in der hinteren Position fixiert werden. In dieser Position kann die Maschine im Kappbetrieb betrieben werden. Sollte die Schnittbreite über 100 mm liegen, muss darauf geachtet werden, dass die Feststellschraube (20) locker und der Maschinenkopf (4) beweglich ist.

Achtung!

Die verschiebbaren Anschlagsschienen (16a) müssen für 90° - Kappschnitte in der inneren Position fixiert werden.

- Öffnen Sie die Feststellschrauben (16b) der verschiebbaren Anschlagsschienen (16a) und schieben Sie die verschiebbaren Anschlagsschienen (16a) nach innen.
- Die verschiebbaren Anschlagsschienen (16a) müssen so arretiert werden, dass der Abstand zwischen Anschlagsschienen (16a) und Sägeblatt (6) maximal 8 mm beträgt.
- Prüfen Sie vor dem Schnitt, dass zwischen den Anschlagsschienen (16a) und dem Sägeblatt (6) keine Kollision möglich ist.
- Feststellschrauben (16b) wieder anziehen.
- Maschinenkopf (4) in die obere Position bringen.
- Maschinenkopf (4) am Handgriff (1) nach hinten schieben und gegebenenfalls in dieser Position fixieren (je nach Schnittbreite).
- Legen Sie das zu schneidende Holz an die Anschlagsschiene (16) und auf den Drehtisch (14).
- Das Material mit den Spannvorrichtungen (7) auf dem feststehenden Säge Tisch (15) feststellen, um ein Verschieben während des Schneidvorgangs zu verhindern.
- Sperrschalter (3) entriegeln und Ein-/Ausschalter (2) drücken um den Motor einzuschalten.
- **Bei fixierter Zugführung (21):** Maschinenkopf (4) mit dem Handgriff (1) gleichmäßig und mit leichtem Druck nach unten bewegen, bis das Sägeblatt (6) das Werkstück durchgeschnitten hat.
- **Bei nicht fixierter Zugführung (21):** Maschinenkopf (4) nach ganz vorne ziehen. Den Handgriff (1) gleichmäßig und mit leichtem Druck ganz nach unten absenken. Nun Maschinenkopf (4) langsam und gleichmäßig ganz nach hinten schieben, bis das Sägeblatt (6) das Werkstück vollständig durchgeschnitten hat.
- Nach Beendigung des Sägevorgangs Maschinenkopf wieder in die obere Ruhestellung bringen und Ein-/Ausschalter (2) loslassen.

Achtung! Durch die Rückholfeder schlägt die Maschine automatisch nach oben. Handgriff (1) nach Schnittende nicht loslassen, sondern Maschinenkopf langsam und unter leichtem Gegendruck nach oben bewegen.

10.5 Kappschnitt 90° und Drehtisch 0° - 45° (Abb. 1/7/8)

Mit der Kapp- und Zugsäge können Schrägschnitte nach links und rechts von 0°-45° ausgeführt werden.

Achtung!

Die verschiebbaren Anschlagsschienen (16a) müssen für 90° - Kappschnitte in der inneren Position fixiert werden.

- Öffnen Sie die Feststellschraube (16b) der verschiebbaren Anschlagsschienen (16a) und schieben Sie die verschiebbaren Anschlagsschienen (16a) nach innen.
- Die verschiebbaren Anschlagsschienen (16a) müssen so arretiert werden, dass der Abstand zwischen den Anschlagsschienen (16a) und Sägeblatt (6) mindestens 8 mm beträgt.
- Prüfen Sie vor dem Schnitt, dass zwischen den Anschlagsschienen (16a) und dem Sägeblatt (6) keine Kollision möglich ist.
- Feststellschraube (16b) wieder anziehen.
- Lösen Sie den Handgriff (11), sofern dieser festgedreht ist. Ziehen Sie den Raststellungshebel (35) mit dem Zeigefinger nach oben. Stellen Sie den Drehtisch (14) mit Hilfe des Handgriffes (11) auf den gewünschten Winkel ein.
- Der Zeiger (12) auf dem Drehtisch muss mit dem gewünschten Winkelmaß der Skala (13) auf dem feststehenden Säge-tisch (15) übereinstimmen.
- Den Handgriff (11) wieder festziehen um den Drehtisch (14) zu fixieren.
- Schnitt wie unter Punkt 10.4 beschrieben ausführen.

10.6 Gehrungsschnitt 0° - 45° und Drehtisch 0° (Abb. 1/2/11)

Mit der Kapp- und Zugsäge können Gehrungsschnitte nach links von 0° - 45° zur Arbeitsfläche ausgeführt werden.

Achtung!

Die verschiebbare Anschlagsschiene (16a) muss für Gehrungsschnitte (geneigter Sägekopf) in der äußeren Position fixiert werden. (**Linke Seite**).

- Öffnen Sie die Feststellschraube (16b) der verschiebbaren Anschlagsschienen (16a) und schieben Sie die verschiebbaren Anschlagsschienen (16a) nach außen.
- Die verschiebbaren Anschlagsschienen (16a) müssen so arretiert werden, dass der Abstand zwischen Anschlagsschienen (16a) und Sägeblatt (6) mindestens 8 mm beträgt.
- Die verschiebbare Anschlagsschiene (16a) muss sich in der inneren Position befinden (**Rechte Seite**).
- Prüfen Sie vor dem Schnitt, dass zwischen den Anschlagsschienen (16a) und dem Sägeblatt (6) keine Kollision möglich ist.
- Feststellschraube (16b) wieder anziehen.
- Maschinenkopf (4) in die obere Stellung bringen.
- Den Drehtisch (14) auf 0° Stellung fixieren.
- Die Feststellschraube (22) lösen. Mit dem Handgriff (1) den Maschinenkopf (4) nach links neigen, bis der Zeiger (19) auf das gewünschte Winkelmaß an der Skala (18) zeigt.
- Feststellschraube (22) wieder festziehen.
- Schnitt wie unter Punkt 10.4 beschrieben durchführen.

10.7 Gehrungsschnitt 0° - 45° und Drehtisch 0° - 45° (Abb. 1/2/4/12)

Mit der Kapp- und Zugsäge können Gehrungsschnitte nach links von 0° - 45° zur Arbeitsfläche und gleichzeitig 0° - 45° zur Anschlagsschiene ausgeführt werden (Doppelgehrungsschnitt).

Achtung!

Die verschiebbare Anschlagsschiene (16a) muss für Gehrungsschnitte (geneigter Sägekopf) in der äußeren Position fixiert werden. (**Linke Seite**).

- Öffnen Sie die Feststellschraube (16b) der verschiebbaren Anschlagsschienen (16a) und schieben Sie die verschiebbaren Anschlagsschienen (16a) nach außen.
- Die verschiebbaren Anschlagsschienen (16a) müssen so arretiert werden, dass der Abstand zwischen Anschlagsschienen (16a) und Sägeblatt (6) mindestens 8 mm beträgt.
- Prüfen Sie vor dem Schnitt, dass zwischen den Anschlagsschienen (16a) und dem Sägeblatt (6) keine Kollision möglich ist.
- Feststellschraube (16b) wieder anziehen.
- Maschinenkopf (4) in die obere Stellung bringen.
- Den Drehtisch (14) durch Lockern des Handgriffes (11) lösen.
- Mit dem Handgriff (11) den Drehtisch (14) auf den gewünschten Winkel einstellen (siehe hierzu auch Punkt 10.5).
- Den Handgriff (11) wieder festziehen, um den Drehtisch zu fixieren.
- Die Feststellschraube (22) lösen.
- Mit dem Handgriff (1) den Maschinenkopf (4) nach links, auf das gewünschte Winkelmaß neigen (siehe hierzu auch Punkt 10.6).
- Feststellschraube (22) wieder festziehen.
- Schnitt wie unter Punkt 10.4 beschrieben ausführen.

11. Wartung

⚠ Warnung! Vor jeglicher Einstellung, Instandhaltung oder Instandsetzung Netzstecker ziehen!

11.1 Allgemeine Wartungsmaßnahmen

Wischen Sie von Zeit zu Zeit mit einem Tuch Späne und Staub von der Maschine ab. Ölen Sie zur Verlängerung des Werkzeuglebens einmal pro Monat die Drehteile. Ölen Sie nicht den Motor.

Benutzen Sie zur Reinigung des Kunststoffes keine ätzenden Mittel.

11.2 Reinigung Sicherheitseinrichtung Sägeblattschutz beweglich (5)

Prüfen Sie vor jeglicher Inbetriebnahme den Sägeblattschutz auf Verunreinigungen.

Entfernen Sie alte Sägespäne sowie Holzsplitter unter Zuhilfenahme eines Pinsels oder eines ähnlich geeigneten Werkzeuges.

11.3 Tischeinlage wechseln

Gefahr!

Bei einer beschädigten Tischeinlage (10) besteht die Gefahr, dass sich kleine Gegenstände zwischen Tischeinlage und Sägeblatt verklemmen und das Sägeblatt blockieren. **Tauschen Sie beschädigte Tischeinlagen sofort aus!**

1. Schrauben an Tischeinlage herausdrehen. Ggf. Drehtisch drehen und Sägekopf neigen, um die Schrauben erreichen zu können.
2. Tischeinlage abnehmen.
3. Neue Tischeinlage einsetzen.
4. Schrauben an Tischeinlage festziehen.

11.4 Bürsteninspektion

Prüfen Sie die Kohlebürsten bei einer neuen Maschine nach den ersten 50 Betriebsstunden, oder wenn neue Bürsten montiert wurden. Prüfen Sie sie nach der ersten Prüfung alle 10 Betriebsstunden.

Wenn der Kohlenstoff auf 6 mm Länge abgenutzt ist, die Feder oder der Nebenschlußdraht verbrannt oder beschädigt sind, müssen Sie beide Bürsten ersetzen. Wenn die Bürsten nach dem Ausbau für einsatzfähig befunden werden, können Sie sie wieder einbauen.

Zur Wartung der Kohlebürsten öffnen Sie die beiden Verriegelungen (wie in Abbildung 21 dargestellt) entgegen dem Uhrzeigersinn. Entnehmen Sie anschließend die Kohlebürsten. Setzen Sie die Kohlebürsten in umgedrehter Reihenfolge wieder ein.

11.5 Austausch des Sägeblatts (Abb. 1/2/14-17) Netzstecker ziehen!

Achtung!

Tragen Sie zum Wechseln des Sägeblatts Schutzhandschuhe! Verletzungsgefahr!

- Den Maschinenkopf (4) nach oben schwenken und mit Sicherungsbolzen (23) arretieren.
- Lösen Sie die Befestigungsschraube (5a) der Abdeckung mit einem Kreuzschlitzschraubendreher.

WARNHINWEIS!

Drehen Sie diese Schraube nicht vollständig heraus.

- Sägeblattschutz (5) soweit nach oben klappen, dass der Sägeblattschutz (5) über der Flanschschraube (28) ist.
- Mit einer Hand den Innensechskantschlüssel (C) auf die Flanschschraube (28) setzen.
- Innensechskantschlüssel (C) festhalten und Sägeblattschutz (5) langsam schließen, bis dieser am Innensechskantschlüssel (C) ansteht.
- Sägewellensperre (30) fest drücken und Flanschschraube (28) langsam im Uhrzeigersinn drehen. Nach max. einer Umdrehung rastet die Sägewellensperre (30) ein.
- Jetzt mit etwas mehr Kraftaufwand Flanschschraube (28) im Uhrzeigersinn lösen.
- Flanschschraube (28) ganz heraus drehen und Außenflansch (29) abnehmen.
- Das Sägeblatt (6) vom Innenflansch (31) abnehmen und nach unten herausziehen.
- Flanschschraube (28), Außenflansch (29) und Innenflansch (31) sorgfältig reinigen.
- Das neue Sägeblatt (6) in umgekehrter Reihenfolge wieder einsetzen und festziehen.
- Sägeblattschutz (5) nach unten klappen, bis der Sägeblattschutz (5) in die Befestigungsschraube (5a) einhängt.
- Ziehen Sie die Befestigungsschraube (5a) wieder fest.

• Achtung!

Die Schnittrichtung der Zähne d.h. die Drehrichtung des Sägeblattes (6), muss mit der Richtung des Pfeils auf dem Gehäuse übereinstimmen.

- Vor dem Weiterarbeiten die Funktionsfähigkeit der Schutzeinrichtungen prüfen.

• Achtung!

Nach jedem Sägeblattwechsel prüfen, ob das Sägeblatt (6) in senkrechter Stellung sowie auf 45° gekippt, frei in der Tischeinlage (10) läuft.

• Achtung!

Das Wechseln und Ausrichten des Sägeblattes (6) muss ordnungsgemäß ausgeführt werden.

11.6 Justieren des Lasers (Abb. 19-20)

Falls der Laser (32) nicht mehr die korrekte Schnittlinie anzeigt, kann dieser nachjustiert werden. Öffnen Sie hierzu die Schrauben (32b) und entfernen die vordere Abdeckung (32a). Lösen Sie die Kreuzschlitzschrauben (E). Stellen Sie den Laser durch seitliches Verschieben so ein, dass der Laserstrahl die Schneidzähne des Sägeblattes (6) trifft.

Nachdem Sie den Laser justiert und festgezogen haben, montieren Sie die vordere Abdeckung und ziehen hierfür die beiden Schrauben (32b) handfest an.

Die Maschine muss zum Justieren des Lasers an das Stromnetz angeschlossen sein.

Achtung!

Betätigen Sie beim Justieren des Lasers auf keinen Fall den Ein-/Ausschalter (2). Verletzungsgefahr!

11.7 Service-Informationen

Es ist zu beachten, dass bei diesem Produkt folgende Teile einem gebrauchsgemäßen oder natürlichen Verschleiß unterliegen bzw. folgende Teile als Verbrauchsmaterialien benötigt werden. Verschleißteile*: Kohlebürsten, Sägeblatt, Tischeinlage (Art.-Nr. 5901215010), Spänefangsack

* nicht zwingend im Lieferumfang enthalten!

12. Transport

- Handgriff (11) festziehen, um den Drehtisch (14) zu verriegeln.
- Maschinenkopf (4) nach unten drücken und mit Sicherungsbolzen (23) arretieren. Die Säge ist nun in der unteren Stellung verriegelt.
- Zugfunktion der Säge mit der Feststellschraube für Zugführung (20) in der hinteren Position fixieren.
- Maschine am feststehenden Säge Tisch (15) tragen.
- Zum erneuten Aufbau der Maschine, wie unter Kapitel 8 und 9 beschrieben vorgehen.

13. Lagerung

Lagern Sie das Gerät und dessen Zubehör an einem dunklen, trockenen und frostfreien sowie für Kinder unzugänglichen Ort. Die optimale Lagertemperatur liegt zwischen 5 und 30°C. Bewahren Sie das Elektrowerkzeug in der Originalverpackung auf.

Decken Sie das Elektrowerkzeug ab, um es vor Staub oder Feuchtigkeit zu schützen.

Bewahren Sie die Bedienungsanleitung bei dem Elektrowerkzeug auf.

14. Elektrischer Anschluss

Der installierte Elektromotor ist betriebsfertig angeschlossen. Der Anschluss entspricht den einschlägigen VDE- und DIN-Bestimmungen. Der kundenseitige Netzanschluss sowie die verwendete Verlängerungsleitung müssen diesen Vorschriften entsprechen.

- Das Produkt erfüllt die Anforderungen der EN 61000-3-11 und unterliegt Sonderanschlussbedingungen. Das heißt, dass eine Verwendung an beliebigen frei wählbaren Anschlusspunkten nicht zulässig ist.
- Das Gerät kann bei ungünstigen Netzverhältnissen zu vorübergehenden Spannungsschwankungen führen.
- Das Produkt ist ausschließlich zur Verwendung an Anschlusspunkten vorgesehen, für die folgende Voraussetzungen gelten:
 - a) Eine maximale zulässige Netzimpedanz "Z" ($Z_{\max} = 0,339 \Omega$) darf nicht überschritten werden.
 - b) Eine Dauerstrombelastbarkeit des Netzes von mindestens 100 A je Phase muss gegeben sein.
- Sie müssen als Benutzer sicherstellen, dass Ihr Anschlusspunkt, an dem Sie das Produkt betreiben, eine der beiden genannten Anforderungen a) oder b) erfüllt. Halten Sie bei Bedarf Rücksprache mit Ihrem Energieversorgungsunternehmen.

Wichtige Hinweise

Bei Überlastung des Motors schaltet dieser selbständig ab. Nach einer Abkühlzeit (zeitlich unterschiedlich) lässt sich der Motor wieder einschalten.

Schadhafte Elektro-Anschlussleitung

An elektrischen Anschlussleitungen entstehen oft Isolationsschäden.

Ursachen hierfür können sein:

- Druckstellen, wenn Anschlussleitungen durch Fenster oder Türspalten geführt werden.
- Knickstellen durch unsachgemäße Befestigung oder Führung der Anschlussleitung.
- Schnittstellen durch Überfahren der Anschlussleitung.
- Isolationsschäden durch Herausreißen aus der Wandsteckdose.
- Risse durch Alterung der Isolation.

Solch schadhafte Elektro-Anschlussleitungen dürfen nicht verwendet werden und sind aufgrund der Isolationsschäden lebensgefährlich.

Elektrische Anschlussleitungen regelmäßig auf Schäden überprüfen. Achten Sie darauf, dass beim Überprüfen die Anschlussleitung nicht am Stromnetz hängt.

Elektrische Anschlussleitungen müssen den einschlägigen VDE- und DIN-Bestimmungen entsprechen. Verwenden Sie nur Anschlussleitungen mit gleicher Kennzeichnung.

Ein Aufdruck der Typenbezeichnung auf dem Anschlusskabel ist Vorschrift.

Wenn die Netzanschlussleitung dieses Gerätes beschädigt wird, muss sie durch eine besondere Anschlussleitung ersetzt werden, die vom Hersteller oder seinem Kundendienst erhältlich ist.

Wechselstrommotor:

Die Netzspannung muss 220 - 240 V~ betragen.

- Verlängerungsleitungen bis 25 m Länge müssen einen Querschnitt von 1,5 Quadratmillimeter aufweisen.

Anschlüsse und Reparaturen der elektrischen Ausrüstung dürfen nur von einer Elektro-Fachkraft durchgeführt werden.

Bei Rückfragen bitte folgende Daten angeben:

- Stromart des Motors
- Daten des Motor-Typenschildes

15. Entsorgung und Wiederverwertung

Das Gerät befindet sich in einer Verpackung, um Transportschäden zu verhindern. Diese Verpackung ist Rohstoff und ist somit wieder verwendbar oder kann dem Rohstoffkreislauf zurückgeführt werden.

Das Gerät und dessen Zubehör bestehen aus verschiedenen Materialien, wie z.B. Metall und Kunststoffe. Führen Sie defekte Bauteile der Sondermüllentsorgung zu. Fragen Sie im Fachgeschäft oder in der Gemeindeverwaltung nach!



Die Verpackung besteht aus umweltfreundlichen Materialien, die Sie über die örtlichen Recyclingstellen entsorgen können.

Möglichkeiten zur Entsorgung des ausgedienten Gerätes erfahren Sie bei Ihrer Gemeinde- oder Stadtverwaltung.

Altgeräte dürfen nicht in den Hausmüll!



Dieses Symbol weist darauf hin, dass dieses Produkt gemäß Richtlinie über Elektro- und Elektronik-Altgeräte (2012/19/EU) und nationalen Gesetzen nicht über den Hausmüll entsorgt werden darf. Dieses Produkt muss bei einer dafür vorgesehenen Sammelstelle abgegeben werden. Dies kann z. B. durch Rückgabe beim Kauf eines ähnlichen Produkts oder durch Abgabe bei einer autorisierten Sammelstelle für die Wiederaufbereitung von Elektro- und Elektronik-Altgeräten geschehen. Der unsachgemäße Umgang mit Altgeräten kann aufgrund potentiell gefährlicher Stoffe, die häufig in Elektro und Elektronik-Altgeräten enthalten sind, negative Auswirkungen auf die Umwelt und die menschliche Gesundheit haben. Durch die sachgemäße Entsorgung dieses Produkts tragen Sie außerdem zu einer effektiven Nutzung natürlicher Ressourcen bei. Informationen zu Sammelstellen für Altgeräte erhalten Sie bei Ihrer Stadtverwaltung, dem öffentlich-rechtlichen Entsorgungsträger, einer autorisierten Stelle für die Entsorgung von Elektro- und Elektronik-Altgeräten oder Ihrer Müllabfuhr.

16. Störungsabhilfe

| Störung | Mögliche Ursache | Abhilfe |
|---|--|---|
| Motor funktioniert nicht | Motor, Kabel oder Stecker defekt, Netzsicherungen durchgebrannt. | Maschine vom Fachmann überprüfen lassen. Nie Motor selbst reparieren. Gefahr! Netzsicherungen kontrollieren, evtl. austauschen |
| Der Motor geht langsam an und erreicht die Betriebsgeschwindigkeit nicht. | Spannung zu niedrig, Wicklungen beschädigt, Kondensator durchgebrannt. | Spannung durch Elektro-Fachkraft kontrollieren lassen. Motor durch einen Fachmann kontrollieren lassen. Kondensator durch einen Fachmann austauschen lassen. |
| Motor macht zu viel Lärm. | Wicklungen beschädigt, Motor defekt. | Motor durch einen Fachmann kontrollieren lassen. |
| Der Motor erreicht nicht die volle Leistung. | Stromkreise in Netzanlage überlastet (Lampen, andere Motoren, etc.). | Verwenden Sie keine andere Geräte oder Motoren auf demselben Stromkreis. |
| Motor überhitzt sich leicht. | Überlastung des Motors, ungenügende Kühlung des Motors. | Überlastung des Motors beim Schneiden verhindern, Staub vom Motor entfernen, damit eine optimale Kühlung des Motors gewährleistet ist. |
| Sägeschnitt ist rau oder gewellt. | Sägeblatt stumpf, Zahnform nicht geeignet für die Materialdicke. | Sägeblatt nachschärfen bzw. geeignetes Sägeblatt einsetzen. |
| Werkstück reißt aus bzw. splittert. | Schnittdruck zu hoch bzw. Sägeblatt für Einsatz nicht geeignet. | Geeignetes Sägeblatt einsetzen. |

17. Garantiekunde

Sehr geehrte Kundin, sehr geehrter Kunde,

Sehr geehrte Kundin, sehr geehrter Kunde,

unsere Produkte unterliegen einer strengen Qualitätskontrolle. Sollte dieses Gerät dennoch einmal nicht einwandfrei funktionieren, bedauern wir dies sehr und bitten Sie, sich an unseren Servicedienst unter der auf dieser Garantiekarte angegebenen Adresse zu wenden. Gern stehen wir Ihnen auch telefonisch über die unten angegebene Servicrufnummer zur Verfügung. Für die Geltendmachung von Garantieansprüchen gilt Folgendes:

- Diese Garantiebedingungen regeln zusätzliche Garantieleistungen. Ihre gesetzlichen Gewährleistungsansprüche werden von dieser Garantie nicht berührt. Unsere Garantieleistung ist für Sie kostenlos.
- Die Garantieleistung erstreckt sich ausschließlich auf Mängel, die auf Material- oder Herstellungsfehler zurückzuführen sind und ist auf die Behebung dieser Mängel bzw. den Austausch des Gerätes beschränkt. Bitte beachten Sie, dass unsere Geräte bestimmungsgemäß nicht für den gewerblichen, handwerklichen oder industriellen Einsatz konstruiert wurden. Ein Garantievertrag kommt daher nicht zustande, wenn das Gerät in Gewerbe-, Handwerks- oder Industriebetrieben sowie bei gleichzusetzenden Tätigkeiten eingesetzt wird. Von unserer Garantie sind ferner Ersatzleistungen für Transportschäden, Schäden durch Nichtbeachtung der Montageanleitung oder aufgrund nicht fachgerechter Installation, Nichtbeachtung der Gebrauchsanleitung (wie durch z. B. Anschluss an eine falsche Netzspannung oder Stromart), missbräuchliche oder unsachgemäße Anwendungen (wie z. B. Überlastung des Gerätes oder Verwendung von nicht zugelassenen Einsatzwerkzeugen oder Zubehör), Nichtbeachtung der Wartungs- und Sicherheitsbestimmungen, Eindringen von Fremdkörpern in das Gerät (wie z. B. Sand, Steine oder Staub), Gewaltanwendung oder Fremdeinwirkungen (wie z. B. Schäden durch Herunterfallen) sowie durch verwendungsgemäßen, üblichen Verschleiß ausgeschlossen.

Der Garantieanspruch erlischt, wenn an dem Gerät bereits Eingriffe vorgenommen wurden.

- Die Garantiezeit beträgt 3 Jahre und beginnt mit dem Kaufdatum des Gerätes. Garantieansprüche sind vor Ablauf der Garantiezeit innerhalb von zwei Wochen, nachdem Sie den Defekt erkannt haben, geltend zu machen. Die Geltendmachung von Garantieansprüchen nach Ablauf der Garantiezeit ist ausgeschlossen. Die Reparatur oder der Austausch des Gerätes führt weder zu einer Verlängerung der Garantiezeit noch wird eine neue Garantiezeit durch diese Leistung für das Gerät oder für etwaige eingebaute Ersatzteile in Gang gesetzt. Dies gilt auch bei Einsatz eines Vor-Ort-Services.
- Für die Geltendmachung Ihres Garantieanspruches wenden Sie sich bitte an die unten angegebene Service-Adresse. Sofern die Reklamation innerhalb der Garantiezeit liegt, werden wir Ihnen einen Retourenschein zur Verfügung stellen, mit dem Sie Ihr defektes Gerät kostenfrei an uns zurücksenden können. Beschreiben Sie uns bitte den Reklamationsgrund möglichst genau. Ist der Defekt des Gerätes von unserer Garantieleistung erfasst, erhalten Sie umgehend ein repariertes oder neues Gerät zurück.

Selbstverständlich beheben wir gegen Erstattung der Kosten auch gerne Defekte am Gerät, die vom Garantiumfang nicht oder nicht mehr erfasst sind. Dazu senden Sie das Gerät bitte an unsere Serviceadresse.

Service-Hotline (DE):

+800 4003 4003
(0,00 EUR/Min.)

Service-Hotline (AT):

+800 4003 4003
(0,00 EUR/Min.)

Service-Hotline (CH):

+800 4003 4003
(0,00 EUR/Min.)

Service-Email (DE):

service.DE@schepfach.com

Service-Email (AT):

service.AT@schepfach.com

Service-Email (CH):

service.CH@schepfach.com

Service-Adresse (DE):

schepfach Fabrikation von
Holzbearbeitungsmaschinen GmbH
Günzburger Str. 69
DE - 89335 Ichenhausen

Service-Adresse (AT):

Gausch Hubert
Bairisch Kölldorf 267
AT - 8344 Bad Gleichenberg

Service-Adresse (CH):

Klaus-Häberling AG
Industriestraße 6
CH - 8610 Uster



Auf www.lidl-service.com können Sie diese und viele weitere Handbücher, Produktvideos und Installationssoftware herunterladen.

Mit dem QR-Code gelangen Sie direkt auf die Lidl-Service-Seite (www.lidl-service.com) und können mittels der Eingabe der Artikelnummer (IAN) 338493_2007 ihre Bedienungsanleitung öffnen.

| | | |
|-----|---|-----|
| 1. | Légende des symboles figurant sur l'appareil..... | 31 |
| 2. | Introduction..... | 32 |
| 3. | Description de la machine (ill. 1-22)..... | 32 |
| 4. | Ensemble de livraison..... | 33 |
| 5. | Utilisation conforme..... | 33 |
| 6. | Consignes de sécurité..... | 33 |
| 7. | Caractéristiques techniques..... | 37 |
| 8. | Avant la mise en service..... | 37 |
| 9. | Montage..... | 38 |
| 10. | Utilisation..... | 39 |
| 11. | Maintenance..... | 40 |
| 12. | Transport..... | 41 |
| 13. | Stockage..... | 41 |
| 14. | Raccordement électrique..... | 41 |
| 15. | Mise au rebut et recyclage..... | 42 |
| 16. | Dépannage..... | 43 |
| 17. | Certificat de garantie..... | 44 |
| 18. | Déclaration de conformité..... | 131 |

1. Légende des symboles figurant sur l'appareil



FR BE

Avant la mise en service, lisez le manuel d'utilisation et les consignes de sécurité, et respectez-les!



FR BE

Portez des lunettes de protection!



FR BE

Portez une protection auditive!



FR BE

Portez un masque anti-poussière!



FR CH

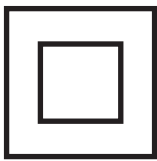
Attention! Risque de blessure! Ne mettez pas vos doigts sur la lame en rotation!



Achtung! - Laserstrahlung
Nicht in den Strahl blicken!
Laser Klasse 2
Laserspezifikation nach EN 60825-1:2014
λ = 650 nm P_e < 1 mW

FR BE

Attention! Rayonnement Laser



FR BE

Classe de protection II (double isolation)

2. Introduction

FABRICANT :

scheppach

Fabrikation von Holzbearbeitungsmaschinen GmbH
Günzburger Straße 69
D-89335 Ichenhausen

CHERS CLIENTS,

Nous vous souhaitons beaucoup de plaisir et de succès lors de l'utilisation de votre nouvel appareil.

REMARQUE :

Selon la loi en vigueur sur la responsabilité du fait des produits, le fabricant n'est pas tenu responsable pour tous les dommages à cet appareil ou pour tous les dommages survenant lors de l'utilisation de cet appareil, dans les cas suivants :

- Mauvaise manipulation,
- Non-respect des instructions d'utilisation,
- Travaux de réparation effectués par des tiers, par des spécialistes non agréés,
- Remplacement et installation de pièces de rechange qui ne sont pas d'origine,
- Utilisation non conforme,
- Lors d'une défaillance du système électrique en cas de non-conformité avec les réglementations électriques et les normes VDE 0100, DIN 57113 / VDE0113.

Nous vous conseillons :

De lire intégralement le manuel d'utilisation, avant d'effectuer le montage et la mise en service.

Le présent manuel d'utilisation vous facilitera la prise en main et la connaissance de la machine, tout en vous permettant d'utiliser pleinement le potentiel dans le cadre d'une utilisation conforme.

Les instructions importantes qu'il contient vous apprendront comment travailler avec la machine de manière sûre, rationnelle et économique ; comment éviter les dangers, réduire les coûts de réparation et réduire les périodes d'indisponibilité ; comment enfin augmenter la fiabilité et la durée de vie de la machine.

En plus des consignes de sécurité contenues dans ce manuel d'utilisation, vous devez respecter scrupuleusement les réglementations et les lois applicables lors de l'utilisation de la machine dans votre pays.

Conservez le manuel d'utilisation dans une pochette plastique pour le protéger de la saleté et de l'humidité, auprès de la machine. Avant de commencer à travailler avec la machine, chaque utilisateur doit lire le manuel d'utilisation puis le suivre attentivement.

Seules les personnes formées à l'utilisation de la machine et conscientes des risques associés sont autorisées à travailler avec la machine. L'âge minimum requis doit être respecté.

En plus des consignes de sécurité contenus dans cette notice et de la réglementation en vigueur dans votre pays, vous devez respecter les règles de sécurité généralement reconnues et applicables à des machines comparables.

Nous n'assumons aucune responsabilité concernant les accidents et dommages qui surviendraient à la suite du non-respect des instructions du manuel d'utilisation et des consignes de sécurité.

3. Description de la machine (ill. 1-22)

1. Poignée
 2. Interrupteur Marche /Arrêt
 3. Interrupteur de blocage
 4. Tête de la machine
 5. Protecteur de lame mobile
 - 5a. Vis de fixation
 6. Lame
 7. Presseur
 - 7a. Vis à poignée-étoile
 8. Support de pièce rétractable
 9. Vis d'arrêt du support de pièce rétractable
 10. Insert de table
 11. Poignée / Vis d'arrêt du plateau tournant
 12. Pointeur
 13. Graduation
 14. Plateau tournant
 15. Table fixe
 16. Rail de la butée
 - 16a. Butée mobile
 - 16b. Vis de blocage
 17. Sac collecteur
 18. Échelle angulaire
 19. Indicateur angulaire
 20. Vis de blocage du guidage radial
 21. Guidage radial
 22. Vis de blocage
 23. Arrêt de sécurité
 24. Vis de limitation de la profondeur de coupe
 - 24a. Écrou moleté limitation de profondeur de coupe
 25. Butée de la limitation de profondeur de coupe
 26. Vis de réglage (90°)
 - 26a. Contre-écrou (90°)
 27. Vis de réglage (45°)
 - 27a. Contre-écrou (45°)
 28. Vis de bride
 29. Bride extérieure
 30. Blocage de l'arbre d'entraînement
 31. Bride intérieure
 32. Laser
 - 32a. Recouvrement de boîtier laser
 - 32b. Vis cruciforme
 33. Interrupteur Marche/Arrêt du laser
 34. Étrier de guidage
 35. Levier d'arrêt
 36. Étrier anti-basculement
 37. Butée longitudinale
 38. Vis de réglage
- A.) Equerre à 90° (non comprise dans la livraison)
B.) Equerre à 45° (non comprise dans la livraison)
C.) Clé Allen, 6 mm
D.) Clé Allen, 3 mm
E.) Vis cruciforme (Laser)

4. Ensemble de livraison

- Scie à onglet radiale
- 2 x presseur (7)
- 2 x support de pièce (8) (prémonté)
- Sac collecteur de sciure (17)
- Clé Allen de 6 mm (C)
- Clé Allen de 3 mm (D)
- Manuel d'utilisation

5. Utilisation conforme

La scie à onglet radiale sert à scier le bois et les matières plastiques de dimensions compatibles avec celles de la machine. La scie ne convient pas pour scier du bois de chauffage.

Avertissement!

N'utilisez pas la machine pour couper d'autres matériaux que ceux spécifiés dans le manuel d'utilisation.

Avertissement!

La lame de scie fournie a pour unique vocation de scier le bois! N'utilisez pas cette lame pour scier du bois de chauffage!

La machine doit exclusivement être utilisée conformément à son affectation. Toute utilisation allant au-delà de cette affectation est considérée comme non conforme. Pour les dommages en résultant ou les blessures en tout genre, le fabricant décline toute responsabilité et l'utilisateur est seul responsable.

Seules des lames de scie adaptées à la machine peuvent être utilisées. Il est interdit d'utiliser des disques à tronçonner.

Une utilisation conforme consiste à respecter les consignes de sécurité, ainsi que les instructions de montage et les consignes d'utilisation du manuel d'utilisation.

Les personnes utilisant la machine et en assurant la maintenance doivent bien la connaître et avoir été informées des dangers encourus.

En outre, les consignes de prévention des accidents doivent être respectées de la manière la plus scrupuleuse possible.

Toutes les autres règles édictées par la médecine du travail et les consignes de sécurité générales doivent être respectées. Toute modification de la machine annule toute responsabilité du fabricant quant aux dommages en résultant.

Une utilisation conforme ne permet pas d'exclure totalement certains risques résiduels. De par la construction et la structure de la machine, les accidents suivants peuvent se produire :

- Contact avec la lame de scie dans la zone de sciage non protégée.
- Contact avec la lame de scie en cours de fonctionnement (blessure par coupure).
- Mouvement de recul des pièces et chutes.
- Cassure de la lame de scie.
- Projection d'éléments de métal dur défilants de la lame de scie.
- Perte d'audition en cas de non utilisation d'une protection auditive qui est impérativement nécessaire.
- Émissions de sciure de bois nocives pour la santé lors d'une utilisation en espace clos.

Veillez au fait que nos appareils n'ont pas été conçus pour être utilisés dans un environnement professionnel, industriel ou artisanal. Nous déclinons toute responsabilité si l'appareil venait à être utilisé professionnellement, artisanalement ou par des sociétés industrielles, ainsi que pour toute activité équivalente.

6. Consignes de sécurité

Consignes de sécurité générales pour les outils électriques

⚠ AVERTISSEMENT! Lisez toutes les consignes de sécurité, instructions, illustrations et caractéristiques techniques de cet outil électrique. Toute négligence dans le respect des instructions suivantes peut entraîner un choc électrique, un incendie et/ou des blessures graves.

Conservation à l'avenir toutes les consignes de sécurité et instructions.

Le terme d'« outil électrique » utilisé dans les consignes de sécurité désigne les outils électriques sur secteur (avec câble secteur) et les outils électriques sur batterie (sans câble secteur).

1. Sécurité au poste de travail

- **Faire en sorte que la zone de travail soit propre et bien éclairée.** Le désordre ou des zones de travail non éclairées peuvent entraîner des accidents.
- **Ne pas utiliser l'outil électrique dans un environnement propice aux explosions, où se trouvent des liquides, gaz ou poussières inflammables.** Les outils électriques génèrent des étincelles, susceptibles de mettre le feu à la poussière ou aux vapeurs.
- **Pendant l'utilisation de l'outil électrique, maintenir les enfants et tiers à bonne distance.** Toute déviation peut entraîner une perte de contrôle de l'outil électrique.

2. Sécurité électrique

- **Le connecteur de raccordement de l'outil électrique doit correspondre à la prise de courant. Ne modifier d'aucune manière le connecteur. N'utiliser aucun connecteur adaptateur avec des outils électriques mis à la terre.** Des connecteurs non modifiés et fiches adaptées réduisent le risque de choc électrique.
- **Éviter tout contact physique avec les surfaces mises à la terre, par exemple, tuyaux, chauffages, fours et réfrigérateurs.** Si le corps est mis à la terre, le risque de choc électrique est plus important.
- **Mettre les outils électriques à l'abri de la pluie ou de l'humidité.** La pénétration d'eau dans un outil électrique augmente le risque de choc électrique.
- **Ne pas utiliser le câble de raccordement pour transporter ou suspendre l'outil électrique, ni pour débrancher le connecteur de la prise de courant. Maintenir le câble de raccordement à l'abri de la chaleur, de l'huile, des arêtes coupantes ou des pièces mobiles.** Des câbles de raccordement endommagés ou emmêlés augmentent le risque de choc électrique.

- **Si l'outil électrique est utilisé à l'extérieur, se servir d'une rallonge autorisée pour l'extérieur.** Le recours à une rallonge convenant à l'extérieur réduit le risque de choc électrique.
- **Si l'outil électrique doit impérativement être utilisé en milieu humide, utiliser un disjoncteur différentiel.** Le recours à un disjoncteur de protection à courant de fuite réduit le risque de choc électrique.

3. Sécurité des personnes

- **Se montrer attentif et faire attention à ses actes et procéder avec prudence lors du travail avec un outil électrique. Ne pas utiliser l'outil électrique en cas de fatigue ou si l'on est sous l'influence de drogues, de l'alcool ou de médicaments.** Tout moment d'inattention lors de l'utilisation de l'outil électrique peut conduire à des blessures extrêmement graves.
- **Toujours porter un équipement de protection individuelle et des lunettes de protection.** Quel que soit le type d'outil électrique et son mode d'utilisation, le port d'un équipement de protection individuelle, tel qu'un masque antipoussières, des chaussures de sécurité antidérapantes, un casque de protection ou une protection auditive réduit le risque de blessures.
- **Éviter toute mise en service involontaire. Veiller à ce que l'outil électrique soit arrêté avant de le brancher sur l'alimentation électrique et/ou la batterie, de le prendre ou de le porter.** Le fait de porter l'outil électrique avec le doigt sur l'interrupteur ou alors que l'outil électrique est activé et raccordé à l'alimentation électrique peut entraîner des accidents.
- **Avant d'activer l'outil électrique, retirer les outils de réglage ou clés de serrage.** Tout outil ou clé se trouvant dans une pièce rotative de l'outil électrique peut entraîner des blessures.
- **Éviter toute position du corps anormale. Veiller à adopter une position stable et à toujours maintenir son équilibre.** Ainsi, il est possible de mieux contrôler l'outil électrique en cas de situation inattendue.
- **Porter des vêtements adaptés. Ne pas porter de vêtements amples ou de bijoux. Maintenir les cheveux et vêtements à bonne distance des pièces mobiles.** Les vêtements amples, bijoux ou cheveux longs risquent d'être happés par les pièces mobiles.
- **Si des dispositifs d'aspiration et de collecte des poussières peuvent être montés, veiller à ce qu'ils soient raccordés et utilisés correctement.** Le recours à une aspiration des poussières peut réduire les risques liés à la poussière.
- **Ne pas se laisser aller à une fausse impression de sécurité et négliger de respecter les règles de sécurité applicables aux outils électriques, même une fois parfaitement familiarisé avec l'utilisation de cet outil électrique.** Toute manipulation négligente peut entraîner des blessures graves en quelques fractions de seconde.

4. Utilisation et manipulation de l'outil électrique

- **Ne pas surcharger l'outil électrique. Utiliser l'outil électrique qui convient au travail à réaliser.** L'outil électrique adapté fonctionne en effet de manière plus satisfaisante et plus sûre dans la plage de puissance indiquée.
- **Ne pas utiliser un outil électrique dont l'interrupteur est défectueux.** Un outil électrique qu'il est devenu impossible d'activer ou de désactiver représente un danger et doit être réparé.
- **Retirer le connecteur de la prise de courant et/ou retirer la batterie amovible avant d'entreprendre de régler l'appareil, de remplacer les pièces de l'outil d'insertion ou de déposer l'outil électrique.** Cette mesure de sécurité empêche le démarrage imprévu de l'outil électrique.
- **Conserver les outils électriques inutilisés hors de portée des enfants. L'outil électrique ne doit pas être utilisé par des personnes qui ne sont pas familières de ces outils ou qui n'ont pas lu ces instructions.** Les outils électriques représentent un danger s'ils sont utilisés par des personnes inexpérimentées.
- **Prendre soin des outils électriques et outils auxiliaires. Vérifier si les pièces mobiles fonctionnent parfaitement, ne sont pas bloquées ou si certaines pièces sont cassées ou si endommagées qu'elles nuisent au bon fonctionnement de l'outil électrique. Faire réparer les pièces endommagées avant d'utiliser l'outil électrique.** De nombreux accidents sont dus à des outils électriques mal entretenus.
- **Maintenir les outils de coupe aiguisés et propres.** Des outils de coupe bien entretenus, aux arêtes de coupe aiguisées, se coincent moins et sont plus faciles à guider.
- **Utiliser l'outil électrique, les accessoires, les outils d'insertion, etc. conformément à ces instructions. Tenir compte des conditions de travail et de l'activité à réaliser.** Toute utilisation des outils électriques dans des buts autres que ceux prévus peut entraîner des situations de danger.
- **Veiller à ce que les poignées et leurs surfaces de préhension soient sèches, propres et exemptes d'huile et de graisse.** Des poignées et surfaces de préhension de poignées glissantes compromettent la sécurité d'utilisation et de contrôle de l'outil électrique dans les situations inattendues.

5. Entretien

- **Ne confier la réparation de l'outil électrique qu'à des spécialistes qualifiés et utiliser uniquement des pièces de rechange d'origine.** Ainsi, la sécurité de l'outil électrique est maintenue.

Instructions de sécurité pour les scies à onglets

- a) **Les scies à onglets sont destinées à couper le bois ou des produits assimilés et ne peuvent pas être utilisées avec un disque à tronçonner pour la coupe de matériaux ferreux tels que des barres, tiges, boulons, etc.** La poussière abrasive provoque le grippage des pièces mobiles telles que le protecteur de lame. Les étincelles générées par une coupe abrasive provoquent l'inflammation du protecteur de lame, de l'insert de table et des autres éléments en plastique.
- b) **Utilisez dans la mesure du possible des presseurs pour maintenir la pièce. Lors du maintien de la pièce à la main, il faut toujours placer la main à une distance d'au moins 100 mm de chaque côté de la lame de scie. N'utilisez pas cette scie pour couper des pièces qui sont trop petites pour pouvoir être maintenues en toute sécurité ou tenues à la main.** Une main placée trop près de la lame de scie augmente le risque de blessure par contact avec la lame.
- c) **La pièce doit être fixe et serrée ou maintenue contre le guide et la table. Ne faites jamais avancer la pièce vers la lame ou sciez jamais "à main levée".** Des pièces non maintenues ou mobiles peuvent être éjectées à des vitesses élevées et provoquer de ce fait des blessures.
- d) **Sciez la pièce en exerçant une pression sur la scie. Ne sciez pas la pièce en exerçant une traction sur la scie. Pour effectuer une coupe, levez la tête de scie et placez-la au-dessus de la pièce sans la couper, lancez le moteur, appuyez sur la tête de la scie et sciez la pièce en exerçant une pression sur la tête de la scie.** Une opération de coupe tirante est susceptible de provoquer le déplacement de la lame de scie vers le dessus de la pièce et de propulser violemment ainsi la lame vers l'opérateur.
- e) **Ne laissez jamais votre main croiser la ligne de coupe prévue que ce soit devant ou derrière la lame de scie.** Maintenir la pièce en la maintenant du côté droit de la lame de scie avec la main gauche ou inversement est très dangereux.
- f) **N'approchez jamais les mains de la partie arrière de la butée à une distance de moins de 100 mm de chaque côté de la lame de scie, afin de retirer des copeaux de bois, ou pour toute autre raison lorsque la lame tourne.** Vous risquez de mal apprécier la distance entre votre main et la lame de scie et vous blesser gravement.
- g) **Examinez la pièce avant de la couper. Si la pièce est courbée ou gauchie, serrez-la en plaçant l'extérieur de la face courbée vers la butée. Veillez toujours à ce qu'il n'y ait pas d'espace entre la pièce, le butée et la table le long du trait de scie.** Les pièces déformées ou gauchies peuvent tourner sur elles-mêmes ou se décaler et provoquer un blocage de la lame de scie en rotation lors de la coupe. La pièce ne doit comporter aucun clou ni aucun corps étranger.
- h) **N'utilisez pas la scie tant que la table n'est pas dégagée de tous les outils, de bois, etc., à l'exception de la pièce.** Les petites chutes, les morceaux de bois détachés ou d'autres objets qui entreraient en contact avec la lame en rotation peuvent être éjectés à une vitesse élevée.
- i) **Ne coupez qu'une seule pièce à la fois.** Plusieurs pièces empilées ne peuvent être serrées ou maintenues de manière appropriée et peuvent bloquer la lame ou se déplacer lors de la coupe.
- j) **Assurez-vous que la scie à onglets est placée sur une surface de travail plate et rigide avant utilisation.** Une surface de travail lisse et rigide réduit le risque d'instabilité de la scie à onglets.
- k) **Planifiez votre travail. A chaque changement de réglage de l'angle de biseau ou d'onglet, assurez-vous que la butée réglable est réglée correctement afin de maintenir la pièce et n'entre pas en collision avec la lame ou le protecteur de lame.** Sans mettre l'outil en "MARCHÉ" et sans aucune pièce placée sur la table, déplacez la lame de scie en simulant une coupe complète afin de vous assurer de l'absence de tout obstacle ou de tout risque de sectionnement de la butée.
- l) **En présence de pièces plus larges ou plus longues que le plateau de la table, installez des supports tels que des rallonges de table ou des servantes, par exemple, afin de supporter les correctement les pièces.** Des pièces plus longues ou plus larges que la table de la scie à onglets peuvent basculer si elles ne sont pas soutenues de manière sûre. Un basculement de la pièce sciée ou de la pièce à scier peut soulever le protecteur de lame ou la pièce coupée, ou être éjectée par la lame en rotation.
- m) **Ne demandez pas à une tierce personne de supporter la pièce ou de vous aider à la maintenir.** Un support instable de la pièce peut entraîner le blocage de la lame ou le décalage de la pièce lors de la coupe, vous entraînant, de même que l'assistant, vers la lame en rotation.
- n) **La chute de la pièce coupée ne doit pas être poussée contre la lame de scie en rotation.** Lorsqu'il y a peu d'espace, par exemple lors de l'utilisation de la butée parallèle, la chute peut se gripper contre la lame et être éjectée violemment.
- o) **Utilisez toujours un presseur ou un dispositif de serrage conçu pour maintenir correctement les matériaux ronds tels que les tiges ou les tubes.** Les tiges ont tendance à rouler lors de leur coupe et à se gripper dans la lame attirant votre main et la pièce vers la lame.
- p) **Laissez la lame atteindre sa vitesse maximale avant qu'elle n'entre en contact avec la pièce.** Cela réduit le risque d'éjection de la pièce.
- q) **Lorsque la pièce ou la lame est coincée, arrêtez la scie à onglets. Attendez l'arrêt complet de toutes les parties mobiles et débranchez la prise de la source d'alimentation et/ou retirez la batterie. Dégagez ensuite le matériau coincé.** Si vous continuez à scier lorsque la pièce est coincée Vous risquez de perdre le contrôle de la scie ou d'endommager la scie à onglets.

- r) **Une fois la coupe achevée, relâchez l'interrupteur, abaissez la tête de la scie et attendez l'arrêt de la lame avant de retirer la pièce coupée.** Il est dangereux d'approcher la main de la lame lorsqu'elle est encore en rotation.
- s) **Maintenez la poignée fermement lors de la réalisation d'une coupe partielle ou lorsque vous relâchez l'interrupteur avant que la tête de la scie ait été ramenée à sa position inférieure.** Lors du freinage de la scie peut provoquer une saccade et faire descendre de la tête de la scie, provoquant de ce fait un risque de blessure.

Consignes de sécurité concernant le maniement des lames de scie

- N'utilisez pas de lames de scie endommagées ou déformées.
- N'utilisez pas de lames présentant des fissures. Mettez les lames présentant des fissures hors service. Il est interdit de les réparer.
- N'utilisez pas de lames en acier rapide.
- Vérifiez systématiquement l'état des lames avant d'utiliser la scie à onglets.
- Veillez à choisir systématiquement une lame de scie correspondant au matériau à découper.
- Utilisez uniquement les lames de scie déterminées par le fabricant.
Les lames de scies destinées à la coupe du bois et de matériaux assimilés doivent impérativement être conformes à la norme EN 847-1.
- N'utilisez pas de lames de scie en acier rapide fortement alliés (acier HSS).
- Utilisez uniquement des lames dont le régime maximum n'est pas inférieur au régime maximum de l'entraînement de la scie à onglet et qui correspondent au matériau à scier.
- Respectez le sens de rotation de la lame de scie.
- Ne remplacez la lame de scie que si vous êtes familiarisé avec son maniement.
- Respectez la vitesse de rotation maximale. La vitesse de rotation maximale indiquée sur la lame ne doit pas être dépassée. Si une plage de vitesse de rotation est indiquée, respectez-la.
- Éliminez les impuretés, la graisse, l'huile et l'eau des surfaces de serrage.
- N'utilisez pas de bagues ou de douilles de réduction indépendantes pour réduire les alésages des lames de scie circulaire.
- Veillez à ce que les bagues de réduction fixées servant à sécuriser la position de la lame présentent le même diamètre et soient égales à au moins 1/3 du diamètre de coupe.
- Veillez à ce que les bagues de réduction fixées soient parallèles les unes aux autres.
- Manipulez les lames avec prudence. Conservez-les de préférence dans leur emballage d'origine ou dans des protections spéciales. Portez des gants pour une prise en main plus sûre et pour réduire encore le risque de blessures.
- Avant d'utiliser les lames, veillez à ce que tous les dispositifs de protection soient bien fixés.

- Avant toute utilisation, veillez à ce que la lame réponde aux exigences techniques de l'outil électrique et à ce qu'elle soit bien fixée.
- Utilisez la lame de scie fournie exclusivement pour scier du bois et jamais pour scier du métal.
- Utilisez exclusivement des lames dont le diamètre correspond aux indications apposées sur la scie à onglet.
- Utilisez des supports supplémentaires pour maintenir la pièce en position stable lorsque nécessaire.
- Les supports de pièces rétractables doivent toujours être utilisés et fixés pendant le travail.
- Remplacez les inserts de table usagés!
- Évitez une surchauffe des dents de la lame de scie.
- Évitez que le plastique fonde lors de la coupe de matériaux en plastique.
Pour ce faire utilisez des lames de scie appropriées. Remplacez les lames de scie usées ou endommagées à temps. Si la lame de scie surchauffe, arrêtez la machine. Laissez la lame de scie refroidir avant de continuer à travailler avec la machine.



Attention: Faisceau laser
Ne regardez pas en direction du faisceau
Laser de classe 2



Protégez-vous et protégez votre environnement en appliquant des mesures de prévention des accidents adaptées !

- Ne fixez pas le rayon laser avec vos yeux sans protection.
- Ne regardez jamais directement dans le faisceau laser.
- Le faisceau laser ne doit jamais être dirigé vers des surfaces réfléchissantes, ni vers des animaux ou des personnes. Même un faisceau laser de faible puissance peut provoquer des dommages aux yeux.
- Attention! - si vous procédez autrement qu'en suivant les présentes recommandations, il y a un risque d'exposition dangereuse au faisceau laser.
- N'ouvrez jamais le module du laser. Une exposition fortuite pourrait se produire.
- Le laser ne doit pas être échangé contre un autre type de laser.
- Les réparations du laser ne peuvent être effectuées que par le fabricant du laser ou un représentant agréé.

Risques résiduels

La machine est construite en l'état des connaissances techniques actuelles et selon les règles techniques de sécurité reconnues. Toutefois, des risques résiduels peuvent subsister lors de son utilisation.


- Danger pour la santé dû au courant électrique lors de l'utilisation de câbles de raccordement électriques non conformes.
- Malgré la mise en application de toutes les mesures préventives, des risques résiduels non évidents peuvent subsister.
- Les risques résiduels peuvent être minimisés en observant les « consignes de sécurité », « l'utilisation conforme » ainsi que les instructions d'utilisation de manière générale.

- Ne surchargez pas la machine inutilement : une pression trop importante lors du sciage endommage rapidement la lame de scie, ce qui peut nuire à la précision de coupe et aux performances de la machine lors de son utilisation.
- Lors du sciage de plastique, utilisez toujours des presseurs : les pièces à scier doivent toujours être fixées entre les presseurs.
- Évitez toute mise en service impromptue de la machine: lors de l'introduction de la fiche dans la prise, la touche de mise en marche ne doit pas être actionnée.
- Utilisez la lame recommandée dans le présent manuel. Votre scie conservera ainsi des performances optimales.
- Faites en sorte de ne pas placer vos mains dans la zone de coupe si la machine est en cours de fonctionnement.
- Avant d'entreprendre une opération de réglage ou d'entretien, relâchez la touche de la poignée et débranchez la machine.

Avertissement!

Pendant son fonctionnement, cet outil électrique génère un champ électromagnétique. Ce champ peut dans certaines circonstances nuire aux implants médicaux actifs ou passifs. Pour réduire les risques de blessures graves voire mortelles, nous recommandons aux personnes porteuses d'implants médicaux de consulter leur médecin, ainsi que le fabricant de leur implant avant d'utiliser l'outil électrique.

7. Caractéristiques techniques

| | |
|--|--|
| Moteur à courant alternatif..... | 220 - 240 V~ 50 Hz |
| Puissance S1..... | 1700 Watt |
| Type de service..... | S6 25%* 2000W |
| Vitesse de rotation à vide n_0 | 4800 min ⁻¹ |
| Lame de scie au carbure..... | ∅ 210 x ∅ 30 x 2,6 mm |
| Nombre de dents..... | 24 |
| Largeur maximum des dents de la lame de scie..... | 3 mm |
| Plage de rotation..... | -45° / 0° / +45° |
| Coupe d'onglet..... | 0° à 45° vers la gauche |
| Largeur de coupe à 90°..... | 340 x 65 mm |
| Largeur de coupe à 45°..... | 240 x 65 mm |
| Largeur de coupe à 2 x 45° (coupe d'onglet + inclinaison)..... | 240 x 38 mm |
| Classe de protection..... | II /  |
| Poids..... | ca. 12,15 kg |
| Classe du laser..... | 2 |
| Longueur d'ondes du laser..... | 650 nm |
| Puissance laser..... | < 1 mW |

* Type de service S6, service périodique à charge intermittente. Le fonctionnement comporte une durée de mise en route, une durée de fonctionnement à régime constant et une durée de fonctionnement à vide. Le cycle de fonctionnement est de 10 minutes, la durée de fonctionnement effective est de 25% du cycle.

La pièce à scier doit avoir une hauteur de 3 mm et une largeur de 10 mm au minimum. Veillez à ce que la pièce à scier soit toujours fixée avec le dispositif de serrage.

Bruit

Les valeurs du bruit émis ont été déterminées conformément à la norme EN 62841.

Niveau de pression acoustique L_{PA} 96,5 dB(A)
Incertitude K_{PA} 3 dB
Niveau de puissance acoustique L_{WA} ... 109,5 dB(A)
Incertitude K_{WA} 3 dB

Portez une protection auditive.

Les nuisances sonores peuvent entraîner une perte d'audition.

Les valeurs d'émission de bruit ont été mesurées selon un processus d'essai normalisé et peuvent servir à comparer les valeurs d'un outil électrique à un autre.

Les valeurs d'émission de bruit indiquées peuvent également servir à évaluer préalablement les risques encourus lors de l'exposition.

Avertissement:

- Lors de l'utilisation réelle de l'outil électrique, les valeurs d'émission de bruit peuvent différer des valeurs indiquées en fonction de l'utilisation de l'outil électrique et particulièrement en fonction du matériau usiné.
- Essayez de réduire les contraintes au maximum. Par exemple en limitant la durée du travail. Il faut tenir compte de l'ensemble du cycle (par exemple, les temps pendant lesquels la machine est arrêtée et les temps pendant lesquels, la machine est en fonction mais tourne à vide).

8. Avant la mise en service

- Ouvrez l'emballage et sortez-en la machine soigneusement.
- Retirez les matériaux d'emballage ainsi que les sécurités mises en place pour le transport (le cas échéant).
- Vérifiez que les fournitures sont complètes.
- Inspectez l'outil et les accessoires, assurez-vous qu'il n'y a pas eu de dommages liés au transport.
- Conservez l'emballage jusqu'à la fin de la période de garantie, si possible.

ATTENTION

L'appareil et les matériaux d'emballage ne sont pas des jouets ! Les enfants ne doivent en aucun cas jouer avec les sacs en plastique, films d'emballage et pièces de petite taille ! Il y a un risque d'ingestion et d'asphyxie !

- La machine doit être mise en place de façon à être stable. Fixez la machine sur un établi, un bâti ou placez 4 vis (non comprises dans les fournitures) dans les alésages situés sur la table de scie fixe (15). Serrez les vis.
- Desserrez la protection contre le basculement prémontée (36) sur la partie inférieure de la scie, sortez-la complètement et refixez-la à l'aide de la clé à six pans creux (D).
- Réglez la vis de réglage (38) sur le niveau du plateau, pour éviter tout basculement de la machine.
- Avant la mise en service, les protections et dispositifs de sécurité doivent être montés dans les règles de l'art.
- La lame de scie doit pouvoir tourner librement.

- Veillez aux corps étrangers présents dans les bois de récupération, comme par exemple, les clous et vis, etc.
- Avant d'actionner l'interrupteur marche / arrêt, assurez-vous que la lame de scie est montée correctement. Les éléments mobiles doivent fonctionner librement.
- Avant le raccordement, vérifiez si les données de la plaque signalétique correspondent bien aux données du réseau.

8.1 Vérification de la mobilité du dispositif de sécurité de protection de la lame (5)

Le protecteur de lame protège d'un contact avec la lame et des projections de sciures rotation.

Vérification du fonctionnement

Pour ce faire abaissez la tête de la scie vers le bas :

- Le protecteur de lame doit découvrir la lame lorsque l'on abaisse la tête de la scie, sans toucher d'autre élément.
- Lorsque l'on relève la tête de la scie, le protecteur de lame de scie doit recouvrir automatiquement la lame.

9. Montage

9.1 Montage de la scie à onglet radiale (Fig. 1/2/4)

- Pour orienter le plateau tournant (14), desserrez la poignée (11) d'environ 2 tours et relevez le levier d'arrêt (35) avec l'index.
- Faites tourner le plateau tournant (14) pour amener le pointeur (12) à l'angle désiré sur la graduation (13) et fixez la position à l'aide de la poignée (11).
- Appuyez légèrement sur la tête de la machine (4) tout en retirant et en tournant le boulon d'arrêt (23) du support de moteur pour débloquer la scie de sa position inférieure.
- Tourner le boulon de fixation (23) de 90 degrés pour le fixer en position déverrouillée.
- Relevez la tête de la machine (4).
- Les presseurs (7) peuvent être fixés aussi bien à gauche qu'à droite sur la table de scie fixe (15). Insérez les presseurs (7) dans les orifices prévus à l'arrière de la butée (16) et bloquez-les à l'aide des boutons moletés (7a). Pour les coupes de 0°-45° le presseur (7) ne peut être positionné que d'un côté (à droite) (Voir Fig. 11-12).
- La tête de machine (4) peut être inclinée vers la gauche de 45° au maximum en desserrant la vis de blocage (22).
- Pendant le travail, les supports de pièce rétractables (8) doivent toujours être fixés et utilisés. Réglez-les à la bonne position en desserrant la vis de blocage (9) et resserrez cette vis de blocage (9) fermement après avoir effectué le réglage.

9.2 Sac collecteur de sciure (Fig. 1/22)

La scie est équipée d'un sac collecteur (17) pour la sciure. Rapprochez les ailes à bague métallique du sac de ramassage des copeaux (17) et placez ce dernier au niveau de l'ouverture d'évacuation de la zone du moteur.

Le sac collecteur de sciure (17) peut être vidé grâce à une fermeture à glissière située sur sa face arrière.

9.2.1 Raccordement à un dispositif d'aspiration indépendant

- Raccordez le tuyau à l'embouchure d'aspiration de poussière.
- Le dispositif d'aspiration doit être adapté au matériau usiné.

- Pour aspirer les poussières particulièrement nocives ou cancérogènes, utilisez un dispositif d'aspiration spécial.

9.3 Réglage de précision de la butée pour coupe à 90° (Fig. 1/2/5/6)

Outils nécessaires :

- Clé à six pans creux 6 mm
- Clé plate SW13 (non fournie dans le kit livré)

• L'équerre ne fait pas partie de la livraison.

- Abaissez la tête de la machine (4) et fixez-la à l'aide de l'arrêt de sécurité (23).
- Desserrez la vis de blocage (22).
- Placez l'équerre (A) contre la lame de scie (6) et le plateau tournant (14).
- Desserrez le contre-écrou (26a).
- Tournez la vis de réglage (26) jusqu'à ce que l'angle entre la lame de scie (6) et le plateau tournant (14) soit de 90°.
- Resserrez le contre-écrou (26a) fermement.
- Vérifiez ensuite la position de l'affichage de l'angle, au besoin, desserrez le pointeur (19) à l'aide d'un tournevis cruciforme, placez-le à la position 0° de la graduation angulaire (18) et resserrez la vis de maintien.

9.4 Réglage de précision de la butée pour coupe d'onglet à 45° (Fig. 1/2/5/9/10)

Outils nécessaires :

- Clé à six pans creux 6 mm
- Clé plate SW13 (non fournie dans le kit livré)

• L'équerre ne fait pas partie de la livraison.

- Abaissez la tête de la machine (4) et fixez-la à l'aide de l'arrêt de sécurité (23).
- Fixez le plateau tournant (14) en position 0°.

Attention !

Le rail de butée mobile (16a) doit être fixé en position extérieure pour les coupes d'onglet (tête de scie inclinée). (**côté gauche**).

- Desserrez la vis de blocage (16b) de la butée mobile (16a) et faites coulisser la butée mobile (16a) vers l'extérieur.
- Les butées mobiles (16a) doivent être bloquées de telle sorte que l'écart entre les butées (16a) et la lame de scie (6) soit d'au moins 8 mm.
- La butée mobile (16a) doit se trouver en position intérieure (**côté droit**).
- Avant d'effectuer une coupe, vérifiez qu'il n'y a pas de collision possible entre la lame de scie (6) et la butée mobile (16a).
- Desserrez la manette de blocage (22) et à l'aide de la poignée (1), inclinez la tête de la machine (4) à 45° vers la gauche.
- Placez l'équerre 45° (B) contre la lame de scie (6) et le plateau tournant (14).
- Desserrez le contre-écrou (27a) et réglez la vis d'ajustage (27) jusqu'à ce que l'angle entre la lame de scie (6) et la platine rotative (14) fasse exactement 45°.
- Resserrez le contre-écrou (27a) fermement.
- Vérifiez ensuite la position de l'affichage de l'angle, au besoin, desserrez le pointeur (19) à l'aide d'un tournevis cruciforme, placez-le à la position des 45° de la graduation angulaire (18) et resserrez la vis de maintien.

10. Utilisation

10.1 Utilisation du laser (Fig. 18)

- **Mise en marche:** Appuyez 1 x sur l'interrupteur Marche/Arrêt du laser (33). Un faisceau laser est projeté sur la pièce qui indique exactement le trait de coupe.
- **Arrêt:** Appuyez de nouveau sur l'interrupteur Marche/Arrêt du laser (33).

10.2 Limitation de la profondeur de coupe (sciage de rainures) (Fig. 3/13)

⚠ AVERTISSEMENT

Risque de retour de flamme ! Lors de la réalisation de rainures, il est particulièrement important de ne pas exercer de pression latérale sur la lame de scie. La tête de scie pourrait se relever soudainement le cas échéant ! Lors de la réalisation de rainures, utilisez un dispositif de serrage. Évitez toute pression latérale sur la tête de scie.

- Cette vis (24) permet de régler en continu la profondeur de coupe. Desserrez pour ce faire l'écrou moleté (24a) au niveau de la vis (24). Réglez la profondeur de coupe désirée en vissant ou en dévissant la vis (24). Resserrez ensuite l'écrou moleté (24a) au niveau de la vis (24).
- Contrôlez le réglage en effectuant une coupe d'essai.

10.3 Coupe de série

Pour des coupes répétitives à longueur identique, la butée longitudinale (37) peut être dépliée. Vous pouvez utiliser la butée longitudinale (37) sur le côté droit et le côté gauche.

- Relevez la butée longitudinale (37) vers le haut.
- Desserrez la vis de fixation pour le support de pièce à usiner (9).
- Retirez le support de pièce à usiner (8).
- Réglez la cote souhaitée entre lame de scie et butée longitudinale (37).
- Resserrez à nouveau la vis de fixation pour le support de pièce à usiner (9).
- Exécutez les coupes, tel que cela est décrit sous les points 10.4 à 10.7.

10.4 Coupe à 90° et plateau tournant à 0° (Fig. 1/2/7)

Lors de largeurs de coupe inférieures ou égales à environ 100 mm, la fonction radiale de la scie peut être bloquée à l'aide de la vis de blocage (20) en position arrière. Dans cette position, la machine peut fonctionner en mode pendulaire. Pour une largeur de coupe supérieure à 100 mm, il convient de veiller à ce que la vis de blocage (20) soit desserrée et à ce que la tête de machine (4) soit mobile dans le sens radial.

Attention !

Les butées mobiles (16a) doivent être fixées à leur position intérieure pour effectuer les coupes pendulaires à 90°

- Desserrez les vis de blocage (16b) des butées mobiles (16a) et faites coulisser les butées mobiles (16a) vers l'intérieur.
- Les butées mobiles (16a) doivent être bloquées de telle sorte que l'écart entre les butées (16a) et la lame de scie (6) soit de 8 mm maximum.

- Avant d'effectuer une coupe, vérifiez qu'il n'y a pas de collision possible entre la lame de scie (6) et la butée mobile (16a).
- Resserrez les vis de blocage (16b).
- Placez la tête de la machine (4) en position haute.
- Poussez la tête de la machine (4) vers l'arrière avec la poignée (1) et fixez-la éventuellement à cette position. (en fonction de la largeur de coupe)
- Placez le bois à couper contre le rail de butée (16) et sur le plateau tournant (14).
- Fixez la pièce de bois à l'aide des presseurs (7) sur la table de scie fixe (15) afin d'éviter qu'elle ne se déplace pendant la coupe.
- Déverrouillez l'interrupteur de blocage (3) et appuyez sur l'interrupteur Marche/Arrêt (2) pour faire démarrer le moteur.
- **Lorsque le guidage radial (21) est bloqué :** déplacez la tête de la machine (4) à l'aide de la poignée (1) lentement et avec une légère pression vers le bas, jusqu'à ce que la lame de scie (6) coupe la pièce.
- **Lorsque le guidage radial (21) n'est pas bloqué :** tirez la tête de la machine (4) complètement vers l'avant. Abaissez la poignée (1) lentement et complètement vers le bas en opérant un mouvement régulier avec une légère pression. Poussez à présent la tête de machine (4) lentement et régulièrement complètement vers l'arrière jusqu'à ce que la lame de scie (6) ait complètement coupé la pièce.
- Après avoir terminé la coupe, remplacez la tête de la machine en position haute, de repos et relâchez l'interrupteur Marche/Arrêt (2).

Attention ! Sous l'effet du ressort de rappel, la tête de la machine se déplace automatiquement vers le haut, ne relâchez pas la poignée (1) après la fin de la coupe, mais relevez-la lentement vers le haut en appliquant une légère contre-pression.

10.5 Coupe à 90° et plateau tournant orienté entre 0° et 45° (Fig. 1/7/8)

Avec cette scie à onglet radiale, il est possible de réaliser des coupes d'onglet de 0° à 45° vers la gauche et de 0° à 45° vers la droite par rapport à la butée.

Attention !

La butée mobile (16a) doit être fixée vers l'intérieur pour les coupes à 90°.

- Desserrez la vis de blocage (16b) de la butée mobile (16a) et poussez la butée mobile (16a) vers l'intérieur.
- Les butées mobiles (16a) doivent être bloquées de telle sorte que l'écart entre les butées (16a) et la lame de scie (6) soit d'au moins 8 mm.
- Avant de procéder à la coupe, vérifiez qu'il n'existe aucun risque de collision entre la butée (16a) et la lame de scie (6).
- Resserrez la vis de blocage (16b).
- Desserrez la poignée (11) si celle-ci est serrée. Tirez le levier à cran (35) vers le haut avec votre index. Réglez la platine rotative (14) sur l'angle souhaité à l'aide de la poignée (11).
- La position du pointeur (12) du plateau tournant doit correspondre à la mesure d'angle souhaitée sur la graduation (13) de la table de scie fixe (15).
- Resserrez la poignée (11) afin de bloquer le plateau tournant (14).
- Effectuez la coupe comme décrit au point 10.4.

10.6 Coupe de biais de 0° à 45° et plateau tournant à 0° (Fig. 1/2/11)

A l'aide de la scie à onglet radiale, il est possible d'effectuer des coupes de biais vers la gauche de 0° à 45° par rapport à la surface de la table de scie.

Attention !

Le rail de butée mobile (16a) doit être fixé en position extérieure pour les coupes d'onglet (tête de scie inclinée). (**Côté gauche**).

- Desserrez la vis de blocage (16b) de la butée mobile (16a) et faites coulisser la butée mobile (16a) vers l'extérieur.
- Les butées mobiles (16a) doivent être bloquées de telle sorte que l'écart entre les butées (16a) et la lame de scie (6) soit d'au moins 8 mm.
- Le rail de butée mobile (16a) doit se trouver en position intérieure (**Côté droit**).
- Avant d'effectuer une coupe, vérifiez qu'il n'y a pas de collision possible entre la lame de scie (6) et la butée mobile (16a)
- Resserrez la vis de blocage (16b).
- Placez la tête de machine (4) à sa position supérieure.
- Fixez le plateau tournant (14) en position 0°.
- Desserrez la manette de blocage (22). À l'aide de la poignée (1), inclinez la tête de machine (4) vers la gauche jusqu'à ce que le pointeur (19) indique l'angle désiré sur la graduation (18).
- Resserrez la manette de blocage (22) à fond.
- Réalisez la coupe comme décrit au point 10.4.

10.7 Coupe de biais de 0° à 45° et d'onglet, plateau tournant de 0° à 45° (Fig. 1/2/4/12)

A l'aide de la scie à onglet radiale, il est possible d'effectuer des coupes de biais vers la gauche de 0° à 45° par rapport à la surface de la table de scie et simultanément en onglet de 0° à 45° vers la gauche ou la droite par rapport à la butée (double coupe d'onglet).

Attention !

Le rail de butée mobile (16a) doit être fixé en position extérieure pour les coupes d'onglet (tête de scie inclinée). (**Côté gauche**).

- Desserrez la vis de blocage (16b) de la butée mobile (16a) et faites coulisser la butée mobile (16a) vers l'extérieur.
- Les butées mobiles (16a) doivent être bloquées de telle sorte que l'écart entre les butées (16a) et la lame de scie (6) soit d'au moins 8 mm.
- Avant de procéder à la coupe, vérifiez qu'il n'existe aucun risque de collision entre la butée (16a) et la lame de scie (6).
- Resserrez la vis de blocage (16b).
- Placez la tête de la machine (4) en position haute.
- Débloquez le plateau tournant (14) en desserrant la poignée (11).
- À l'aide de la poignée (11), placez le plateau tournant (14) à l'angle souhaité (à ce sujet, voir aussi le point 10.5).
- Resserrez la poignée (11) afin de fixer le plateau tournant.
- Desserrez la manette de blocage (22).
- À l'aide de la poignée (1) inclinez la tête de la machine (4) vers la gauche à l'angle souhaité (voir également le point 10.6 à ce sujet).
- Resserrez la vis de blocage (22) à fond.
- Réalisez la coupe comme décrit au point 10.4.

11. Maintenance

⚠ Avertissement! Avant tout réglage, entretien ou réparation, débranchez la fiche du secteur!

11.1 Mesures de maintenance générales

Essuyez de temps en temps la machine à l'aide d'un chiffon afin d'en éliminer la sciure et la poussière. Huilez les pièces mobiles une fois par mois pour prolonger la durée de vie de l'outil. Ne pas huiler le moteur.

Pour nettoyer le plastique, n'utilisez pas de produits corrosifs.

11.2 Nettoyage du protecteur de lame mobile (5)

Avant chaque utilisation, vérifiez si le protecteur de lame est encrassé.

Enlevez les éclats de bois et la sciure en utilisant un pinceau ou d'un autre outil approprié.

11.3 Remplacement de l'insert de table

Danger !

Lorsque l'insert de table (10) est endommagé, il y a le risque que de petits éléments se coincent entre l'insert et la lame de scie et la bloquent. **Remplacez immédiatement un insert de table endommagé !**

1. Dévissez les vis de l'insert de table. Si nécessaire faites tourner le plateau tournant et inclinez la tête de la scie pour pouvoir accéder aux vis.
2. Enlevez l'insert de table.
3. Mettez le nouvel insert de table en place.
4. Revissez les vis de l'insert de table fermement.

11.4 Inspection des charbons

En présence d'une machine neuve, vérifiez les charbons après les 50 premières heures de service ou lorsque de nouveaux charbons ont été mis en place. À l'issue du premier contrôle, procédez à un contrôle toutes les 10 heures de service.

Si le carbone est usé sur 6 mm ou si les ressorts ou le fil de connexion de dérivation sont brûlés ou endommagés, les deux charbons doivent être remplacés. Si les charbons sont considérés comme utilisables après démontage, il est possible de les remonter.

Pour effectuer l'entretien des charbons, ouvrez les deux opercules (voir Fig.21) en les tournant dans le sens anti-horaire.

Enlevez les charbons et mettez les nouveaux charbons en place dans l'ordre inverse.

11.5 Remplacement de la lame de scie (Fig. 1/2/14-17)

Débranchez la fiche de la prise de courant du secteur !

Attention !

Portez des gants de protection pour changer la lame de scie ! Risque de blessure !

- Relevez la tête de la machine (4) vers le haut et bloquez-la à l'aide de l'arrêt de sécurité (23).
- Desserrez la vis de fixation (5a) du capot à l'aide d'un tournevis cruciforme.

AVERTISSEMENT!

Ne dévissez pas complètement cette vis.

- Remontez le protecteur de lame (5) jusqu'à ce qu'il passe au-delà de la vis de bride (28).
- De l'autre main, placez la clé Allen (C) sur la vis de bride (28).
- Maintenez la clé Allen (C) et fermez doucement le capot de protection de la lame de la scie (5) jusqu'à ce que celui-ci soit proche de la clé Allen (C).
- Maintenez le blocage de l'arbre de scie (30) enfoncé et tournez lentement la vis de bride (28) dans le sens des aiguilles d'une montre. Après un tour au maximum le dispositif de blocage de scie (30) s'encliquette.
- Desserrez à présent, avec un peu plus de force, la vis de bride (28) en la tournant dans le sens des aiguilles d'une montre.
- Tournez la vis de bride (28) pour la sortir complètement et retirez la bride extérieure (29).
- Enlevez la lame de scie (6) de la bride intérieure (31) en la tirant vers le bas et retirez-la.
- Nettoyez minutieusement la vis de bride (28), la bride extérieure (29) et la bride intérieure (31).
- Placez la nouvelle lame de scie (6) en procédant dans l'ordre inverse et serrez-la à fond.
- Rabattez le protège-lame (5) vers le bas jusqu'à ce que le protège-lame (5) s'enclenche dans la vis de fixation (5a).
- Resserrez la vis de fixation (5a).

• **Attention !**

- L'inclinaison des dents doit correspondre au sens de la flèche située sur le carter, autrement dit au sens de rotation de la lame de scie (6).
- Avant de continuer le travail, vérifiez que le fonctionnement des équipements de protection est correct.

• **Attention !**

Après chaque changement de lame de scie, il faut contrôler si la lame de scie (6) tourne bien librement sans toucher l'insert de table (10) lorsque la lame est en position verticale et lorsqu'elle est inclinée à 45°.

• **Attention !**

Le remplacement et le réglage de la lame de scie (6) doit être réalisé dans les règles de l'art.

11.6 Réglage du laser (Fig. 19-20)

Si le laser (32) n'indique plus correctement le trait de coupe, il peut être ajusté. Pour ce faire, dévissez les vis (32b) et enlevez le couvercle (32a). Desserrez les vis cruciformes (E). Réglez le laser en le poussant latéralement de façon à ce que le faisceau laser atteigne les dents de la lame de scie (6).

Après avoir ajusté le laser et avoir resserré les vis, remettez le couvercle en place et revissez les deux vis (32b) fermement. Pour effectuer l'ajustage du laser, vous devez raccorder la machine au réseau d'électricité.

Attention !

N'actionnez en aucun cas l'interrupteur On/Off (2) lors de l'ajustage du laser. Risque de blessures !

11.7 Informations concernant le service après-vente

Il faut tenir compte du fait que pour ce produit les pièces suivantes sont soumises à une usure liée à l'utilisation et sont donc des consommables non couverts par la garantie.

Pièces d'usure*: Charbons, lame de scie, insert de table (réf. 5901215010), sac de ramassage des copeaux

*Ne font pas partie de l'ensemble de livraison !

12. Transport

- Serrez la poignée (11) afin de verrouiller le plateau tournant (14).
- Abaissez la tête de la machine (4) vers le bas et bloquez-la avec l'arrêt de sécurité (23). La scie est à présent verrouillée en position inférieure.
- Bloquez le guidage radial de la scie avec la vis de blocage du guidage radial (20) en position repoussée vers l'arrière.
- Transportez la machine sur la table de scie fixe (15).
- Pour remettre la machine en place, procédez comme décrit au point 8 et 9.

13. Stockage

Entreposez l'appareil et ses accessoires dans un lieu sombre, sec et à l'abri du gel. Cet emplacement doit être hors de portée des enfants. La température de stockage optimale se situe entre +5° et +30 °C.

Conservez l'outil électrique dans son emballage d'origine.

Recouvrez l'outil électrique afin de le protéger de la poussière ou de l'humidité.

Conservez le manuel d'utilisation à proximité de l'outil électrique.

14. Raccordement électrique

Le moteur électrique installé est prêt à fonctionner une fois raccordé. Le raccordement correspond aux dispositions de la VDE et DIN en vigueur. Le branchement au secteur effectué par le client ainsi que la rallonge électrique utilisée doivent correspondre à ces prescriptions.

- Le produit répond aux exigences de la norme EN 61000-3-11 et est soumis à des conditions de raccordement spéciales. Autrement dit, il est interdit de le brancher sur n'importe quel point de raccordement.
- L'appareil peut entraîner des variations de tension passagères lorsque le réseau n'est pas favorable.
- Le produit est uniquement conçu pour un raccordement à des points, pour lesquels les conditions suivantes s'appliquent :
 - a) une impédance réseau maximale autorisée « Z » ($Z_{max} = 0,339 \Omega$) ne doit pas être dépassée.
 - b) un courant de charge permanent admissible du réseau d'au moins 100 A par phase doit être présent.
- En tant qu'utilisateur, vous devez vous assurer que votre point de raccordement du produit remplit la condition a) ou b). Si nécessaire, contactez votre entreprise de distribution d'énergie.

Consignes importantes

En cas de surcharge du moteur, ce dernier s'arrête de lui-même. Après un temps de refroidissement (d'une durée variable), le moteur peut être remis en marche.

Câble d'alimentation électrique défectueux

Des détériorations de l'isolation sont souvent présentes sur les câbles de raccordement électriques.

Les causes peuvent en être :

- Des écrasements, si les câbles de raccordement passent par des fenêtres ou interstices de portes.
- Des pliures dues à une fixation ou à un cheminement incorrects des câbles de raccordement.
- Des ruptures si l'on a roulé sur le câble.
- Des détériorations de l'isolation dues à un arrachement hors de la prise murale.
- Des fissures dues au vieillissement de l'isolation.

Des câbles de raccordement électriques endommagés de la sorte ne doivent pas être utilisés et, en raison de leur isolation défectueuse, sont mortellement dangereux.

Vérifiez régulièrement que les câbles de raccordement électriques ne sont pas endommagés. Lors du contrôle, veillez à ce que le câble de raccordement ne soit pas connecté au réseau. Les câbles de raccordement électriques doivent correspondre aux dispositions VDE et DIN en vigueur. N'utilisez que les câbles de raccordement dotés du même signe.

L'indication de la désignation du type sur le câble de raccordement est obligatoire.

Si le câble de raccordement au réseau de cet appareil est endommagé, il doit être remplacé par un câble de raccordement spécial par le fabricant ou son service après-vente.

Moteur à courant alternatif:

La tension du réseau doit être de 220 - 240 V~.

- Les conducteurs des rallonges d'une longueur maxi. de 25 m doivent avoir une section de 1,5 mm².

Les raccordements et réparations de l'équipement électrique doivent être réalisés par un électricien.

Pour toute question, veuillez indiquer les données suivantes :

- Type de courant du moteur
- Données figurant sur la plaque signalétique de la machine

15. Mise au rebut et recyclage

L'appareil se trouve dans un emballage permettant d'éviter les dommages dus au transport. Cet emballage est une matière première et peut donc être réutilisé ultérieurement ou être réintroduit dans le circuit des matières premières.

L'appareil et ses accessoires sont en matériaux divers, comme par exemple des métaux et matières plastiques. Les appareils défectueux ne doivent pas être jetés dans les poubelles domestiques. Pour une mise au rebut conforme à la réglementation, l'appareil ou les pièces qui le composent doivent être déposés dans un centre de collecte approprié. Si vous ne connaissez pas de centre de collecte, veuillez vous renseigner auprès de votre revendeur ou de l'administration de votre commune !



L'emballage se compose exclusivement de matières recyclables qui peuvent être mises au rebut dans les déchetteries locales.

Renseignez-vous auprès de votre mairie ou de l'administration municipale concernant les possibilités de mise au rebut des appareils usagés.

Ne jetez pas les anciens appareils avec les déchets ménagers!



Ce symbole indique que conformément à la directive relative aux déchets d'équipements électriques et électroniques (2012/19/UE) et aux lois nationales, ce produit ne doit pas être jeté avec les déchets ménagers. Ce produit doit être remis à un centre de collecte prévu à cet effet. Le produit peut par exemple, être retourné lors de l'achat d'un produit similaire ou être remis à un centre de collecte agréé pour le recyclage d'appareils électriques et électroniques usagés. En raison des substances potentiellement dangereuses souvent contenues dans les appareils électriques et électroniques usagés, la manipulation non conforme des appareils usagés peut avoir un impact négatif sur l'environnement et la santé humaine. Une élimination conforme de ce produit contribue en outre à une utilisation efficace des ressources naturelles. Pour plus d'informations sur les centres de collecte des appareils usagés, veuillez contacter votre municipalité, le service communal d'élimination des déchets, un organisme agréé pour éliminer les déchets d'équipements électriques et électroniques ou le service d'enlèvement des déchets.

16. Dépannage

| Problème | Cause possible | Solution |
|--|---|---|
| Le moteur ne fonctionne pas | Moteur, câble ou connecteur défectueux, fusibles grillés | Faites vérifier la machine par un spécialiste. Ne jamais réparer le moteur vous-même. Danger ! Contrôlez les fusibles, remplacez-les au besoin |
| Le moteur fonctionne lentement et n'atteint pas la vitesse de service. | Tension trop faible, bobinages endommagés, condensateur grillé | Faire contrôler la tension par un électricien spécialisé. Faites contrôler le moteur par un spécialiste. Faites remplacer le condensateur par un spécialiste. |
| Le moteur est trop bruyant | Bobinages endommagés, moteur défectueux | Faites contrôler le moteur par un spécialiste. |
| Le moteur ne fonctionne pas à plein régime. | Circuit de l'installation électrique surchargé (lampes, autres moteurs, etc.) | N'utilisez aucun autre appareil ou moteur sur le même circuit électrique. |
| Le moteur surchauffe facilement. | Surcharge du moteur, refroidissement insuffisant du moteur | Évitez la surcharge du moteur lors de la coupe, éliminez la poussière du moteur pour assurer un refroidissement optimal du moteur. |
| Le trait de scie n'est pas net et pas droit | Lame de scie émoussée, forme des dents inadaptée à l'épaisseur du matériau | Ré-affûtez la lame de scie ou utilisez une lame adaptée |
| La pièce sciée est cassée ou présente des éclats | Pression sur la pièce trop élevée lors de la coupe ou lame de scie inadaptée | Utilisez une lame de scie adaptée |

17. Certificat de garantie

Chère Cliente, Cher Client,

Nos produits sont soumis à un contrôle de qualité très strict. Si cet appareil devait toutefois ne pas fonctionner impeccablement, nous en serions désolés. Dans un tel cas, nous vous prions de bien vouloir prendre contact avec notre service après-vente à l'adresse indiquée sur le bulletin de garantie ou vous adresser au marché de la construction le plus proche. Pour faire valoir une demande de garantie, ce qui suit est valable :

1. Les conditions de garantie règlent les prestations de garantie supplémentaires. Vos droits de garantie légaux ne sont en rien altérés par la garantie présente. Notre prestation de garantie est gratuite.
2. La prestation de garantie s'applique exclusivement aux défauts occasionnés par des vices de fabrication ou de matériau et est limitée à l'élimination de ces défauts ou encore au remplacement de l'appareil. Veillez au fait que nos appareils, conformément à leur affectation, n'ont pas été construits pour être utilisés dans un environnement professionnel, industriel ou artisanal. Un contrat de garantie ne peut avoir lieu dès lors que l'appareil est utilisé à des activités dans des entreprises professionnelles, artisanales ou industrielles ou toute autre activité du même genre. Sont également exclus de notre garantie : les prestations de substitution de dommages dus aux transports, les dommages occasionnés par le non-respect des instructions de montage ou en raison d'une installation non conforme, du non-respect du mode d'emploi (comme par exemple le raccordement à une mauvaise tension réseau ou à un mauvais type de courant), les applications abusives ou non conformes (comme par exemple une surcharge de l'appareil ou encore l'emploi d'accessoires non homologués), le non-respect des prescriptions de maintenance et de sécurité, l'infiltration de corps étrangers dans l'appareil (comme par exemple du sable, des pierres ou de la poussière), l'emploi de la force ou l'influence extérieure (comme par exemple les dommages dus à une chute), ainsi que l'usure normale conforme à l'utilisation. Ceci est particulièrement valable pour les accumulateurs pour lesquels nous offrons toutefois une période de garantie de 12 mois.

Le droit à la garantie disparaît dès lors que des interventions ont lieu sur l'appareil.

3. Le délai de garantie s'élève à 3 ans et commence à la date de l'achat de l'appareil. Les demandes de garanties doivent être présentées avant écoulement du délai de garantie, dans les deux semaines suivant le moment auquel le défaut a été reconnu. Toute reconnaissance de demande de garantie après écoulement du délai de garantie est exclue. La réparation ou l'échange de l'appareil n'entraîne nullement une prolongation de la durée de garantie. Elle ne fait pas non plus commencer un nouveau délai de garantie, en raison de cette prestation, pour l'appareil ou pour toute autre pièce de rechange intégrée. Ceci est également valable lorsqu'un service après-vente sur place a été consulté.
4. Pour faire valoir votre droit à la garantie, contactez le service après-vente à l'adresse indiquée ci-dessous. Si vous formulez votre réclamation pendant la période de validité de la garantie, nous vous ferons parvenir un bon de retour qui vous permettra de nous retourner sans frais l'appareil défectueux. Décrivez la raison de la réclamation le plus précisément possible. Si le défaut de l'appareil est compris dans notre prestation de garantie, nous vous retournerons sans délai un appareil réparé ou encore un nouveau.

Hotline du service (FR):

+800 4003 4003
(0,00 €/Min.)

Service-hotline (BE):

+800 4003 4003
(0,00 €/Min.)

Email du service (FR):

service.FR@schepach.com

E-mailadres (BE):

service.BE@schepach.com

Adresse du service (FR):

Schepach France Strassburg
2, Impasse Jean Millot
FR - 6700 Strasbourg

Serviceadres (BE):

EURO Elektrowerkzeug- und Maschinen Service
Bürgerbuschweg 20
DE - 51381 Leverkusen



À l'adresse www.lidl-service.com, vous pouvez télécharger ce manuel et bien d'autres, les vidéos de produit et les logiciels d'installation.

Le QR-Code vous permet d'accéder directement à la page de service Lidl (www.lidl-service.com) et d'ouvrir votre notice d'utilisation à l'aide du numéro d'article (IAN) 338493_2007.

| | | |
|-----|---|-----|
| 1. | Verklaring van de symbolen op het toestel | 46 |
| 2. | Inleiding | 47 |
| 3. | Beschrijving van het toestel (fig. 1-22) | 47 |
| 4. | Leveringsomvang..... | 48 |
| 5. | Doelmatig gebruik..... | 48 |
| 6. | Veiligheidswaarschuwingen | 48 |
| 7. | Technische gegevens | 52 |
| 8. | Vóór ingebruikneming..... | 52 |
| 9. | Montage..... | 53 |
| 10. | Bediening..... | 54 |
| 11. | Onderhoud..... | 55 |
| 12. | Vervoer..... | 56 |
| 13. | Opbergen..... | 56 |
| 14. | Elektrische aansluiting..... | 56 |
| 15. | Afvalverwijdering en recyclage..... | 57 |
| 16. | Verhelpen van storingen | 57 |
| 17. | Garantiebewijs..... | 58 |
| 18. | Conformiteitsverklaring | 131 |

1. Verklaring van de symbolen op het toestel



NL BE

Voor de ingebruikneming de gebruiksaanwijzing en veiligheidsinstructies lezen en naleven!



NL BE

Draag een veiligheidsbril



NL BE

Draag een gehoorbeschermer!



NL BE

Draag een stofmasker!



NL BE

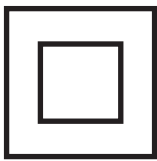
Let op! Lichamelijk gevaar! Niet in het draaiende zaagblad grijpen!



Achtung! - Laserstrahlung
Nicht in den Strahl blicken!
Laser Klasse 2
Laserspezifikation nach EN 60825-1:2014
λ = 650 nm P_e < 1 mW

NL BE

Let op! Laserstraling



NL BE

Beschermingsklasse II (dubbel geïsoleerd)

2. Inleiding

FABRIKANT:

schepach

Fabrikation von Holzbearbeitungsmaschinen GmbH
Günzburger Straße 69
D-89335 Ichenhausen

BESTE KLANT,

Wij wensen u veel plezier en succes bij het werken met uw nieuwe machine.

OPMERKING:

De fabrikant van dit apparaat is conform de geldende wet inzake productaansprakelijkheid niet aansprakelijk voor schade, die aan of door dit apparaat ontstaat bij:

- Ondeskundig gebruik,
- Niet-naleving van de gebruiksaanwijzing,
- Reparaties door derden, door onbevoegde personen,
- Inbouw en vervanging van niet originele reserveonderdelen,
- Niet-reglementair gebruik,
- Het uitvallen van de elektrische installatie bij nietnaleving van de elektrische voorschriften en VDEbepalingen 0100, DIN 57113 / VDE 0113.

Wij adviseren u het volgende:

Lees voor de montage en ingebruikneming aandachtig de volledige gebruiksaanwijzing.

Dankzij deze gebruiksaanwijzing leert u uw machine en de reglementaire gebruiksmogelijkheden ervan kennen.

U vindt hier belangrijke instructies over hoe u de machine veilig, vakkundig en rendabel gebruikt, over hoe u risico's vermijdt, reparatiekosten voorkomt, de stilstandtijd beperkt en de betrouwbaarheid en levensduur van de machine verhoogt.

Bovenop de veiligheidsvoorschriften van deze gebruiksaanwijzing moet u in elk geval ook de nationale bepalingen inzake het gebruik van deze machine respecteren.

Bewaar de gebruiksaanwijzing in de buurt van de machine in een plastic omhulsel als bescherming tegen vuil en vocht. Elke gebruiker moet deze handleiding voor het begin van de werkzaamheden lezen en zorgvuldig naleven.

Enkel personen, die over het gebruik van de machine en de daarmee verbonden gevaren zijn geïnstrueerd, mogen de machine bedienen. Respecteer de vereiste minimumleeftijd.

Als aanvulling op de veiligheidsvoorschriften in deze handleiding en de speciale voorschriften van uw land, moeten ook de algemeen erkende technische regels voor het gebruik van houtverwerkende apparaten in acht genomen worden.

Wij zijn niet aansprakelijk voor ongevallen of schade die te wijten zijn aan niet-naleving van deze handleiding en van de veiligheidsinstructies.

3. Beschrijving van het toestel (fig. 1-22)

1. Handgreep
 2. AAN/UIT-schakelaar
 3. Blokkeerschakelaar
 4. Machinekop
 5. Zaagbladafdekking beweeglijk
 - 5a. Bevestigingsschroef
 6. Zaagblad
 7. Spaninrichting
 - 7a. Stergreepschroef
 8. Werkstukhouder
 9. Vastzetschroef voor werkstukhouder
 10. Tafelinzetstuk
 11. Handgreep / Borgschroef voor draaitafel
 12. Wijzer
 13. Schaal
 14. Draaitafel
 15. Vaststaande zaagtafel
 16. Aanslagrail
 - 16a. Verschuifbare aanslagrail
 - 16b. Vastzetschroef
 17. Spaanopvangzak
 18. Hoekschaal
 19. Hoekaanduiding
 20. Vastzetschroef voor trekgeleiding
 21. Trekgeleiding
 22. Vastzetschroef
 23. Borgbout
 24. Kartelschroef voor snijdieptebeperking
 - 24a. Kartelmoer zaagdieptebeperking
 25. Aanslag voor snijdieptebeperking
 26. Justerschroef (90°)
 - 26a. Conramoer (90°)
 27. Justerschroef (45°)
 - 27a. Conramoer (45°)
 28. Flensschroef
 29. Buitenflens
 30. Zaagasvergrendeling
 31. Binnenflens
 32. Laser
 - 32a. Deksel laserbehuizing
 - 32b. Kruiskopschroef
 33. AAN/UIT-schakelaar laser
 34. Geleidebeugels
 35. Vergrendelingshendel
 36. Kantelbeveiliging
 37. Lengteaanslag
 38. Stelschroef
- A.) 90° aanslagwinkelhaak (niet bij de omvang van de levering begrepen)
- B.) 45° aanslagwinkelhaak (niet bij de omvang van de levering begrepen)
- C.) Binnenzeskantsleutel, 6 mm
- D.) Binnenzeskantsleutel, 3 mm
- E.) Kruiskopschroef (Laser)

4. Leveringsomvang

- Afkort- en Trek Zaag
- 2 x spaninrichting (7)
- 2 x werkstukhouder (8) (voorgemonteerd)
- Spaanopvangzak (17)
- Binnenzeskantsleutel 6 mm (C)
- Binnenzeskantsleutel 3 mm (D)
- Gebruikshandleiding

5. Doelmatig gebruik

De trek-, afkort- en verstekzaag dient om hout` en kunststof af te korten overeenkomstig de grootte van de machine. De zaag is niet geschikt voor het snijden van brandhout.

Waarschuwing!

Gebruik het apparaat uitsluitend voor het zagen van materialen die in de gebruikshandleiding zijn gespecificeerd.

Waarschuwing!

Het meegeleverde zaagblad is uitsluitend bestemd voor het zagen van hout! De zaag is niet geschikt voor het snijden van brandhout!

De machine mag enkel na diens toestemming worden gebruikt. Elk verdergaand gebruik is niet reglementair. Voor daaruit voortvloeiende schade of letsels, van welke aard dan ook, is de gebruiker/bediener aansprakelijk en niet de fabrikant. Alleen de voor de machine gepaste zaagbladen mogen worden gebruikt. Het gebruik van snijschijven van welke soort dan ook is verboden.

Het naleven van de veiligheidsvoorschriften alsmede van de montage-instructies en aanwijzingen aangaande de werking vermeld in deze handleiding maakt eveneens deel uit van het reglementaire gebruik.

Personen, die de machine bedienen en onderhouden, moeten hiermee vertrouwd en van mogelijke gevaren op de hoogte zijn.

Bovendien moeten de geldende voorschriften ter voorkoming van ongevallen strikt worden opgevolgd.

Andere algemene regels op het gebied van de arbeidsgeneeskunde en veiligheid dienen in acht te worden genomen.

Veranderingen aan de machine sluiten een aansprakelijkheid van de fabrikant en daaruit voortvloeiende schade helemaal uit.

Ondanks een doelmatig gebruik kunnen bepaalde resterende risicofactoren niet volledig uit de weg worden geruimd. Ten gevolge van de constructie en opbouw van de machine kunnen zich de volgende punten voordoen:

- Raken van het zaagblad in het niet afgedekte zaaggebied.
- Grijpen in het draaiende zaagblad (snijwonden).
- Terugstoot van werkstukken en werkstukdelen.
- Zaagbladbreuken.
- Wegslingeren van defecte hardmetalen stukken van het zaagblad.
- Gehoorschade bij niet-gebruik van de nodige gehoorbeschermers.
- Bij gebruik in gesloten vertrekken komt houtstof vrij dat schadelijk is voor de gezondheid.

Houd er rekening mee dat onze toestellen overeenkomstig hun bestemming niet voor commercieel, ambachtelijk of industrieel gebruik ontworpen zijn. Wij zijn niet aansprakelijk als de machine in industriële of ambachtelijke bedrijven of in soortgelijke activiteiten wordt gebruikt.

6. Veiligheidswaarschuwingen

Algemene veiligheidsvoorschriften voor elektrische apparaten

⚠ WAARSCHUWING: Lees alle veiligheidsvoorschriften, aanwijzingen, afbeeldingen en technische gegevens die bij dit elektrisch apparaat zijn meegeleverd. Het niet naleven van de onderstaande aanwijzingen kunnen elektrische schok, brand en/of ernstige verwondingen veroorzaken.

Bewaar alle veiligheidsvoorschriften en -aanwijzingen voor toekomstig gebruik.

Het in de veiligheidsvoorschriften gebruikte begrip "Elektrisch gereedschap" is van toepassing op netgevoed elektrisch gereedschap (met netsnoer) of op accugevoed elektrisch gereedschap (zonder netsnoer).

1. Veiligheid op de werkplek

- **Houd uw werkomgeving schoon en goed verlicht.** Rommel of slecht verlichte werkplaatsen kunnen leiden tot ongevallen.
- **Werk met het elektrisch gereedschap niet in een explosiegevaarlijke omgeving, waarin zich brandbare vloeistoffen, gas of stof bevinden.** Door elektrisch gereedschap ontstane vonken, die het stof of de dampen kunnen ontsteken.
- **Houd kinderen en andere personen tijdens het gebruik uit de buurt van het elektrische gereedschap.** Bij afbuiging kunt u de controle over het elektrische apparaat verliezen.

2. Elektrische veiligheid

- **De aansluitstekker van het elektrische gereedschap moet in het stopcontact passen. De stekker mag op geen enkele wijze worden gewijzigd. Gebruik geen adapterstekker samen met geaard elektrisch gereedschap.** Ongewijzigde stekkers en passende stopcontacten verminderen het risico op elektrische schok.
- **Let op dat uw lichaam geen contact maakt met geaarde onderdelen zoals bijv. buizen, radiatoren, elektrische haarden, koelkasten.** Er bestaat een verhoogd risico op een elektrische schok als uw lichaam geaard is.
- **Houd elektrisch gereedschap uit de buurt van regen of vocht.** Het indringen van water in een elektrisch apparaat vergroot het risico op een elektrische schok.

- **Gebruik het snoer niet om het elektrische gereedschap te dragen, aan op te hangen of om de stekker uit het stopcontact te trekken.** Houd het snoer uit de buurt van hitte, scherpe randen of bewegende delen. Beschadigde of opgewikkelde snoeren verhogen het risico op een elektrische schok.
- **Als u met een elektrisch gereedschap in de open lucht werkt, gebruik dan alleen een verlengsnoer dat ook geschikt is voor gebruik buitenshuis.** De toepassing van een voor buitenshuis gebruik geschikt verlengsnoer vermindert het risico op een elektrische schok.
- **Als het gebruik van het elektrische gereedschap in een vochtige omgeving niet kan worden vermeden, gebruik dan een aardlekschakelaar.** Het gebruik van een aardlekschakelaar voorkomt het risico op een elektrische schok..

3. Veiligheid van personen

- **Wees altijd voorzichtig, let op waar u mee bezig bent en ga verstandig te werk bij werkzaamheden met elektrisch gereedschap. Maak geen gebruik van elektrisch gereedschap als u moe bent of onder invloed bent van drugs, alcohol of medicamenten.** Een moment van onachtzaamheid bij gebruik van het elektrische gereedschap kan leiden tot ernstig letsel.
 - **Draag persoonlijke beschermingsmiddelen en ook altijd een veiligheidsbril.** Het dragen van persoonlijke beschermingsmiddelen zoals een stofmasker, antislip-veiligheidsschoenen, een veiligheidshelm of gehoorbescherming, al naar gelang het soort gereedschap en de toepassing ervan, verkleint het risico op verwondingen.
 - **Vermijd ingebruikname zonder toezicht. Controleer of het elektrisch gereedschap is uitgeschakeld voordat u het op de stroomvoorziening en/of de accu aansluit, het gereedschap oppakt of draagt.** Als u tijdens het dragen van het elektrische gereedschap uw vinger op de schakelaar hebt of het reeds ingeschakelde elektrische apparaat op de stroomvoorziening aansluit, kan dit tot letsel en ongevallen leiden.
 - **Verwijder instelgereedschap of de moersleutel, voordat u het elektrische gereedschap in-schakelt.** Een gereedschap of sleutel dat/die zich in een draaiend onderdeel van het elektrische gereedschap bevindt, kan verwondingen veroorzaken.
 - **Voorkom een onnatuurlijke lichaamshouding. Zorg voor een stabiele positie en zorg ervoor dat u altijd stabiel staat.** Daardoor kunt u het elektrische gereedschap in onverwachte situaties beter onder controle houden.
 - **Draag geschikte kleding. Draag geen wijde kleding of sieraden. Houd haren en kleding uit de buurt van bewegende delen.** Loszittende kleding, sieraden of lange haren kunnen worden vastgegrepen door bewegende delen.
 - **Als stofafzuig- en -opvanginrichtingen kunnen worden gemonteerd, moeten deze worden aangesloten en juist worden toegepast.** Het gebruik van een stofafzuiging kan gevaar door stof verminderen.
- **Voorkom een vals gevoel van zekerheid en houd u altijd aan de veiligheidsvoorschriften voor elektrische apparaten, ook als u ervaren bent met het elektrisch apparaat.** Achtteloos handelen kan in een fractie van een seconde tot ernstige verwondingen leiden.

4. Gebruik en behandeling van het elektrisch gereedschap

- **Zorg dat het elektrische gereedschap niet overbelast raakt. Gebruik voor de werkzaamheden het daarvoor bedoelde elektrische gereedschap.** Met het juiste elektrische gereedschap werkt u beter en veiliger in het aangegeven vermogensbereik.
- **Gebruik geen elektrisch gereedschap waarvan de schakelaar defect is.** Een elektrisch gereedschap, dat niet meer in- of uitgeschakeld kan worden, is gevaarlijk en moet gerepareerd worden.
- **Trek de stekker uit het stopcontact en/of verwijder de uitneembare accu voordat u de apparaatinstellingen wijzigt, inzetstukken vervangt of het elektrische apparaat weglegt.** Deze voorzorgsmaatregel voorkomt dat het elektrische gereedschap per ongeluk wordt gestart.
- **Bewaar niet-gebruikte elektrische apparaten buiten bereik van kinderen. Laat het elektrisch apparaat niet gebruiken door personen die er niet mee vertrouwd zijn of deze aanwijzingen niet hebben gelezen.** Elektrische gereedschappen zijn gevaarlijk als deze door onervaren personen worden gebruikt.
- **Voer zorgvuldig onderhoud uit aan elektrische apparaten en inzetstukken. Controleer of bewegende delen probleemloos functioneren en niet klemmen, of onderdelen gebroken of beschadigd zijn, waardoor de functie van het elektrische gereedschap wordt beïnvloed. Laat beschadigde onderdelen voor gebruik van het elektrische apparaat eerst repareren.** Veel ongevallen ontstaan door slecht onderhouden elektrisch gereedschap.
- **Houd snijgereedschap scherp en schoon.** Zorgvuldig onderhouden snijgereedschap met scherpe snijranden komt minder snel vast te zitten en is makkelijker te gebruiken.
- **Gebruik elektrische apparaten, accessoires en inzetstukken, etc. overeenkomstig deze aanwijzingen. Houd daarbij rekening met de omstandigheden waarin gewerkt wordt en de uit te voeren werkzaamheden.** Het gebruik van elektrisch gereedschap voor andere toepassingen dan het voorgeschreven gebruik kan leiden tot gevaarlijke situaties.
- **Houd grepen en greepoppervlakken droog, schoon en vrij van olie en vet.** Als grepen en greepoppervlakken glad zijn, kan het elektrisch gereedschap in onvoorziene situaties niet veilig bediend en onder controle gehouden worden.

5. Service

- **Laat uw elektrisch gereedschap uitsluitend door gekwalificeerd deskundig personeel repareren met uitsluitend originele reserveonderdelen.** Hiermee wordt de veiligheid van het elektrische gereedschap gewaarborgd.

Veiligheidsvoorschriften voor afkort- en verstekzagen

- Afkort- en verstekzagen zijn bedoeld voor het zagen van hout en houtachtige materialen. Ze zijn niet geschikt voor het zagen van ijzerhoudende materialen, zoals staven, stangen, bouten enz.** Bewegende delen zoals de onderste beschermkap kunnen blokkeren door de schurende werking van het stof. Zaagvonken veroorzaken verbranding van de onderste beschermkap, de inlegplaat en andere kunststof onderdelen
 - Zet het werkstuk indien mogelijk vast met klemmen. Als u het werkstuk met de hand vasthoudt, moet u uw hand altijd minimaal 100 mm verwijderd houden van elke zijde van het zaagblad. Zaag met deze zaag geen werkstukken die te klein zijn om vast te klemmen of met uw hand vast te houden.** Als uw hand te dicht bij het zaagblad is, bestaat er een verhoogd risico op letsel door contact met het zaagblad.
 - Het werkstuk mag niet kunnen worden bewogen en moet worden vastgeklemd of tegen de aanslag en de tafel worden aangedrukt. Duw het werkstuk niet in het zaagblad en zaag het nooit uit de vrije hand.** Losse en bewegende werkstukken kunnen met hoge snelheid worden weggeslingerd en letsel veroorzaken.
 - Beweeg de zaag door het werkstuk. Voorkom dat u de zaag door het werkstuk trekt. Om een zaagsnede te maken, moet u eerst de zaagkop omhoog bewegen en zonder te zagen over het werkstuk trekken. Schakel vervolgens de motor in, zwenk de zaagkop naar beneden en duw de zaag door het werkstuk.** Bij een trekkende zaagbeweging bestaat het risico dat het zaagblad bij het werkstuk omhoog komt en de gebruiker hard door de zaagbladeenheid wordt geraakt.
 - Kom nooit met uw hand voorbij de beoogde zaaglijn, noch voor noch achter het zaagblad.** Het is erg gevaarlijk om het werkstuk met gekruiste handen te ondersteunen door het werkstuk met uw linkerhand rechts van het zaagblad vast te houden, of omgekeerd.
 - Kom niet met uw hand achter de aanslag als het zaagblad draait. Overschrijd nooit de veiligheidsafstand van 100 mm tussen uw hand en het draaiende zaagblad (dit geldt voor beide zijden van het zaagblad, bijv. om houtresten te verwijderen).** U hebt wellicht niet in de gaten dat uw hand zich dicht bij het draaiende zaagblad bevindt, wat ernstig letsel tot gevolg kan hebben.
- Controleer het werkstuk vóór het zagen. Als het werkstuk gebogen of kromgetrokken is, moet u het met de naar buiten gekromde zijde op de aanslag vastklemmen. Zorg er altijd voor dat er langs de zaaglijn geen spleet is tussen het werkstuk, de aanslag en de tafel.** Gebogen of kromgetrokken werkstukken kunnen verdraaien of verschuiven, waardoor het draaiende zaagblad tijdens het zagen kan vastlopen. In het werkstuk mogen geen spijkers of andere vreemde objecten zitten.
 - Gebruik de zaag pas als er geen gereedschappen, houtresten en dergelijke meer op de tafel liggen; alleen het werkstuk mag op de tafel liggen.** Klein afvalresten, losse stukken hout en andere voorwerpen die met het draaiende zaagblad in contact komen, kunnen met hoge snelheid worden weggeslingerd.
 - Zaag altijd maar één werkstuk tegelijk.** Als er meerdere op elkaar gestapelde werkstukken worden gezaagd, kunnen ze niet goed vastgeklemd of vastgehouden worden, waardoor het zaagblad kan vastlopen of de werkstukken kunnen wegglijden.
 - Zorg ervoor dat de afkort- en verstekzaag vóór gebruik op een vlak en stevig werkoppervlak staat.** Een vlak en stevig werkoppervlak verkleint het risico op instabiliteit van de afkort- en verstekzaag.
 - Plan uw werkzaamheden. Let er bij het instellen van de zaagbladhelling of verstekhoek op dat de verstelbare aanslag correct is afgesteld en dat het werkstuk wordt ondersteund, zonder in contact te komen met het zaagblad of de beschermkap.** Simuleer, zonder werkstuk op de tafel en zonder de machine in te schakelen, een volledige zaagbeweging met het zaagblad om te controleren of er geen belemmeringen zijn en er geen gevaar is dat in de aanslag wordt gezaagd.
 - Bij werkstukken die breder of langer zijn dan het tafelblad, moet u voor voldoende ondersteuning zorgen, bijvoorbeeld met tafelverlengingen of zaagbokken.** Werkstukken die langer of breder zijn dan de tafel van de afkort- en verstekzaag, kunnen omkantelen als ze niet stevig worden ondersteund. Als een afgezaagd stuk hout of het werkstuk omkantelt, kan het de onderste beschermkap optillen of ongecontroleerd door het draaiende zaagblad worden weggeslingerd.
 - Zet geen andere personen in als vervanging van een tafelverlenging of extra ondersteuning.** Bij een instabiele ondersteuning van het werkstuk kan het zaagblad vastlopen. Ook kan het werkstuk dan tijdens de zaagbeweging verschuiven, waardoor u of uw assistent in het draaiende zaagblad wordt getrokken.
 - Het afgezaagde deel mag niet tegen het draaiende zaagblad worden gedrukt.** Als er weinig ruimte is, bijvoorbeeld bij gebruik van lengteaanslagen, kan het afgezaagde deel in het zaagblad vastklemmen en met geweld worden weggeslingerd.
 - Gebruik altijd een klem of een geschikte voorziening om ronde voorwerpen zoals staven of buizen naar behoren te ondersteunen.** Staven hebben de neiging om weg te rollen tijdens het zagen, waardoor het zaagblad zich vastgrijpt en het werkstuk met uw hand in het zaagblad kan worden getrokken.

- p) **Laat het zaagblad op volle snelheid komen voordat u het in het werkstuk zaagt.** Dit verkleint het risico dat het werkstuk wordt weggeslingerd.
- q) **Als het werkstuk wordt vastgeklemd of het zaagblad vastloopt, moet u de afkort- en verstekzaag uitschakelen. Wacht tot alle bewegende delen tot stilstand zijn gekomen, trek de stekker uit het stopcontact en/of verwijder de accu. Verwijder vervolgens het vastgeklemd materiaal.** Als u bij een dergelijk blokkering doorgaat met zagen, kunt u de controle verliezen of kan de afkort- en verstekzaag beschadigd raken.
- r) **Als de zaagsnede is voltooid, laat u de schakelaar los, houdt u de zaagkop omlaag en wacht u tot het zaagblad is gestopt voordat u het afgezaagde deel verwijdert.** Het is erg gevaarlijk om met uw hand in de buurt van het uitlopende zaagblad te komen.
- s) **Houd de handgreep stevig vast als u een onvolledige zaagsnede uitvoert of als u de schakelaar loslaat voordat de zaagkop de onderste positie heeft bereikt.** Door de remwerking van de zaag kan de zaagkop abrupt omlaag worden getrokken, wat tot verwonding kan leiden.

Veiligheidsvoorschriften voor de behandeling van zaagbladen

1. Gebruik geen beschadigde of vervormde zaagbladen.
2. Gebruik geen zaagbladen met barsten of scheuren. Gooi zaagbladen met barsten weg. Reparatie is niet toegestaan.
3. Gebruik geen zaagbladen die van sneldraaistaal zijn vervaardigd.
4. Controleer de staat van de zaagbladen voordat u de afkort- en verstekzaag gebruikt.
5. Gebruik uitsluitend zaagbladen die geschikt zijn voor het te zagen materiaal.
6. Gebruik uitsluitend de door de fabrikant aanbevolen zaagbladen.
De zaagbladen moeten, als ze bedoeld zijn om hout of dergelijk materiaal te bewerken, voldoen aan EN 847-1.
7. Gebruik geen zaagbladen van hooggelegeerd sneldraaistaal (HSS).
8. Gebruik alleen zaagbladen waarvan het maximaal toegestane toerental niet lager is dan het maximale spiltorental van de zaag, en die bovendien geschikt zijn voor het te bewerken materiaal.
9. Let op de draairichting van het zaagblad.
10. Gebruik zaagbladen alleen dan, als u ook weet hoe u ermee om moet gaan.
11. Houd rekening met het maximale toerental. Het maximale toerental dat op het zaagblad staat vermeld, mag niet worden overschreden. Houd u, indien aangegeven, aan het toerentalbereik.
12. De klemoppervlakken moeten van vuil, vet, olie en water worden ontdaan.
13. Gebruik geen losse pasringen of -bussen om de boring van zaagbladen te verkleinen.
14. Zorg ervoor dat de bevestigde pasringen voor de borging van het zaagblad dezelfde diameter hebben en dat ze minimaal 1/3 van de snijdiameter hebben.

15. Zorg, dat bevestigde pasringen evenwijdig staan aan elkaar.
16. Wees voorzichtig bij het hanteren van de zaagbladen. Bewaar ze liefst in de originele verpakking of in speciale houders. Draag veiligheidshandschoenen om de grip te vergroten en de kans op persoonlijk letsel nog verder terug te dringen.
17. Controleer voordat u zaagbladen gebruikt, of de veiligheidsvoorzieningen correct zijn bevestigd.
18. Controleer vóór gebruik of het toegepaste zaagblad aan de technische eisen van deze machine voldoet en of het op de juiste wijze bevestigd is.
19. Gebruik het meegeleverde zaagblad alleen voor het zagen van hout en nooit voor het bewerken van metalen.
20. Gebruik alleen zaagbladen met een diameter die op de zaag staat aangegeven.
21. Gebruik extra werkstuksteunen als dit nodig is voor de stabiliteit van het werkstuk.
22. De verlengstukken van de werkstuksteun moeten tijdens de werkzaamheden altijd bevestigd en gebruikt worden.
23. Vervang een versleten tafelinzetstuk!
24. Voorkom oververhitting van de zaagtanden.
25. Voorkom bij het zagen van kunststof dat de kunststof smelt. Gebruik hiervoor de juiste zaagbladen. Vervang beschadigde of versleten zaagbladen tijdig.
Stop de machine als het zaagblad oververhit raakt. Laat het zaagblad afkoelen voordat u verder werkt met het apparaat.



**Let op: Laserstraling
Niet in de straal kijken
Laserklasse 2**



Bescherm u en uw omgeving tegen gevaar voor ongelukken door de gepaste voorzorgsmaatregelen te nemen!

- Niet met blote ogen rechtstreeks in de laserstraal kijken.
- Nooit rechtstreeks in de stralengang kijken.
- De laserstraal nooit richten op weerskaatsende oppervlakken, personen of dieren. Ook een laserstraal met een gering vermogen kan schade berokkenen aan het oog.
- Voorzichtig – als u anders te werk gaat dan hier beschreven kan dit leiden tot een blootstelling aan gevaarlijke straling.
- Lasermodule nooit openen. Dit kan tot onverwachte blootstelling aan straling leiden.
- De laser mag niet door laser van een ander type worden vervangen.
- Reparaties aan de laser mogen uitsluitend door de fabrikant van de laser of een bevoegde dealer worden uitgevoerd.

Restrisico's

De machine is ontwikkeld volgens de huidige stand van de techniek en de erkende veiligheidsvoorschriften. Toch kan tijdens de werkzaamheden sprake zijn van enkele restrisico's.

- Gevaar voor de gezondheid, veroorzaakt door elektriciteit bij gebruik van onjuiste snoeren.

- Daarnaast kan er, ondanks alle voorzorgsmaatregelen, sprake zijn van niet-zichtbare restrisico's.
- De restrisico's kunnen tot een minimum worden beperkt wanneer aan de "Veiligheidsmaatregelen" en het "Gebruik volgens de voorschriften" wordt voldaan en de gebruikshandleiding in zijn geheel wordt opgevolgd.
- Voorkom onnodige belasting van de machine: als bij het zagen teveel druk wordt uitgeoefend, zal het zaagblad snel beschadigen, wat leidt tot geringere prestaties van de machine bij de verwerking en minder nauwkeurige zaagsnedes.
- Gebruik altijd klemmen wanneer u kunststof moet zagen: de te zagen delen moeten altijd met klemmen worden vastgezet.
- Voorkom dat u de machine onbedoeld inschakelt: als u de stekker in het stopcontact steekt, mag de startknop niet worden ingedrukt.
- Gebruik gereedschap dat in deze handleiding wordt aanbevolen. U verkrijgt dan optimale prestaties met uw afkortzaag.
- Houd uw handen buiten de werkruimte, wanneer de machine in bedrijf is.
- Voordat u instel- of onderhoudswerkzaamheden uitvoert, laat u de startknop los en trekt u de stekker uit het stopcontact.

Waarschuwing!

Dit elektrisch apparaat genereert een elektromagnetisch veld als het is ingeschakeld. Dit veld kan onder bepaalde omstandigheden interfereren met actieve of passieve medische implantaten. Om het risico op ernstig of dodelijk letsel te beperken, raden we personen met medische implantaten aan om hun arts en de fabrikant van het medische implantaat te raadplegen voordat de machine wordt gebruikt.

7. Technische gegevens

| | |
|--|-------------------------------|
| Wisselstroommotor..... | 220 - 240 V~ 50 Hz |
| Vermogen S1 | 1700 Watt |
| Bedrijfsmodus | S6 25%* 2000W |
| Nullasttoerental n_0 | 4800 min ⁻¹ |
| Hardmetaalzaagblad | ∅ 210 x ∅ 30 x 2,6 mm |
| Aantal tanden..... | 24 |
| Maximale tandbreedte van het zaagblad | 3 mm |
| Zwenkbereik | -45° / 0° / +45° |
| Versteksnede..... | 0 ° tot 45 ° naar links |
| Zaagbreedte bij 90° | 340 x 65 mm |
| Zaagbreedte bij 45° | 240 x 65 mm |
| Zaagbreedte bij 2 x 45° (dubbele versteksnede)..... | 240 x 38 mm |
| Bescherming klasse | II / <input type="checkbox"/> |
| Gewicht..... | ca. 12,15 kg |
| Laserklasse..... | 2 |
| Golflengte laser..... | 650 nm |
| Vermogen laser | < 1 mW |

* Bedrijfsmodus S6, ononderbroken periodiek bedrijf. De bedrijfstijd is opgebouwd uit een opstarttijd, een tijd met een constante belasting en een uitlooptijd. De cyclusduur bedraagt 10 minuten en de relatieve inschakelduur bedraagt 25% van de cyclustijd.

Het werkstuk moet minimaal een hoogte van 3 mm en een breedte van 10 mm hebben. Zorg ervoor dat het werkstuk altijd met de kleminrichting is geborgd.

Geluid

Het geluid van deze zaag is bepaald conform EN 62841.

| | |
|---|--------------------|
| Geluidsdruk niveau L_{pA} | 96,5 dB(A) |
| Onzekerheid K_{pA} | 3 dB |
| Geluidsvermogen L_{WA} | 109,5 dB(A) |
| Onzekerheid K_{WA} | 3 dB |

Draag een gehoorbescherming.

Het effect van lawaai kan gehoorverlies zijn.

De opgegeven geluidsemissiewaarden zijn gemeten volgens een standaardtestmethode en kunnen worden gebruikt om elektrische apparaten met elkaar te vergelijken.

De aangegeven geluidsemissiewaarden kunnen ook worden gebruikt als eerste indicatie van de belasting.

Waarschuwing:

- De geluidsemissies kunnen van de opgegeven waarde afwijken wanneer de machine daadwerkelijk wordt gebruikt. Dit is afhankelijk van de wijze waarop het elektrisch apparaat wordt gebruikt en de aard van het werkstuk dat wordt bewerkt.
- Probeer om de belasting zo gering mogelijk te houden. Zo zijn er maatregelen om de werktijd te beperken. Hierbij moeten alle onderdelen van de bedrijfscyclus in aanmerking worden genomen (zoals de tijd dat de machine uitgeschakeld is en de tijd waarin deze ingeschakeld is, maar onbelast draait).

8. Vóór ingebruikneming

- Open de verpakking en haal de machine er voor - zichtig uit.
- Verwijder het verpakkingsmateriaal, evenals de beschermingen bij de verpakking en voor het transport (indien voorhanden).
- Controleer of de leveringsomvang volledig is.
- Controleer de machine en de bijbehorende onderdelen op transportschade.
- Bewaar de verpakking indien mogelijk tot het einde van de garantieperiode.

OPGELET

De machine en het verpakkingsmateriaal zijn geen speelgoed voor kinderen! Kinderen mogen niet met plastic zakken, folie en kleine onderdelen spelen! Gevaar voor inslikken en verstikking!

- De machine moet stabiel staan. Bevestig de machine op een werkbank, een onderstel of iets dergelijks door de 4 bouten (niet bij de levering inbegrepen) in de boringen op de vaste zaagtafel (15) te steken. Haal de schroeven goed aan.
- Maak de voorgeïnstalleerde kantelbeveiliging (36) aan de onderzijde van de zaag los, trek de beveiliging er volledig uit en borg deze weer met de inbussleutel (D).
- Stel de stelschroef (38) af op het niveau van de tafelplaat om te voorkomen dat de machine gaat wiebelen.
- Vóór ingebruikneming dienen alle afdekkingen en veiligheidsinrichtingen naar behoren te zijn gemonteerd.
- Het zaagblad moet vrij kunnen draaien.
- Bij reeds bewerkt hout op vreemde voorwerpen letten zoals b.v. nagels of schroeven etc.

- Voordat u de AAN-/UIT-schakelaar bedient moet het zaagblad correct gemonteerd zijn. Beweeglijke delen moeten gemakkelijk bewegen.
- Vóór het aansluiten controleren of de gegevens vermeld op het kenplaatje overeenstemmen met de gegevens van het stroomnet.

8.1 Veiligheidsvoorziening beweegbare zaagbladbescherming controleren (5)

De zaagbladbescherming biedt bescherming tegen onbedoeld contact met het zaagblad en tegen rondvliegende spanen.

Werking controleren

Klap hiervoor de zaag naar beneden:

- De zaagbladbescherming moet het zaagblad bij het omlaag zwenken vrijgeven zonder andere delen aan te raken.
- Als de zaag naar de uitgangspositie omhoog wordt geklapt, moet de zaagbladbescherming automatisch het zaagblad afdekken.

9. Montage

9.1 Zaag monteren (fig. 1/2/4)

- Om de draaitafel (14) te verstellen, moet u de handgreep (11) ongeveer 2 slagen losdraaien en de vergrendelingshendel (35) met de wijsvinger omhoog trekken.
- Verdraai de draaitafel (14) en aanwijzer (12) naar de gewenste hoek van de schaalverdeling (13) en zet ze vast met de handgreep (11).
- Druk de machinekop (4) iets omlaag. Door gelijktijdig de borgbout (23) uit de motorbeugel te trekken en te draaien, wordt de zaag uit de onderste stand ontgrendeld.
- Borgbouten (23) met 90 graden draaien om deze in de ontgrendelde stand te fixeren.
- Draai de machinekop (4) omhoog.
- De klemrichting (7) kan zowel links als rechts aan de vaste zaagtafel (15) bevestigd worden. Steek de klemrichtingen (7) in de hiervoor bedoelde boorgaten aan de achterkant van de aanslagrail (16) en borg deze met behulp van de schroeven met stergreep (7a). Voor versteksnedes van 0° tot 45° moet de klemrichting (7) slechts aan één kant (rechts) worden gemonteerd (zie afb. 11-12).
- De machinekop (4) kan door de borgschroef (22) los te draaien, naar links tot max. 45° schuin geplaatst worden.
- Werkstukhouder (8) moeten altijd worden vastgezet en gebruikt tijdens het werk. Stel het gewenste tafelformaat in door de stelschroef (9) los te draaien. Draai daarna de stelschroef (9) weer vast.

9.2 Spaanopvangzak (fig. 1/22)

De zaag is voorzien van een opvangzak (17) voor spanen.

Knijp de uiteinden van de metalen klem van de spaanopvangzak (17) samen en breng de zak aan op de uitlaatopening bij de motor.

De spaanzak (17) kan via de ritssluiting aan de onderkant worden leeggemaakt.

9.2.1 Externe stofafvoerinrichting

- Sluit de zuigslang op de stofafzuiging aan.
- Het afzuigstelsysteem moet geschikt zijn voor het te bewerken materiaal.

- Gebruik voor het afzuigen van bijzonder schadelijke of kankerwekkende stofsoorten een speciale afzuigrichting.

9.3 Fijne instelling van de aanslag voor kapsnede 90° (fig. 1/2/5/6)

Benodigd gereedschap:

- Inbussleutel 6 mm
- Steeksleutel SW13 (niet bij de levering inbegrepen)

• De aanslagwinkelhaak is niet bij de levering begrepen.

- De machinekop (4) naar beneden laten zakken en met de borgpen (23) vastzetten.
- De borgschroef (22) losdraaien.
- De aanslaghoek (A) tussen zaagblad (6) en draaitafel (14) plaatsen.
- Draai de contraoer (26a) los.
- De stelschroef (26) zover verstellen, tot de hoek tussen zaagblad (6) en draaitafel (14) 90° bedraagt.
- Haal de contraoer (26a) weer aan.
- Controleer ten slotte de positie van de hoekweergave. Indien nodig, de naald (19) met een kruiskopschroevendraaier losdraaien, op de 0°-positie van de hoekschaal (18) zetten en de borgschroef weer vastdraaien.

9.4 Nauwkeurig instellen van de aanslag voor versteksnode 45° (fig. 1/2/5/9/10)

Benodigd gereedschap:

- Inbussleutel 6 mm
- Steeksleutel SW13 (niet bij de levering inbegrepen)

• De aanslagwinkelhaak is niet bij de levering begrepen.

- De machinekop (4) naar beneden laten zakken en met de borgpen (23) vastzetten.
- De draaitafel (14) op de 0°-stand fixeren.
Let op! De verschuifbare aanslagscheen (16a) moet voor versteksnedes (schuin staande zaagkop) in de buitenste positie gefixeerd worden. (**Linkerzijde**).
- Open de borgschroef (16b) van de verschuifbare aanslagrail (16a) en schuif de verschuifbare aanslagrail (16a) naar buiten.
- De verschuifbare aanslagrails (16a) moeten zo worden vergrendeld, dat de afstand tussen de aanslagrails (16a) en het zaagblad (6) tenminste 8 mm bedraagt.
- De verschuifbare aanslagscheen (16a) moet zich in de binnenste positie bevinden. (**Rechterzijde**).
- Controleer voor het zagen dat tussen de aanslagrail (16a) en het zaagblad (6) geen botsing mogelijk is.
- De borgschroef (22) losdraaien en met de handgreep (1) de machinekop (4) naar links, schuin plaatsen op 45°.
- De 45°-aanslaghoek (B) tussen zaagblad (6) en draaitafel (14) plaatsen.
- Draai de contraoer (27a) los en verstel de stelschroef (27) tot de hoek tussen zaagblad (6) en draaitafel (14) precies 45° bedraagt.
- Haal de contraoer (27a) weer aan.
- Controleer ten slotte de positie van de hoekweergave. Indien nodig, de naald (19) met een kruiskopschroevendraaier losdraaien, op de 45°-positie van de hoekschaal (18) zetten en de borgschroef weer vastdraaien.

10. Bediening

10.1 Bedrijf laser (fig. 18)

- **Inschakelen:** Druk 1x op de aan/uit-schakelaar laser (33). Op het te bewerken werkstuk wordt een laserlijn geprojecteerd die precies de plaats van de zaagsnede aangeeft.
- **Uitschakelen:** Druk nogmaals op de aan/uit-schakelaar laser (33).

10.2 Snijdieptebe grenzing (groef zagen) (fig. 3/13)

⚠ WAARSCHUWING

Gevaar voor terugslag! Bij het aanbrengen van groeven is het zeer belangrijk dat er geen zijdelingse druk op het zaagblad wordt uitgeoefend. De zaagkop kan anders plotseling omhoog slaan! Gebruik bij het aanbrengen van groeven een klem-inrichting. Vermijd zijdelingse druk op de zaagkop.

- Met de schroef (24) kan de snijdiepte traploos worden afgesteld. Te dien einde kartelmoer (24a) op de schroef losdraaien. De gewenste snijdiepte instellen door de schroef (24) in of uit te draaien. Daarna de kartelmoer (24a) op de schroef (24) opnieuw aanhalen.
- Controleer de afstelling aan de hand van een proefsnede.

10.3 Seriële snede

Voor terugkerende snedes met dezelfde lengte kan de lengteaanslag (37) worden opengeklapt. U kunt de lengteaanslag (37) zowel aan de rechter- maar ook aan de linkerzijde gebruiken.

- Klap de lengteaanslag (37) omhoog.
- Draai de vastzetschroef voor de werkstuksteun (9) los.
- Trek de werkstuksteun (8) er uit.
- Stel de gewenste afstand tussen het zaagblad en de lengteaanslag (37) in.
- Draai de vastzetschroef voor de werkstuksteun (9) weer vast.
- Voer de snedes uit zoals onder 10.4 t/m 10.7 uit.

10.4 Kapsnede 90° en draaitafel 0° (fig. 1/2/7)

Bij zaagsnedes tot ca. 100 mm kan de trekfunctie van de zaag met de borgschroef (20) in de achterste positie gefixeerd worden. In deze positie kan de machine voor afkorten worden gebruikt. Mocht de zaagsnede boven 100 mm liggen, dan moet erop gelet worden, dat de borgschroef (20) los en de machinekop (4) beweegbaar is.

Let op!

De verschuifbare aanslagrails (16a) moeten voor afkortbewerkingen van 90° op de binnenste positie worden vastgezet.

- Open de vastzetschroeven (16b) van de verschuifbare aanslagrails (16a) en schuif de verschuifbare aanslagrails (16a) naar binnen.
- De verschuifbare aanslagrails (16a) moeten zo worden vergrendeld, dat de afstand tussen de aanslagrails (16a) en het zaagblad (6) maximaal 8 mm bedraagt.
- Controleer vóór de zaagsnede of de aanslagrails (16a) en het zaagblad (6) niet met elkaar in botsing kunnen komen.
- Draai de vastzetschroeven (16b) weer vast.
- Machinekop (4) naar de bovenste stand brengen.

- Machinekop (4) aan de handgreep (1) naar achteren schuiven en, indien nodig, in deze stand fixeren (naargelang de snijbreedte).
- Het te snijden hout tegen de aanslagrail (16) en op de draaitafel (14) leggen.
- Het materiaal op de vaststaande zaagtafel (15) vastzetten m.b.v. de spaninrichting (7) zodat het tijdens het zagen niet kan verschuiven.
- Ontgrendel de blokkeerschakelaar (3) en druk op de aan/uit-schakelaar (2) om de motor in te schakelen.
- **Bij gefixeerde trekgeleiding (21):** met de handgreep (1) de machinekop (4) gelijkmatig en met lichte druk omlaag bewegen tot het zaagblad (6) het werkstuk heeft doorsneden.
- **Bij niet gefixeerde trekgeleiding (21):** Machinekop (4) helemaal naar voren trekken. Handgreep (1) gelijkmatig en met lichte druk helemaal naar beneden duwen. Dan de machinekop (4) traag en gelijkmatig helemaal naar achteren schuiven tot het zaagblad (6) het werkstuk volledig heeft doorsneden.
- Na het zagen de machinekop terug naar zijn bovenste ruststand brengen en AAN / UIT-schakelaar (2) loslaten.
Let op! Door de terughaalveer slaat de machine vanzelf omhoog, daarom de handgreep (1) aan het einde van de zaagsnede niet loslaten, maar de machinekop langzaam en onder lichte tegendruk omhoog bewegen.

10.5 Afkortsnede 90° en draaitafel 0° - 45° (fig. 1/7/8)

Met de afkortzaag kunnen afkortsnedes van 0° tot 45° naar links en van 0° tot 45° naar rechts ten opzichte van de aanslagrail worden uitgevoerd.

Let op!

De verschuifbare aanslagrail (16a) moet voor 90° afkortsnede in de binnenste positie worden gefixeerd.

- Open de vastzetschroef (16b) van de verschuifbare aanslagrail (16a) en schuif de verschuifbare aanslagrail (16a) naar binnen.
- De verschuifbare aanslagrails (16a) moeten zo worden vergrendeld, dat de afstand tussen de aanslagrails (16a) en het zaagblad (6) tenminste 8 mm bedraagt.
- Controleer voor het zagen dat tussen de aanslagrails (16a) en het zaagblad (6) geen botsing mogelijk is.
- Vastzetschroef (16b) terug aanhalen.
- Draai de handgreep (11) los, indien deze is vastgedraaid. Trek de vergrendelingshendel (35) met de wijsvinger omhoog. Zet de draaitafel (14) in de gewenste hoek met behulp van de handgreep (11).
- De naald (12) op de draaitafel moet met de gewenste hoek van de schaal (13) op de vaststaande zaagtafel (15) overeenkomen.
- Trek de handgreep (11) vast om de draaitafel (14) te vergrendelen.
- De bewerking uitvoeren als onder punt 10.4 beschreven.

10.6 Versteksnede 0° - 45° en draaitafel 0° (fig. 1/2/11)

Met de afkortzaag kunnen versteksnedes naar links van 0° tot 45° ten opzichte van het werkvlak worden uitgevoerd.

Let op!

De verschuifbare aanslagscheen (16a) moet voor versteksnedes (schuin staande zaagkop) in de buitenste positie gefixeerd worden. **(Linkerzijde).**

- Open de borgschroef (16b) van de verschuifbare aanslagrail (16a) en schuif de verschuifbare aanslagrail (16a) naar buiten.
- De verschuifbare aanslagrails (16a) moeten zo worden vergrendeld, dat de afstand tussen de aanslagrails (16a) en het zaagblad (6) tenminste 8 mm bedraagt.
- De verschuifbare aanslagscheen (16a) moet zich in de binnenste positie bevinden. **(Rechterzijde)**.
- Controleer voor het zagen dat tussen de aanslagrail (16a) en het zaagblad (6) geen botsing mogelijk is.
- Fastzetschroef (16b) terug aanhalen.
- De machinekop (4) in de bovenste stand brengen.
- De draaitafel (14) op de 0°-stand fixeren.
- De borgschroef (22) losdraaien. Met de handgreep (1) de machinekop (4) naar links, schuin plaatsen, tot de naald (19) naar de gewenste hoek van de schaal (18) wijst.
- De borgschroef (22) weer vastdraaien.
- De bewerking uitvoeren als onder punt 10.4 beschreven.

10.7 Versteksnede 0°- 45° en draaitafel 0°- 45° (fig. 1/2/4/12)

Met de afkortaag kunnen versteksneden naar links van 0° tot 45° ten opzichte van het werkvlak en meteen van 0° tot 45° naar links of van 0° tot 45° naar rechts ten opzichte van de aanslagrail worden uitgevoerd (dubbele versteksnede).

Let op!

De verschuifbare aanslagscheen (16a) moet voor versteksneden (schuin staande zaagkop) in de buitenste positie gefixeerd worden. **(Linkerzijde)**.

- Open de borgschroef (16b) van de verschuifbare aanslagrail (16a) en schuif de verschuifbare aanslagrail (16a) naar buiten.
- De verschuifbare aanslagrails (16a) moeten zo worden vergrendeld, dat de afstand tussen de aanslagrails (16a) en het zaagblad (6) tenminste 8 mm bedraagt.
- Controleer voor het zagen dat tussen de aanslagrails (16a) en het zaagblad (6) geen botsing mogelijk is.
- Vastzetschroef (16b) terug aanhalen.
- De machinekop (4) omhoogzwenken.
- Maak de draaitafel (14) los door de handgreep (11) lossere te draaien.
- Met de handgreep (11) de draaitafel (14) op de gewenste hoek instellen (zie daartoe ook punt 10.5).
- Draai de handgreep (11) weer vast aan, om de draaitafel te fixeren.
- De borgschroef (22) losdraaien.
- Met de handgreep (1) de machinekop (4) naar links buiten en op de gewenste hoek van de schaal instellen (zie daartoe ook punt 10.6).
- De borgschroef (22) weer vastdraaien.
- De bewerking uitvoeren als onder punt 10.4 beschreven.

11. Onderhoud

⚠ Let op! Telkens voor het instellen, het uitvoeren van onderhoud of reparaties de stekker uit het stopcontact trekken!

11.1 Algemene onderhoudswerkzaamheden

Veeg van tijd tot tijd met een doek houtkrullen en stof van de machine af. Olie om de levensduur van het apparaat te verlengen eenmaal per maand de draaiende delen. De motor niet oliën. Gebruik voor de reiniging van de kunststof geen bijtende middelen.

11.2 Veiligheidsvoorziening beweegbare zaagbladbescherming (5) reinigen

Controleer voor ingebruikname altijd de zaagbladbescherming op vervuiling.

Verwijder oud zaagsel en oude houtsplinters met behulp van een borstel of een vergelijkbaar geschikt gereedschap.

11.3 Tafelinzetstuk vervangen

Gevaar!

Als het tafelinzetstuk (10) beschadigd is, bestaat het risico dat kleine voorwerpen tussen het tafelinzetstuk en het zaagblad vast komen te zitten en het zaagblad blokkeren. **Vervang beschadigde tafelinzetstukken onmiddellijk!**

1. Draai de schroeven op het tafelinzetstuk los. Verdraai zo nodig de draaitafel en kantel de zaagkop om bij de schroeven te kunnen komen.
2. Verwijder het tafelinzetstuk.
3. Plaats een nieuw tafelinzetstuk.
4. Draai de schroeven op het tafelinzetstuk vast.

11.4 Borstelinspectie

Controleer de borstels van de koolborstels bij een nieuwe machine na de eerste 50 bedrijfsuren, of wanneer er nieuwe borstels gemonteerd zijn. Controleer na de eerste controle om de 10 bedrijfsuren.

Wanneer de koolstof tot een lengte van 6 mm versleten is, de veer of de nevensluitingsdraad verbrand of beschadigd is, moet u beide borstels vervangen. Wanneer de borstels na het demonteren als inzetbaar beschouwd worden, kunt u ze weer inbouwen.

Open beide vergrendelingen linksom (zoals in afbeelding 21 weergegeven) om onderhoud aan de koolborstels te verrichten. Verwijder vervolgens de koolborstels.

Plaats de koolborstels in omgekeerde volgorde terug.

11.5 Verwisselen van zaagblad (fig. 1/2/14-17) Netstekker uit het stopcontact trekken!

Let op!

Draag voor het verwisselen van het zaagblad veiligheidshandschoenen! Lichamelijk gevaar!

- De machinekop (4) omhoogzwenken. Door de borgbout (23) in deze stand vastzetten.
- Draai de bevestigingsschroef (5a) van het deksel los met behulp van een kruiskopschroevendraaier.

WAARSCHUWING!

Draai deze schroef er niet helemaal uit.

- Klap de zaagbladbescherming (5) zover omhoog dat de zaagbladbescherming (5) zich boven de flensbout (28) bevindt.
- Zet met de ene hand de binnenzeskant- of inbussleutel (C) op de flensbout (28).

- Inbussleutel (C) vasthouden en de zaagbladsteun (5) langzaam sluiten, tot deze tegen de inbussleutel (C) aan staat.
- Zaagasvergrendeling (30) hard indrukken en flensschroef (28) langzaam met de wijzers van de klok mee draaien. Na maximaal een hele slag klikt de zaagasvergrendeling (30) vast.
- Draai dan met wat meer kracht de flensschroef (28) met de wijzers van de klok mee los.
- Flensschroef (28) er helemaal uit draaien en buitenflens (29) wegnemen.
- Neem het zaagblad (6) van de binnenflens (31) af en trek het naar beneden eruit.
- Flensschroef (28), buitenflens (29) en binnenflens (31) zorgvuldig schoonmaken.
- Het nieuwe zaagblad (6) in omgekeerde volgorde monteren en aanhalen.
- Klap de zaagbladbescherming (5) zover omlaag tot de zaagbladbescherming (5) in de bevestigingsschroef (5a) hangt.
- Draai de bevestigingsschroef (5a) weer vast.

• **Let op!**

De afschuiving van de tanden, d.w.z. de draairichting van het zaagblad (6), moet overeenkomen met de richting van de pijl op het huis.

- Voordat u verder werkt controleren of de beschermende richtingen naar behoren werken.

• **Let op!**

Telkens na het verwisselen van zaagblad controleren of het zaagblad (6) al loodrecht staande alsook op 45° gekanteld in het tafelinzetstuk (10) vrij draait.

• **Let op!**

Het verwisselen en richten van het zaagblad (6) dient naar behoren te worden uitgevoerd.

11.6 Justeren van de laser (fig. 19-20)

Als de laser (32) niet meer de juiste zaaglijn aangeeft, kan deze worden bijgesteld. Verwijder hiertoe de schroeven (32b) en verwijder het voorste deksel (32a). Draai de kruiskopschroeven (E) los. Stel de laser in door deze zijwaarts te verschuiven zodat de laserstraal de snijtanden van het zaagblad (6) raakt. Wanneer de laser is afgesteld en vastgezet, monteert u het voorste deksel door de twee schroeven (32b) handvast aan te draaien. De machine moet voor het afstellen van de laser op het stroomnet zijn aangesloten.

Let op!

Bedien bij het afstellen van de laser in geen geval de AAN/UIT-schakelaar (2). Gevaar voor letsel!

11.7 Service-informatie

U moet er rekening mee houden dat bij dit product de volgende delen onderhevig zijn aan een slijtage door gebruik of een natuurlijke slijtage, resp. dat de volgende delen nodig zijn als verbruiksmaterialen.

Slijtstukken*: koolborstels, zaagblad, tafelinzetstuk (Art. nr. 5901215010), spaanopvangzak

* niet verplicht bij de leveringsomvang begrepen!

12. Vervoer

- Vastzetgreep (11) aanhalen om de draaitafel (14) te vergrendelen.

- Machinekop (4) omlaagdrukken en arreteren d.m.v. de borgbout (23). De zaag is dan in de onderste stand vergrendeld.
- Trekfunctie van de zaag in de achterste stand fixeren d.m.v. de vastzetschroef voor trekgeleiding (20).
- Machine aan de vaststaande zaagtafel (15) dragen.
- Om de machine opnieuw op te bouwen gaat u te werk zoals beschreven onder 8 en 9.

13. Opbergen

Sla het apparaat en de hulpstukken op een donkere, droge en vorstvrije plaats en voor kinderen ontoegankelijke plaats op. De optimale opslagtemperatuur ligt tussen 5 en 30°C. Bewaar het elektrisch apparaat in de originele verpakking.

Dek het elektrisch apparaat af om het tegen stof of vocht te beschermen.

Bewaar de gebruikshandleiding bij het elektrische apparaat.

14. Elektrische aansluiting

De geïnstalleerde elektromotor is bedrijfsklaar aangesloten. De aansluiting voldoet aan de relevante VDE- en DIN-voorschriften. De netaansluiting van de klant en het gebruikte verlengsnoer moeten eveneens aan deze voorschriften voldoen.

- Het product voldoet aan de eisen van EN 61000-3-11 en valt onder speciale aansluitingsvoorwaarden. Dat betekent, dat gebruik op een willekeurig vrij te kiezen aansluitpunt niet toegestaan is.
- Het apparaat kan bij ongunstige elektriciteitsnet-omstandigheden tijdelijke spanningsschommelingen opleveren.
- Het product is uitsluitend voorzien voor het gebruik op aansluitpunten, waarvoor de volgende voorwaarden gelden:
 - a) een maximale toegestane netwerkimpedantie "Z" ($Z_{max} = 0,339 \Omega$) mag niet worden overschreden.
 - b) een duurstroombelastbaarheid van het netwerk van ten minste 100 A per fase moet beschikbaar zijn.
- Als gebruiker moet u garanderen dat het aansluitpunt, waarop u het product gebruikt, aan een van beide genoemde eisen a) of b) voldoet. Neem, indien nodig, contact op met uw nutsbedrijf bij enige vragen.

Belangrijke aanwijzingen

Bij overbelasting van de motor schakelt deze vanzelf uit. Na een afkoeltijd (deze tijd is verschillend) kan de motor weer worden ingeschakeld.

Defecte elektrische aansluitkabel

Bij elektrische aansluitkabels treedt vaak schade aan de isolatie op.

Mogelijke oorzaken zijn:

- Versleten plekken, als aansluitkabels door venster- of deuropeningen worden geleid.
- Knikken door een onvakkundige bevestiging of geleiding van de aansluitkabel.
- Snijplekken omdat over de aansluitkabel is gereden.
- Beschadigde isolatie omdat de stekker uit het stopcontact is getrokken.
- Scheuren door veroudering van de isolatie.

Dergelijke defecte elektrische aansluitkabels mogen niet worden gebruikt en zijn levensgevaarlijk als de isolatie is beschadigd. Controleer de elektrische aansluitkabels regelmatig op schade. Let erop dat bij het controleren de aansluitkabel niet op het elektriciteitsnet is aangesloten.

Elektrische aansluitkabels moeten aan de relevante VDE- en DIN-voorschriften voldoen. Gebruik uitsluitend snoeren met dezelfde aanduiding.

Op de aansluitkabel moet de type-aanduiding vermeld staan. Als het netsnoer van dit apparaat beschadigd is, moet dit worden vervangen door een speciaal uitgevoerd netsnoer, dat verkrijgbaar is bij de fabrikant of diens klantenservice.

Wisselstroommotor:

De netspanning moet 220 - 240 VAC 50 Hz zijn.

- Verlengsnoeren moeten tot een lengte van 25 m een doorsnede hebben van 1,5 vierkante millimeter.

Aansluitingen en reparaties van de elektrische uitrusting mogen uitsluitend door een elektromonteur worden uitgevoerd.

Vermeld in geval van vragen de volgende gegevens:

- Stroomtype van de motor
- Gegevens van het typeplaatje van de motor

15. Afvalverwijdering en recycling

Het toestel bevindt zich in een verpakking om transportschade te voorkomen. Deze verpakking is een grondstof en bijgevolg herbruikbaar of kan in de grondstofkringloop teruggebracht worden

Het toestel en zijn accessoires bestaan uit diverse materialen, zoals b.v. metaal en kunststof. Ontdoe u van defecte onderdelen op de inzamelplaats waar u gevaarlijke afvalstoffen mag afgeven. Informeer u in uw speciaalzaak of bij uw gemeentebestuur!

16. Verhelpen van storingen

| Storing | Mogelijke oorzaak | Oplossing |
|---|---|--|
| De motor functioneert niet | Motor, kabel of stekker defect, zekeringen doorgebrand | Laat de machine door een vakman controleren. Repareer de motor nooit zelf. Gevaar! Controleer de zekeringen en vervang ze zo nodig |
| De motor draait langzaam en bereikt het bedrijfstoerental niet. | Spanning te laag, wikkelingen beschadigd of condensator doorgebrand | Laat de spanning controleren door een elektromonteur. Laat de motor controleren door een vakman. Laat de condensator vervangen door een vakman |
| De motor maakt te veel lawaai | Wikkelingen beschadigd, motor defect | Laat de motor controleren door een vakman |
| De motor bereikt niet het volledige vermogen. | Groep van stroomnet overbelast (lampen, andere motoren enz.) | Gebruik geen andere apparaten of motoren op de groep |
| Motor raakt snel oververhit. | Overbelasting van de motor, ontoereikende koeling van de motor | Voorkom overbelasting van de motor tijdens het zagen, verwijder stof van de motor om een optimale koeling van de motor te garanderen |
| Zaagsnede is ruw of gegolfd | Zaagblad bot, tandvorm niet geschikt voor materiaaldikte | Zaagblad slijpen of een geschikt zaagblad plaatsen |
| Werkstuk breekt uit of versplintert | Zaagdruk te hoog of zaagblad niet geschikt voor toepassing | Plaats een geschikt zaagblad |



De verpakking is gemaakt van milieuvriendelijke materialen die u bij lokale recyclingcentra kunt inleveren.

Informatie over het afvoeren van versleten apparatuur kunt u opvragen bij uw gemeente.

Oude apparatuur mag niet bij het huisafval worden gegooid!



Dit symbool geeft aan dat dit product conform de richtlijn inzake verbruikte elektrische en elektronische apparatuur (2012/19/EU) en nationale wettelijke bepalingen niet bij het huishoudelijk vuil mag worden gegooid.

Dit product moet bij een hiervoor bestemde verzamelpunt worden afgegeven. Dit kan bijv. door teruggave bij de aanschaf van een soortgelijk product of door inlevering bij een erkend inzamelpunt voor het recyclen van verbruikte elektrische en elektronische apparatuur. Het onjuist afvoeren van oude apparatuur kan door mogelijke gevaarlijke stoffen, die veelal in verbruikte elektrische en elektronische apparatuur zijn verwerkt, negatieve effecten op het milieu en de gezondheid van de mens hebben. Door een juiste afvoer van dit product levert u bovendien een bijdrage aan een effectief gebruik van natuurlijke resources. Informatie inzake inzamel punten voor verbruikte apparatuur kunt u opvragen bij de gemeente, de publieke afvalverwerker, een erkend afvalverwerkingsstation voor het afvoeren van verbruikte elektrische en elektronische apparatuur of uw afvalverwerkingsstation.

17. Garantiebewijs

Geachte klant,

onze producten zijn aan een strenge kwaliteitscontrole onderhevig. Mocht dit apparaat echter ooit niet naar behoren functioneren, spijt het ons ten zeerste en vragen u zich tot onze servicedienst onder het adres vermeld op dit garantiebewijs te wenden. Wij staan ook graag telefonisch tot uw dienst via het hieronder vermelde servicetelefoonnummer. Voor vorderingen in verband met garantie geldt het volgende:

- Deze garantievoorwaarden regelen bijkomende garantieprestaties. Uw wettelijke garantieclaims blijven onaangetast door deze garantie. Onze garantieprestatie is voor uw gratis.
- De garantieprestatie heeft uitsluitend betrekking op gebreken die te wijten zijn aan materiaal- of fabricagefouten en is beperkt tot het verhelpen van deze gebreken of het vervangen van het apparaat. Wij wijzen erop dat onze apparaten overeenkomstig hun bestemming niet geconstrueerd zijn voor commercieel, ambachtelijk of industrieel gebruik. Een garantieovereenkomst komt daarom niet tot stand als het apparaat in ambachtelijke of industriële bedrijven alsmede bij gelijk te stellen activiteiten wordt gebruikt. Uitgesloten van onze garantie zijn verder schadeloosstellingen voor transportschade, schade door nietnaleving van de montage-instructies of op grond van ondeskundige installatie, niet-naleving van de handleiding (zoals door b.v. aansluiting op een verkeerde netspanning of stroomsoort), oneigenlijke of onoordeelkundige toepassingen (zoals b.v. overbelasting van het apparaat of gebruik van niet toegestane inzetgereedschappen of toebehoren), niet-naleving van de onderhouds- en veiligheidsbepalingen, binnendringen van vreemde voorwerpen in het apparaat (zoals b.v. zand, stenen of stof), gebruikmaking van geweld of invloeden van buitenaf (zoals b.v. schade door neervallen) alsmede door normale slijtage die zich bij het doelmatig gebruik van het apparaat voordoet.

Er kan geen aanspraak op garantie worden gemaakt als op het apparaat reeds ingrepen werden uitgevoerd.

- De garantieperiode bedraagt 3 jaar en gaat in op de datum van aankoop van het apparaat. Garantieclaims dienen voor het verloop van de garantieperiode binnen de twee weken na het vaststellen van het defect geldend te worden gemaakt. Het geldend maken van garantieclaims na verloop van de garantieperiode is uitgesloten. De herstelling of vervanging van het apparaat leidt noch tot een verlenging van de garantieperiode noch wordt door deze prestatie een nieuwe garantieperiode voor het apparaat of voor eventueel ingebouwde wisselstukken op gang gebracht. Dit geldt ook bij het ter plaatse uitvoeren van een serviceactiviteit.
- Om een garantieclaim geldend te maken neem contact op met het hieronder vermelde serviceadres. Als de klacht binnen de garantieperiode valt, ontvangt u van ons een retourbon waarmee u uw defecte apparaat gratis naar ons kunt retourneren. Wij verzoeken u de reden van de klacht zo nauwkeurig mogelijk te beschrijven. Valt het defect van het apparaat binnen onze garantieprestatie bezorgen wij u per omgaande een hersteld of nieuw apparaat terug.

Uiteraard staan wij ook tot u dienst om mits betaling van de kosten defecten van het apparaat te verhelpen die buiten de garantieomvang vallen. Te dien einde stuurt u het apparaat aan ons serviceadres op.

Service-hotline / Hotline du service (NL/BE):

+800 4003 4003

(0,00 €/Min.)

E-mailadres / Email du service (NL):

service.NL@schepbach.com

E-mailadres / Email du service (BE):

service.BE@schepbach.com

Serviceadres / Adresse du service (NL/BE):

EURO Elektrowerkzeug- und Maschinen Service

Bürgerbuschweg 20

DE - 51381 Leverkusen



Op www.lidl-service.com kunt u deze en talloze andere handleidingen, productvideo's en installatiesoftware downloaden.

Met de QR-code komt u direct op de Lidl-Service-pagina (www.lidl-service.com) en kunt u met het invoeren van het artikelnummer (IAN) 338493_2007 uw gebruikshandleiding openen.

| | | |
|-----|---------------------------------------|-----|
| 1. | Vysvětlení symbolů na přístroji | 60 |
| 2. | Úvod | 61 |
| 3. | Popis přístroje (obr. 1-22) | 61 |
| 4. | Rozsah dodávky | 62 |
| 5. | Použití podle účelu určení | 62 |
| 6. | Bezpečnostní pokyny | 62 |
| 7. | Technická data | 65 |
| 8. | Před uvedením do provozu | 66 |
| 9. | Montáž | 66 |
| 10. | Obsluha | 67 |
| 11. | Údržba | 68 |
| 12. | Doprava | 69 |
| 13. | Uložení | 69 |
| 14. | Elektrická přípojka | 69 |
| 15. | Likvidace a recyklace | 70 |
| 16. | Odstraňování závad | 71 |
| 17. | Záruční list | 72 |
| 18. | Prohlášení o shodě | 131 |

1. Vysvětlení symbolů na přístroji



CZ

Před uvedením do provozu si přečtěte a dodržujte návod k obsluze a bezpečnostní pokyny.



CZ

Noste ochranné brýle!



CZ

Noste ochranná sluchátka!



CZ

Bude-li se při práci prášit, noste ochranu dýchacích cest!



CZ

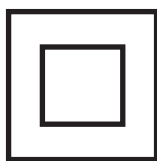
Pozor! Nebezpečí poranění! Nedotýkejte se pilového listu v provozu!



Achtung! - Laserstrahlung
Nicht in den Strahl blicken!
Laser Klasse 2
Laserspezifikation nach EN 60825-1:2014
λ = 650 nm P_e < 1 mW

CZ

Pozor! Laserové záření



CZ

Třída ochrany II (dvojitá izolace)

2. Úvod

VÝROBCE:

scheppach

Fabrikation von Holzbearbeitungsmaschinen GmbH
Günzburger Straße 69
D-89335 Ichenhausen

VÁŽENÝ ZÁKAZNÍKU,

Přejeme Vám hodně radosti a úspěchů při práci s Vaším novým přístrojem.

UPOZORNĚNÍ:

Podle platného zákona o ručení výrobce za škody způsobené vadou výrobku neručí výrobce tohoto přístroje za škody, které vzniknou na tomto přístroji nebo tímto přístrojem při:

- Neodborném zacházení,
- Nedodržování návodu k obsluze,
- Opravách třetí osobou, neautorizovanými odborníky,
- Zabudování a výměně neoriginálních náhradních dílů,
- Používání v rozporu s určením,
- Výpadcích elektrického zařízení při nedodržení elektrických předpisů a ustanovení předpisů VDE 0100, DIN 57113 / VDE0113.

Doporučíme vám:

Před montáží a uvedením do provozu si přečtěte celý text návodu k obsluze.

Tento návod k obsluze Vám má ulehčit seznámení s vaším strojem a využití možností jeho použití podle určení.

Návod k obsluze obsahuje důležité pokyny a upozornění, jak bezpečně, odborně a hospodárně pracovat se strojem, a jak zabránit nebezpečí, ušetřit náklady za opravy, snížit ztrátové časy, a zvýšit spolehlivost a životnost stroje.

K bezpečnostním ustanovením tohoto návodu k obsluze musíte navíc bezpodmínečně dodržovat předpisy své země, platné pro provoz stroje.

Uchovávejte návod k obsluze u stroje v ochranném pouzdře, chráněný před nečistotou a vlhkostí. Každý pracovník obsluhy si ho musí před zahájením práce přečíst a pečlivě dodržovat.

Na stroji smí pracovat jen osoby, které jsou poučené v používání stroje, a informované o nebezpečích s tím spojených. Je nutné dodržovat vyžadovaný minimální věk.

Vedle bezpečnostních pokynů a upozornění obsažených v tomto návodu k obsluze a zvláštních předpisů vaší země je nutné dodržovat všeobecně uznávané technické předpisy pro provoz.

Nepřebíráme žádné ručení za škody a úrazy vzniklé v důsledku nedodržování tohoto návodu k obsluze a bezpečnostních pokynů.

3. Popis přístroje (obr. 1-22)

1. Rukojeť
 2. Za-/vypínač
 3. Závěrný spínač
 4. Hlava stroje
 5. Pohyblivá ochrana pilového kotouče
 - 5a. Upevňovací šroub
 6. Pilový kotouč
 7. Upínací zařízení
 - 7a. Šroub s hvězdicí
 8. Opěrná plocha pro obrobky
 9. Zajišťovací šroub pro opěrnou plochu pro obrobky
 10. Vložka stolu
 11. Rukojeť / Upevňovací šroub pro otočný stůl
 12. Ukazatel
 13. Stupnice
 14. Otočný stůl
 15. Pevný stůl pily
 16. Dorazová lišta
 - 16a. Posuvná dorazová lišta
 - 16b. Zajišťovací šroub
 17. Sběrný sáček na piliny
 18. Úhlová stupnice
 19. Ukazatel úhlu
 20. Zajišťovací šroub pro vedení pojezdu
 21. Vedení pojezdu
 22. Zajišťovací šroub
 23. Pojistný čep
 24. Rýhovaný šroub pro omezení hloubky řezu
 - 24a. Omezení hloubky řezu pomocí rýhované matice
 25. Doraz pro omezení hloubky řezu
 26. Seřizovací šroub (90°)
 - 26a. Pojistná matice (90°)
 27. Seřizovací šroub (45°)
 - 27a. Pojistná matice (45°)
 28. Přírubový šroub
 29. Vnější příruba
 30. Blokování hřídele pily
 31. Vnitřní příruba
 32. Laser
 - 32a. Kryt laserového pouzdra
 - 32b. Šroub s křížovou hlavou
 33. Za-/vypínač laseru
 34. Vodicí třmen
 35. Zajišťovací páka
 36. Pojistka proti převržení
 37. Délkový doraz
 38. Nastavovací šroub
- A.) 90° příložený úhelník (není obsažen v rozsahu dodávky)
B.) 45° příložený úhelník (není obsažen v rozsahu dodávky)
C.) Klíč s vnitřním šestihranem, 6 mm
D.) Klíč s vnitřním šestihranem, 3 mm
E.) Šroub s křížovou hlavou (laser)

4. Rozsah dodávky

- Kapovací a pokosová pila s pojezdem
- 2 x upínací zařízení (7)
- 2 x opěrná plocha pro obrobky (8) (předem sestavena)
- Sběrný sáček na piliny (17)
- Klíč s vnitřním šestihranem 6 mm (C)
- Klíč s vnitřním šestihranem 6 mm (D)
- Návod k obsluze

5. Použití podle účelu určení

Kapovací a pokosová pila s pojezdem slouží ke kapování dřeva a plastů, odpovídajíc velikosti stroje. Pila není vhodná pro řezání palivového dříví.

Upozornění!

Přístroj nepoužívejte k řezání jiných materiálů, než je popsáno v návodu k obsluze.

Upozornění!

Dodávaný pilový list je určen výlučně k řezání dřeva! Nepoužívejte jej k řezání palivového dříví!

Stroj může být použit pouze pro své určení. Každé další použití, které přesahuje toto určení, není použití k určenému účelu. Za poškození, z toho vyplývající, nebo zranění jakéhokoliv druhu ručí uživatel/obsluha a ne výrobce.

Používat se s ním pouze pro stroj vhodné pilové kotouče. Použití dělicích kotoučů všech druhů je zakazované.

Součástí použití podle účelu určení je také dbát bezpečnostních pokynů, tak jako na-vodu k montáži a provoz-ních pokynů v na-vodu k použití.

Osoby, které stroj obsluhují a udržují, mu-si být s tímto seznámeny a být poučeny o možných nebezpečích.

Kromě toho mu-si být co nejpřísněji dodržovány plat-ne před-pisy k předcházení úrazům.

Dale je třeba dodržovat ostatní všeobecná pravidla v pracov-nělekařských a bezpečnostně technických oblastech.

Změny na stroji zcela vyloučují ruče-ní vy-robce a z toho vzniklé škody.

I přes použití podle účelu určení nelze zcela vyloučit určité zbytkově rizikové faktory. Podmíněna konstrukci a uspořa-datelným stroje se mohou vyskytnout následleji rizika:

- Dotknutí se pilového kotouče v nezakryté části pily.
- Sáhnutí do bělicího pilového kotouče (řezné zranění)
- Zpětný vrh obrobků a jejich částí.
- Zlomení pilového kotouče.
- Vyletnutí vadných tvrdokovových částí pilového kotouče.
- Poškození sluchu, pokud se nepoužívá nezbytná ochrana sluchu.
- Zdraví škodlivé emise dřevního prachu při používání v uzavřených místnostech.

Dbejte prosím na to, že naše stroje nejsou konstruované pro živnostenské, řemeslné nebo průmyslové použití. Nepřijímáme žádné záruky, když se stroj používá při živnostenské výrobě, řemeslné výrobě nebo průmyslovém provozu nebo při podobných činnostech.

6. Bezpečnostní pokyny

Obecné bezpečnostní pokyny pro elektrické nástroje

⚠ VAROVÁNÍ: Přečtěte si všechny bezpečnostní pokyny, instrukce, ilustrace a technické údaje, kterými je tento elektrický nástroj opatřen. Pokud opomenete dodržovat následující instrukce, může to způsobit zásah elektrickým proudem, požár a/nebo těžká zranění.

Uchovejte si do budoucna veškeré bezpečnostní pokyny a instrukce.

Pojem „elektrický nástroj“, který je uveden v bezpečnostních pokynech, se vztahuje na elektrický nástroj (se síťovým kabelem), poháněný proudem ze sítě nebo na elektrický nástroj poháněný akumulátorem (bez síťového kabelu).

1. Bezpečnost na pracovišti

- **Udržujte svou pracovní oblast čistou a dobře osvětlenou.** Pracovní oblasti, ve kterých je nepořádek nebo nejsou osvětlené, mohou vést k nehodám.
- **Neppracujte s tímto elektrickým nástrojem v prostředí ohroženém výbuchem, ve kterém se nacházejí hořlavé kapaliny, plyny nebo prach.** Elektrické nástroje vytvářejí jiskry, které by mohly zapálit prach nebo výpary.
- **Udržujte děti nebo jiné osoby během používání elektrického nástroje v patřičné vzdálenosti.** Při nesoustředěnosti můžete ztratit kontrolu nad elektrickým nástrojem..

2. Elektrická bezpečnost

- **Přípojná zástrčka elektrického nástroje musí být vhodná pro danou zásuvku. Zástrčka se nesmí žádným způsobem měnit. V kombinaci s uzemněnými elektrickými nástroji nepoužívejte žádné zásuvkové adaptéry.** Nezměněné zástrčky a vhodné zásuvky zmenšují riziko zasažení elektrickým proudem.
- **Zabraňte kontaktu těla s uzemněnými povrchy jako trubkami, topeními, sporáky a chladničkami.** Je-li vaše tělo uzemněné, hrozí zvýšené riziko zasažení elektrickým proudem.
- **Elektrické nástroje chraňte před deštěm a vlhkem.** Vniknutí vody do elektrického nástroje zvyšuje riziko zásahu elektrickým proudem.
- **Přípojovací vedení nepoužívejte k přenášení a zavěšení elektrického nástroje, nebo k vytáhnutí zástrčky ze zásuvky. Přípojovací vedení chraňte před horkem, olejem, ostrými hranami nebo pohyblivými díly.** Poškozené nebo zamo-tané přípojné vedení zvyšuje riziko zasažení elektrickým proudem.
- **Používáte-li elektrický nástroj venku, použijte prodlužovací kabely vhodné i pro venkovní použití.** Používání vhodného prodlužovacího vedení vhodného pro venkovní použití snižuje riziko zasažení elektrickým proudem.

- **Pokud není možno zabránit provozu elektrického nástroje ve vlhkém prostředí, použijte proudový chránič.** Použití vložky pro proudový chránič zmírňuje riziko zasažení elektrickým proudem.

3. Bezpečnost osob

- **Při práci s elektrickým nástrojem buďte pozorní a neustále dávejte pozor na to, co děláte a postupujte vždy s rozvahou. Nepoužívejte elektrický nástroj, jste-li unaveni nebo pod vlivem drog, alkoholu nebo léků.** Okamžik nepozornosti při používání elektrického nástroje může vést k vážným zraněním.
- **Používejte osobní ochranné pracovní prostředky a vždy ochranné brýle.** Použití osobních ochranných pracovních prostředků jako je protiprachová maska, protiskluzová bezpečnostní obuv, ochranná helma nebo ochrana sluchu podle druhu a způsobu použití elektrických nástrojů zmenšuje riziko zranění.
- **Zabraňte neúmyslnému uvedení do provozu. Než elektrický nástroj připojíte k napájení proudem a/nebo akumulátoru a než jej budete zvedat nebo nosit, ujistěte se, že je vypnutý.** Máte-li při přenášení elektrického nástroje prst na spínači nebo zapojíte-li elektrický nástroj do zásuvky zapnutý, může to vést nehodám.
- **Před zapnutím elektrického nástroje odstraňte veškeré seřizovací nástroje nebo klíče.** Nástroj nebo klíč, který se nachází v otáčejícím se dílu elektrického nástroje, může vést ke zraněním.
- **Vyhněte se nestabilnímu držení těla. Zajistěte si stabilní postoj a vždy udržujte rovnováhu.** Tak můžete elektrický nástroj v nečekaných situacích lépe udržet pod kontrolou.
- **Noste vhodný oděv. Nenoste volný oděv nebo šperky. Udržujte vlasy a oděv v bezpečné vzdálenosti od pohybujících se dílů.** Volný oděv, šperky nebo dlouhé vlasy mohou být zachyceny rotujícími díly.
- **Je-li možné namontovat zařízení pro odsávání a zachycování prachu, je třeba je namontovat a správně používat.** Používání odsávání prachu může snížit ohrožení prachem.
- **Nenechte se ukolébat falešným pocitem bezpečí a nepřeskočte bezpečnostní pravidla pro elektrické nástroje, i když je po častém používání elektrického nástroje znáte.** Nedbalé chování může vést ve zlomku sekundy k těžkým zraněním.

4. Používání a manipulace s elektrickým nástrojem

- **Nepřetěžujte elektrický nástroj. Pro svou práci používejte vhodný elektrický nástroj.** S vhodným elektrickým nástrojem budete pracovat lépe a bezpečněji v udávaném rozsahu výkonu.
- **Nepoužívejte elektrický nástroj, jehož vypínač je vadný.** Elektrický nástroj, který již nelze zapnout nebo vypnout, je nebezpečný a musí být opraven.

- **Než budete provádět nastavení nástroje, měnit díly vložného nástroje nebo elektrický nástroj odložíte, vytáhněte zástrčku ze zásuvky a/nebo vyjměte vyjímatelný akumulátor.** Toto preventivní bezpečnostní opatření brání neúmyslnému spuštění elektrického nástroje.
- **Nepoužívané elektrické nástroje uchovávejte mimo dosah dětí. Nenechte elektrický nástroj používat osoby, které s ním nejsou seznámeny nebo si nepřečetly tento návod.** Elektrické nástroje představují nebezpečí, jsou-li používány nezkušenými osobami.
- **O elektrické nástroje a nástavec pečlivě pečujte. Kontrolujte, zda pohyblivé díly fungují bezvadně a nejdou vzpříčené, zda nejsou prasklé nebo tak poškozené, že je omezena funkčnost elektrického nástroje.** Poškozené díly nechte před používáním elektrického nástroje opravit. Příčinou mnoha nehod je špatně udržovaný elektrický nástroj.
- **Udržujte řezné nástroje ostré a čisté.** Pečlivě udržované řezné nástroje s ostrými břity se méně přičí a lze je snadněji vést.
- **Používejte elektrický nástroj, příslušenství, nástavce atd. v souladu s instrukcemi. Zohledněte přitom pracovní podmínky a prováděnou činnost.** Používání elektrických nástrojů pro jiné než určené aplikace může vést k nebezpečným situacím.
- **Rukojeti a úchopné plochy udržujte suché, čisté a bez oleje a tuku.** Kluzké rukojeti a úchopné plochy neumožňují bezpečnou obsluhu a kontrolu elektrického nástroje v nepředvídatelných situacích.

5. Servis

- **Nechte svůj elektrický nástroj opravovat pouze kvalifikovaný odborný personál a pouze za použití originálních náhradních dílů.** Tím se zajistí, aby zůstala zachována bezpečnost elektrického nástroje.

Bezpečnostní pokyny pro pokosové pily

- Pokosové pily jsou určeny k řezání dřeva a výrobků ze dřeva, nelze je používat k řezání materiálů na bázi železa jako tyče, pruty, šrouby atd.** Abrazivní prach vede k zablokování pohyblivých dílů jako je dolní ochranný kryt. Jiskry z řezání spalují dolní ochranný kryt, vkladací desku a další plastové díly.
- Obrobek podle možností upevněte pomocí svorek. Když obrobek přidržujete rukou, musíte mít vždy ruku minimálně 100 mm daleko od každé strany kotouče. Neřezejte žádné obrobky, které jsou příliš malé, aby mohly být bezpečně udrženy v ruce.** Pokud máte tuku příliš blízko u pilového kotouče, hrozí zvýšené nebezpečí úrazu po dotyku kotouče.
- Obrobek se nesmí pohybovat a musí být buď upnutý nebo přitlačený proti dorazu a stolu. Obrobek nikdy neposouvejte proti pilovému kotouči a nikdy neřezejte „z volné ruky“.** Volné nebo pohybující se obrobky mohou být velkou rychlostí vymršťeny a způsobit zranění.

- d) **Pilu posouvejte skrze obrobek. Pilu skrze obrobek netáhněte. Pro řez zvedněte pilovou hlavu a táhněte ji po obrobku, aniž byste řezali. Poté zapněte motor, sklopte pilovou hlavu dolů a tlačte pilu skrze obrobek.** Při řezání tahem hrozí nebezpečí, že se pilový kotouč na obrobku vzpříčí a jednotka pilového kotouče se velkou silou vymršťí proti obsluze.
- e) **Nikdy rukou nezkřížte určenou linii řezu před ani za pilovým kotoučem.** Podepření obrobku „zkříženými rukama“, tzn. držení obrobku vpravo vedle pilového kotouče levou rukou nebo naopak je velmi nebezpečné.
- f) **Když se pilový kotouč otáčí, nesahejte za doraz. Nikdy nezmenšujte bezpečnostní vzdálenost 100 mm mezi rukou a rotujícím pilovým kotoučem (platí na obou stranách pilového kotouče, např. při odstraňování odřezků).** Blízkost rotujícího pilového kotouče vaší ruce možná nepůjde rozpoznat můžete se těžce zranit.
- g) **Před řezáním obrobek zkontrolujte. Když je obrobek ohnutý nebo protažený, upněte jej pomocí vně zakřivené strany k dorazu. Vždy zajistěte, aby podél linie řezu nebyla mezi obrobkem, dorazem a stolem mezera.** Ohnuté nebo protažené obrobky se mohou pootočit nebo přemístit a způsobit vzpříčení rotujícího pilového kotouče při řezání. V obrobku nesmí být hřebíky neb cizí tělesa.
- h) **Pilu použijte teprve tehdy, když je stůl zbavený nástrojů a odřezků atd., na stole se smí nacházet pouze obrobek.** Malé odpady, volné kousky dřeva nebo jiné předměty, které se dostanou do styku s rotujícím kotoučem, mohou být odmrštěny vysokou rychlostí.
- i) **Řezajte vždy jen jeden obrobek.** Více obrobků na sobě nelze přiměřeně upnout nebo podržet a mohou se při řezání způsobit vzpříčení nebo sklouznutí kotouče.
- j) **Postarejte se, aby pokosová pila před použitím stále na rovné, pevné pracovní ploše.** Rovná a pevná pracovní plocha snižuje nebezpečí, že pokosová pila ztratí stabilitu.
- k) **Svou práci si naplánujte. Při každé změně sklonu pilového kotouče nebo úhlu zkosení na to, aby byl stavitelný doraz správně seřízený a obrobek podepřený, aniž by se dotkly kotouče nebo ochranného krytu.** Provedte simulovaný pohyb bez pohybu kotouče v celé plánované délce řezu bez zapnutí stroje a bez obrobku na stole, abyste zaručili, že u dorazu nedojde k omezení nebo ohrožení řezu.
- l) **U obrobků širších nebo delších než je horní strana stolu se postarejte o přiměřené podepření např. pomocí prodloužení stolu nebo kozy.** Obrobky delší nebo širší než stůl pokosové pily se mohou převrátit, když nejsou pevně podepřeny. Když se odříznutý kus dřeva nebo obrobek převrátí, může dojít ke zvednutí dolního ochranného krytu nebo jej může rotující kotouč nekontrolovaně vymršťit.
- m) **K prodloužení stolu nebo dodatečnému podepření nevyužívejte dalších osob.** Nestabilní podepření obrobku může vést ke vzpříčení kotouče. Obrobek se také může během řezu posunout a může vás a pomocníky přitáhnout do rotujícího kotouče.

- n) **Odříznutý kus se nesmí přitlačit proti rotujícímu pilovému kotouči.** Pokud máte málo místa, např. při používání podélných dorazů, může se odřezávaný kus vzpříčit vůči kotouči a může být prudce vymršťen.
- o) **Vždy používejte svorku nebo vhodný přípravek na řádné podepření oválného materiálu jako tyče nebo trubky.** Tyče mají během řezání tendenci se odvalovat, přičemž se kotouč „zakousne“ a obrobek může vtáhnout vaši ruku do kotouče.
- p) **Než začnete řezat, nechte kotouč dosáhnout plných otáček.** Sníží to riziko odmrštění obrobku.
- q) **Když se obrobek vzpříčí, nebo kotouč zablokuje, pokosovou pilu vypněte. Počkejte, až se zastaví všechny pohyblivé díly, vytáhněte zástrčku a/nebo vyjměte akumulátor. Následně odstraňte vzpříčený materiál.** Pokud budete v případě takového zablokování dále řezat, může dojít ke ztrátě kontroly nebo poškození pokosové pily.
- r) **Po ukončení řezu pusťte vypínač, podržte pilovou hlavu dole a vyčkejte, až se kotouč zastaví, teprve poté odstraňte uříznutý kus.** Je velmi nebezpečné sahat ruku do blízkosti dobíhajícího kotouče.
- s) **Když provádíte neúplný řez nebo když pustíte vypínač, držte pevně rukojeť, dokud pilová hlava nedosáhne dolní polohy.** Kvůli brzdění pily může být pilová hlava stažena trhnutím směrem dolů, což vede k nebezpečí zranění.

Bezpečnostní pokyny pro manipulaci s pilovými listy

1. Nepoužívejte poškozené nebo deformované pilové kotouče.
2. Nepoužívejte prasklé pilové kotouče. Prasklé pilové kotouče vyřadte z používání. Opravy nejsou povoleny.
3. Nepoužívejte pilové kotouče vyrobené z rychlořezné oceli.
4. Před použitím zkontrolujte stav pilových kotoučů a listů pokosové a dvouruční pily.
5. Používejte výhradně jen pilové kotouče vhodné pro řezaný materiál.
6. Používejte jen výrobcem určené pilové kotouče. Pokud jsou pilové kotouče určené k obrábění dřeva nebo podobných materiálů, musí odpovídat EN 847-1.
7. Nepoužívejte pilové kotouče z vysoce legované rychlořezné oceli (HSS).
8. Používejte pouze pilové kotouče, jejichž maximální povolený počet otáček není menší než maximální počet otáček vřetena přístroje a které jsou vhodné pro řezaný materiál.
9. Při tom dávejte pozor na směr otáčení pilového kotouče.
10. Pilové kotouče používejte pouze tehdy, pokud ovládáte manipulaci s nimi.
11. Dodržujte nejvyšší počet otáček. Maximální počet otáček uvedený na pilovém kotouči nesmí být překročen. Je-li uveden, dodržujte rozsah otáček.
12. Z povrchu čelistí odstraňte nečistoty, mastnotu, olej a vodu.
13. Pro zmenšení otvorů v pilových kotoučích nepoužívejte volné redukční kroužky ani pouzdra.
14. Dbejte na to, aby upevněné redukční kroužky jisticí pilový kotouč měly stejný průměr a alespoň 1/3 průměru řezu.
15. Zajistěte, aby byly připevňované redukční kroužky umístěny vůči sobě paralelně.

16. S pilovými kotouči manipulujte opatrně. Nejlepším způsobem jejich uložení je originální obal nebo speciální obaly. Používejte ochranné rukavice, abyste zlepšili bezpečnost úchopu a dále snížili riziko zranění.
17. Před použitím pilových kotoučů se ujistěte, že jsou správně připevněny všechny ochranné prostředky.
18. Před použitím se ujistěte, že vámi používaný pilový kotouč splňuje technické požadavky tohoto přístroje a že je řádně připevněn.
19. Dodávaný pilový kotouč používejte pouze k řezání dřeva, nikdy k obrábění kovů.
20. Používejte pouze pilový kotouč o průměru odpovídajícím údajům na pile.
21. Je-li to zapotřebí pro stabilitu obrobku, použijte dodatečná uložení obrobků.
22. Během práce se musí vždy upevnit a používat prodloužení uložení obrobku.
23. Vyměňte opotřebenou stolní vložku!
24. Zamezte přehřátí zubů pily.
25. Při řezání plastů předcházejte roztavení plastu.
Používejte správné pilové kotouče. Poškozené nebo opotřebené pilové kotouče včas vyměňte.
Když se pilový kotouč přehřeje, stroj se zastaví. Než budete se zařízením znovu pracovat, nechte pilový kotouč nejprve vychladnout.



Pozor: Laserové záření
Nedívat se do paprsku
Třída laseru 2



Chraňte sebe a své okolí vhodnými bezpečnostními opatřeními před nebezpečím úrazu!

- Nedívat se nechráněnými očima přímo do laserového paprsku.
- Nedívat se nikdy přímo do dráhy paprsků.
- Laserový paprsek nikdy nesměřovat na reflektující plochy, na osoby nebo zvířata. Také laserový paprsek s nízkým výkonem může vážně poškodit oko.
- Pozor - pokud jsou prováděny jiné, než zde uvedené postupy, může to vést k nebezpečnému vystavení paprskům.
- Nikdy neotvírat laserový modul. Mohlo by nečekaně dojít k vystavení záření.
- Laser nesmí být vyměňován za laser jiného typu.
- Opravy laseru smí provádět pouze výrobce laseru nebo autorizovaný zástupce.

Zbytková rizika

Stroj je zkonstruován podle aktuálního stavu techniky a podle uznávaných bezpečnostně-technických norem. Přesto se mohou během práce vyskytnout jednotlivá zbytková rizika.

- Ohrožení zdraví zásahem elektrickým proudem při použití elektrických přívodních kabelů, které nebudou v pořádku.
- Kromě toho mohou přes všechna přijatá preventivní opatření vzniknout zbytková rizika, která nebudou zjevná.
- Zbytková rizika mohou být minimalizována, budete-li dodržovat jak „Bezpečnostní pokyny“, tak „Určené použití“ a Návod k použití.

- Stroj nadměrně nezatěžujte: příliš silný tlak při řezání rychle poškozuje pilový list, což vede ke snížení výkonu stroje při obrábění a jeho přesnosti při řezání.
- Při řezání umělých hmot používejte prosím vždy svorky: části, které mají být odříznuty, musí být vždy upevněny do svorek.
- Zabraňte náhodnému spuštění stroje: při vložení vidlice do elektrické zásuvky nesmí být stisknut hlavní spínač.
- Používejte nástroje, které jsou doporučeny v této příručce. Tím dosáhnete toho, že bude vaše pokosová pila poskytovat optimální výkon.
- Bude-li stroj v provozu, nesmíte nikdy pokládat ruce do oblasti obrábění.
- Před provedením nastavení nebo údržby uvolněte spouštěcí tlačítko a vytáhněte síťovou zástrčku.

Upozornění!

Tento elektrický nástroj vytváří během provozu elektromagnetické pole. Toto pole může za určitých podmínek ovlivňovat aktivní nebo pasivní zdravotní implantáty. Pro snížení rizika vážných nebo smrtelných úrazů doporučujeme osobám se zdravotními implantáty, aby se před obsluhou tohoto elektrického nástroje obrátily na svého lékaře nebo na výrobce zdravotního implantátu.

7. Technická data

| | |
|---|------------------------|
| Motor na síťový proud..... | 220 - 240 V~ 50 Hz |
| Výkon S1..... | 1700 Watt |
| Druh provozu..... | S6 25%* 2000W |
| Otáčky naprázdno n_0 | 4800 min ⁻¹ |
| Pilový kotouč z tvrdokovu..... | ∅ 210 x ∅ 30 x 2,6 mm |
| Počet zubů..... | 24 |
| Maximální šířka zubu pilového kotouče..... | 3 mm |
| Rozsah výkyvu..... | -45° / 0° / +45° |
| Pokosový řez..... | 0° až 45° doleva |
| Šířka řezu při 90°..... | 340 x 65 mm |
| Šířka řezu při 45°..... | 240 x 65 mm |
| Šířka řezu při 2 x 45° (dvojitý pokosový řez)..... | 240 x 38 mm |
| Třída ochrany..... | II / |
| Hmotnost..... | ca. 12,15 kg |
| Třída laseru..... | 2 |
| Vlnová délka laseru..... | 650 nm |
| Výkon laseru..... | < 1 mW |

* Provozní režim S6, nepřetržitý periodický provoz. Provoz se skládá z doby náběhu, doby s konstantním zatížením a doby volnoběhu. Provozní cyklus činí 10 minut, relativní cyklus nasazení činí 25 % provozního cyklu.

Opracovávaný předmět musí být vysoký alespoň 3 mm a široký alespoň 10 mm.

Dávejte pozor, aby byl opracovávaný předmět vždy zajištěn držákem.

Hluk

Hluk této pily byl změřen podle normy EN 62841.

Hladina akustického tlaku L_{PA} 96,5 dB(A)

Nejistota K_{PA} 3 dB

Hladina akustického výkonu L_{WA} 109,5 dB(A)

Nejistota K_{WA} 3 dB

Noste ochranu sluchu.

Působení hluku může vést ke ztrátě sluchu.

Uvedené hodnoty hlukových emisí byly měřeny normovaným zkušebním postupem a mohou být použity ke srovnání elektrického nástroje s jiným.

Uvedené hodnoty hlukových emisí lze použít rovněž k provizornímu posouzení zatížení.

Výstraha:

- Hodnoty hlukových emisí se mohou během reálného používání elektrického nástroje lišit od uvedených hodnot v závislosti na způsobu použití elektrického nástroje, především podle toho, jaký obrobek se bude obrábět.
- Pokuste se udržet zatížení na co nejnižší úrovni. Například opatřeními na omezení pracovní doby. Přitom je třeba zohlednit všechny části provozního cyklu (například doby, kdy je elektrický nástroj odpojen, a doby, kdy je sice zapojen, avšak běží naprázdno).

8. Před uvedením do provozu

- Otevřete balení a opatrně vyjměte přístroj.
- Odstraňte materiál obalu a obalové a přepravní pojistky (pokud je jimi výrobek opatřen).
- Zkontrolujte, zda je obsah dodávky úplný.
- Zkontrolujte přístroj a díly příslušenství, zda se při přepravě nepoškodily.
- Uchovejte obal dle možností až do uplynutí záruční doby.

POZOR

Přístroj a obalové materiály nejsou hračka! Dětem nepatří do rukou plastické sáčky, fólie ani drobné součástky! Hrozí nebezpečí jejich spolknutí a udušení!

- Stroj musí mít vždy stabilní polohu. Připevněte stroj na dílenský stůl, na podstavec apod. Zasuňte 4 šrouby (nejsou součástí rozsahu dodávky) do otvorů pevně zajištěného stolu pily (15). Pevně utáhněte šrouby.
- Povolte předinstalovanou pojistku proti převržení (36) na spodní straně pily, celou ji vytáhněte a znovu zajištěte pomocí imbusového klíče (D).
- K zabránění překlopení stroje nastavte nastavovací šroub (38) na úroveň stolní desky.
- Před uvedením do provozu musí být všechny kryty a bezpečnostní zařízení správně namontovány
- Pilový kotouč musí být volně otočný.
- U již opracovaného dřeva dbát na cizí tělesa jako např. hřebíky nebo šrouby atd.
- Před stisknutím za-/vypínače musí být správně namontován pilový kotouč. Pohyblivé díly musí být volně pohyblivé.
- Před připojením zkontrolovat, zda údaje na datovém štítku souhlasí s údaji sítě.

8.1 Kontrola bezpečnostního zařízení pohyblivý chránič pilového kotouče (5)

Chránič pilového kotouče chrání před náhodným dotykem pilového kotouče a před létajícími třískami.

Zkontrolujte funkci

Sklopte pilu směrem dolů:

- Chránič pilového kotouče musí při sklopení dolů uvolnit pilový kotouč, aniž by se dotkl jiných dílů.
- Při zvednutí pily nahoru do výchozí polohy musí chránič pilového kotouče automaticky zakrýt pilový kotouč.

9. Montáž

9.1 Montáž pily (obr. 1/2/4)

- Pro přestavení otočného stolu (14) povolte rukojeť (11) o cca 2 obrátky a vytáhněte ukazovákem zajišťovací páku (35) směrem nahoru.
- Otočný stůl (14) a ukazatel (12) otočte do požadovaného úhlu stupnice (13) a zafixujte rukojeť (11).
- Zatlačte hlavu stroje (4) zlehka dolů. Současným vytažením a otočením zajišťovacího čepu (23) z držáku motoru se pila odblokuje ze spodní polohy.
- Pro zafixování zajišťovacího čepu (23) v odblokované poloze jej otočte o 90 stupňů.
- Hlavu stroje (4) otočte nahoru.
- Upínací zařízení (7) může být na pevném pilovém stole (15) upevněno buď vlevo nebo vpravo. Zasuňte upínací zařízení (7) do příslušných otvorů na zadní straně dorazové lišty (16) a zajištěte je pomocí hvězdicových šroubů (7a). Při řezání na pokos 0° - 45° je třeba upínací zařízení (7) namontovat pouze po jedné straně (vpravo) (viz obrázek 11-12).
- Uvolněním upevňovacího šroubu (22) je možné naklonit hlavu stroje (4) doleva do max. úhlu 45°.
- Podložky obrobku (8) musí být při práci vždy zajištěny a používány. Nastavte požadovanou velikost tabulky uvolněním nastavovacího šroubu (9). Potom znovu utáhněte nastavovací šroub (9).

9.2 Sběrný sáček na piliny (obr. 1/22)

Pila je vybavena záchytným sáčkem na piliny (17).

Stiskněte kovové západky vaku na třísky (17) a připojte je na výstupní otvor motorové části.

Sáček na piliny (17) může být vyprázdňen pomocí zipu na spodní straně.

9.2.1 Přípojka k externímu odprašovacímu zařízení

- Připojte odsávací hadici k odprašovacímu zařízení.
- Odsávací zařízení musí být vhodné pro zpracovávaný materiál.
- K odsávání zvláště zdraví škodlivého nebo karcinogenního prachu používejte speciální odsávací zařízení.

9.3 Jemné seřízení dorazu pro kapovací řez 90° (obr. 1/2/5/6)

Potřebný nástroj:

- Imbusový klíč 6 mm
- Vidlicový klíč SW13 (není obsažen v rozsahu dodávky)

• Příložený úhelník není obsažen v rozsahu dodávky.

- Hlavu stroje (4) skloňte dolů a zafixujte ji zajišťovacím čepem (23).
- Uvolněte upevňovací šroub (22).
- Příložený úhelník (A) vložte mezi list pily (6) a otočný stůl (14).
- Uvolněte pojistnou matici (26a).

- Seřizovací šroub (26) nastavte tak, aby úhel mezi pilovým listem (6) a otočným stolem (14) byl 90°.
- Pojistnou matici (26a) znovu utáhněte.
- Na závěr zkontrolujte polohu indikace úhlu. Pokud je třeba, uvolněte ukazatel (19) křížovým šroubovákem, nastavte jej do polohy 0° úhlové stupnice (18) a přídržný šroub opět utáhněte.

9.4 Jemné nastavení dorazu pro pokosový řez 45° (obr. 1/2/5/9/10)

Potřebný nástroj:

- Imbusový klíč 6 mm
- Vidlicový klíč SW13 (není obsažen v rozsahu dodávky)
- **Příložený úhelník není obsažen v rozsahu dodávky.**
- Hlavu stroje (4) skloňte dolů a zafixujte ji zajišťovacím čepem (23).
- Otočný stůl (14) zafixujte v poloze 0°.

Pozor!

Posuvná dorazová lišta (16a) musí být upevněná pro řezu pod úhlem (vhodná pilová hlava) ve vnější poloze. (**Levá strana**).

- Povolte upevňovací šroub (16b) posuvné dorazové lišty (16a) a vysuňte posuvnou dorazovou lištu (16a) ven.
- Posuvné dorazové lišty (16a) se musí zaaretovat tak, aby vzdálenost mezi dorazovými lištami (16a) a pilovým kotoučem (6) byla alespoň 8 mm.
- Posuvná dorazová lišta (16a) se musí nacházet ve vnitřní poloze (**Pravá strana**).
- Zkontrolujte před řezem, že není mezi dorazovou lištou (16a) a kotoučem pily (6) možná kolize.
- Povolte upevňovací šroub (22) a pomocí rukojeti (1) nakloňte hlavu stroje (4) doleva, do úhlu 45°.
- Příložený úhelník 45° (B) vložte mezi kotouč pily (6) a otočný stůl (14).
- Uvolněte pojistnou matici (27a) a nastavovací šroub (27) seřídte tak, aby byl úhel mezi pilovým listem (6) a otočným stolem (14) přesně 45°.
- Pojistnou matici (27a) znovu utáhněte.
- Na závěr zkontrolujte polohu indikace úhlu. Pokud je třeba, uvolněte ukazatel (19) křížovým šroubovákem, nastavte jej do polohy 45° úhlové stupnice (18) a přídržný šroub opět utáhněte.

10. Obsluha

10.1 Provoz laseru (obr. 18)

- **Zapnutí:** Spínač/vypínač laseru (33) stiskněte 1 x. Na obráběný obrobek se promítne laserová linie, která znázorňuje přesné vedení řezu.
- **Vypnutí:** Spínač/vypínač laseru (33) stiskněte znovu.

10.2 Omezení hloubky řezu (řezání drážky)

(obr. 3/13)

⚠ VAROVÁNÍ

Nebezpečí zpětného rázu! Při řezání drážek je obzvláště důležité, aby na pilový kotouč nebyl vyvíjen žádný boční tlak. Jinak může být pilová hlava náhle vymrštěna směrem nahoru! Při řezání drážek použijte upínací zařízení. Vyvarujte se bočního tlaku na pilovou hlavu.

- Pomocí šroubu (24) může být plynule nastavena hloubka řezu. Uvolnit rýhovanou matici na šroubu (24a). Nastavit požadovanou hloubku řezu utažením nebo povolením šroubu (24). Poté opět utáhnout rýhovanou matici (24a) na šroubu (24).
- Zkontrolujte nastavení pomocí zkušebního řezu.

10.3 Sériový řez

Pro opakované řезy se stejnou délkou lze odklopit délkový doraz (37). Můžete použít délkový doraz (37) na pravé a levé straně.

- Vyklopte délkový doraz (37) nahoru.
- Povolte zajišťovací šroub pro uložení obrobku (9).
- Vytáhněte uložení obrobku (8) ven.
- Nastavte požadovaný rozměr mezi pilovým listem a délkovým dorazem (37).
- Zajišťovací šroub pro uložení obrobku (9) opět utáhněte.
- Provedte řезy podle popisu v bodech 10.4 až 10.7.

10.4 Kapovací řez 90° a otočný stůl 0° (obr. 1/2/7)

U šířek řezu cca do 100 mm lze zafixovat tažnou funkci pily upevňovacím šroubem (20) v zadní poloze. V této poloze může stroj pracovat v kapovacím provozu. Pokud by šířka řezu byla větší než 100 mm, je třeba dbát na to, aby byl upevňovací šroub (20) uvolněný a hlava stroje (4) se volně pohybovala.

Pozor!

Posuvné dorazové lišty (16a) musí být pro kapovací řезy 90° upevněné ve vnitřní poloze.

- Povolte upevňovací šrouby (16b) posuvných dorazových lišt (16a) a zasuňte posuvné dorazové lišty (16a) dovnitř.
- Posuvné dorazové lišty (16a) se musí zaaretovat tak, aby vzdálenost mezi dorazovými lištami (16a) a pilovým kotoučem (6) byla maximálně 8 mm.
- Zkontrolujte před řezem, zda není mezi dorazovými lištami (16a) a pilovým kotoučem (6) možná kolize.
- Upevňovací šroub (16b) opět utáhněte.
- Hlavu stroje (4) vyklopte směrem nahoru.
- Hlavu stroje (4) posunout pomocí rukojeti (1) dozadu a popřípadě v této poloze zafixovat. (podle šířky řezu).
- Položit dřevo určené k řezání na dorazovou lištu (16) a otočný stůl (14).
- Materiál zajistit pomocí upínacího zařízení (7) na pevném stole pily (15), aby se zabránilo posunutí obrobku během řezání.
- Odblokujte závěrný spínač (3) a stiskněte vypínač (2) pro zapnutí motoru.
- **Při zafixovaném vedení pojezdu (21):** Hlavu stroje (4) posunovat pomocí rukojeti (1) rovnoměrně a s lehkým tlakem směrem dolů, až pilový kotouč (6) prořeže obrobek.

- **Při nezafixovaném vedení pojezdu (21):** Hlavu stroje (4) vytáhnout zcela dopředu. Rukojeť (1) rovnoměrně a s lehkým tlakem spustit zcela dolů. Hlavu stroje (4) nyní pomalu a rovnoměrně posunout zcela dozadu, až pilový kotouč (6) úplně prořeže obrobek.
- Po ukončení řezání uvést hlavu pily opět do horní klidové polohy a pustit za-/ vypínač (2).

Pozor! Díky vratné pružině se stroj vrací automaticky nahoru, tzn. rukojeť (1) po ukončení řezu nepouštět, ale hlavu stroje pomalu a za mírného protitlaku posouvat směrem nahoru.

10.5 Kapovací řez 90° a otočný stůl 0° - 45° (obr. 1/7/8)

Pomocí kapovací pily mohou být prováděny kapovací řezy 0° - 45° doleva a 0° - 45° doprava k dorazové liště.

Pozor!

Posuvná dorazová lišta (16a) musí být upevněná pro kapovací řezy 90° ve vnitřní poloze

- Otevřete upevňovací šroub (16b) posuvné dorazové lišty (16a) a posuňte posuvnou dorazovou lištu (16a) dovnitř.
- Posuvné dorazové lišty (16a) se musí zaaretovat tak, aby vzdálenost mezi dorazovými lištami (16a) a pilovým kotoučem (6) byla alespoň 8 mm.
- Zkontrolujte před řezem, že není mezi dorazovou lištou (16a) a kotoučem pily (6) možná kolize.
- Upevňovací šroub (16b) opět utáhněte.
- Uvolněte rukojeť (11), pokud je pevně utažená. Vytáhněte zajišťovací páku (35) ukazovákem nahoru. Nastavte otočný stůl (14) pomocí rukojeti (11) do požadovaného úhlu.
- Ukazatel (12) na otočném stole musí souhlasit s požadovaným úhlem stupnice (13) na pevném pilovém stole (15).
- Rukojeť (11) opět utáhněte, abyste otočný stůl zafixovali.
- Proveďte řez podle popisu v bodě 10.4.

10.6 Pokosový řez 0° - 45° a otočný stůl 0° (obr. 1/2/11)

Pomocí kapovací pily mohou být prováděny pokosové řezy doleva 0° - 45° k pracovní ploše.

Pozor!

Posuvná dorazová lišta (16a) musí být upevněná pro řezy pod úhlem (vhodná pilová hlava) ve vnější poloze. **(Levá strana)**.

- Povolte upevňovací šroub (16b) posuvné dorazové lišty (16a) a vysuňte posuvnou dorazovou lištu (16a) ven.
- Posuvné dorazové lišty (16a) se musí zaaretovat tak, aby vzdálenost mezi dorazovými lištami (16a) a pilovým kotoučem (6) byla alespoň 8 mm.
- Posuvná dorazová lišta (16a) se musí nacházet ve vnitřní poloze **(Pravá strana)**.
- Zkontrolujte před řezem, že není mezi dorazovou lištou (16a) a kotoučem pily (6) možná kolize.
- Upevňovací šroub (16b) opět utáhněte.
- Hlavu stroje (4) vyklopte směrem nahoru.
- Otočný stůl (14) zafixujte v poloze 0°.
- Povolte upevňovací šroub (22). Pomocí rukojeti (1) nakloňte hlavu stroje (4) doleva, až bude ukazatel (19) ukazovat na požadovaný úhel na stupnici (18).
- Upevňovací šroub (22) opět utáhněte.
- Proveďte řez podle popisu v bodě 10.4.

10.7 Pokosový řez 0° - 45° a otočný stůl 0° - 45° (obr. 1/2/4/12)

Pomocí kapovací pily mohou být prováděny pokosové řezy doleva 0° - 45° k pracovní ploše a současně 0° - 45° doleva resp. 0° - 45° doprava k dorazové liště (dvojitý pokosový řez).

Pozor!

Posuvná dorazová lišta (16a) musí být upevněná pro řezy pod úhlem (vhodná pilová hlava) ve vnější poloze. **(Levá strana)**.

- Povolte upevňovací šroub (16b) posuvné dorazové lišty (16a) a vysuňte posuvnou dorazovou lištu (16a) ven.
- Posuvné dorazové lišty (16a) se musí zaaretovat tak, aby vzdálenost mezi dorazovými lištami (16a) a pilovým kotoučem (6) byla alespoň 8 mm.
- Zkontrolujte před řezem, že není mezi dorazovou lištou (16a) a kotoučem pily (6) možná kolize.
- Upevňovací šroub (16b) opět utáhněte.
- Hlavu stroje (4) vyklopte směrem nahoru.
- Uvolněte otočný stůl (14) povolením rukojeti (11).
- S pomocí rukojeti (11) nastavte otočný stůl (14) na požadovaný úhel (viz též bod 10.5).
- Rukojeť (11) opět utáhněte, abyste otočný stůl zafixovali.
- Povolte upevňovací šroub (22).
- S pomocí rukojeti (1) nakloňte hlavu stroje (4) doleva, do požadovaného úhlu (viz též bod 10.6).
- Upevňovací šroub (22) opět utáhněte.
- Proveďte řez podle popisu v bodě 10.4.

11. Údržba

⚠ Upozornění! Před každým nastavením, údržbou nebo opravou vytáhněte síťovou zástrčku!

11.1 Všeobecná opatření údržby

Čas od času otřete stroj hadříkem, abyste odstranili třísky a prach. Jednou za měsíc naolejujte otočné díly, abyste prodloužili životnost nástroje. Motor však neolejujte.

K čištění plastových součástí nepoužívejte žádné žíravé látky.

11.2 Čištění bezpečnostního zařízení pohyblivý chránič pilového kotouče (5)

Před každým uvedením do provozu zkontrolujte chránič pilového kotouče na znečištění.

Odstraňte staré piliny a třísky pomocí štětce nebo podobného vhodného nástroje.

11.3 Výměna stolní vložky

Nebezpečí!

V případě poškozené stolní vložky (10) hrozí nebezpečí, že se mezi stolní vložkou a pilovým kotoučem vzpříčí malé předměty a zablokují pilový kotouč. **Poškozenou stolní vložku okamžitě vyměňte!**

1. Vymontujte šrouby na stolní vložce. Příp. otočte otočný stůl a nakloňte pilovou hlavou, abyste se dostali ke šroubům.
2. Odeberte stolní vložku.
3. Vložte novou stolní vložku.
4. Dotáhněte šrouby na stolní vložce.

11.4 Kontrola kartáčů

U nového stroje zkontrolujte uhlíkové kartáče po prvních 50 provozních hodinách anebo po instalaci nových kartáčů. Po první kontrole kartáče kontrolujte každých 10 provozních hodin.

Pokud se uhlík opotřebuje na pouhých 6 mm délky nebo pokud se pružina či paralelní drát spálí nebo poškodí, musíte oba kartáče vyměnit. Pokud zjistíte, že jsou kartáče po vyjmutí ještě použitelné, můžete je namontovat zpátky.

Pro údržbu uhlíkových kartáčků otevřete oba uzávěry (jak je uvedeno na obrázku 21) proti směru pohybu hodinových ručiček. Následně uhlíkové kartáčky odeberte.

Uhlíkové kartáčky opět vložte v opačném pořadí.

11.5 Výměna pilového kotouče (obr. 1/2/14-17)

Vytáhnout sířovou zástrčku!

Pozor!

Při výměně pilového kotouče noste ochranné rukavice! Nebezpečí zranění!

- Hlavu stroje (4) otočte nahoru a zajistěte zajišťovacím čepem (23).
- Uvolněte připevňovací šroub (5a) krytu křížovým šroubovákem.

VÝSTRAŽNÉ UPOZORNĚNÍ!

Tento šroub zcela nevyšroubujte.

- Chránič pilového kotouče (5) vyklopte nahoru natolik, aby byl chránič pilového kotouče (5) nad přírubovým šroubem (28).
- Nasadte jednou rukou inbusový klíč (C) na přírubový šroub (28).
- Pevně podržte inbusový klíč (C) a pomalu zavírejte chránič pilového kotouče (5), dokud nedolehne na inbusový klíč (C).
- Blokování hřídele pily (30) pevně stlačit a přírubový šroub (28) otáčet pomalu ve směru hodinových ručiček. Po max. jednom otočení blokování hřídele pily (30) zaskočí.
- Nyní s větším vynaložením síly uvolnit přírubový šroub (28) ve směru hodinových ručiček.
- Přírubový šroub (28) zcela vytočit a sejmut vnější přírubu (29).
- Pilový kotouč (6) sejmete z vnitřní příruby (31) a vytáhněte směrem dolů.
- Přírubový šroub (28), vnější přírubu (29) a vnitřní přírubu (31) pečlivě vyčistěte.
- Nový pilový kotouč (6) v opačném pořadí opět vložte a utáhnout.
- Sklopte chránič pilového listu (5) dolů, až se chránič pilového listu (5) zavěsí do zajišťovacího šroubu (5a).
- Opět pevně utáhněte upevňovací šroub (5a).

Pozor!

Zkosení zubů, tzn. směr otáčení pilového kotouče (6), musí souhlasit se směrem šipky na krytu.

- Před další prací zkontrolovat funkčnost ochranných zařízení.

Pozor!

Po každé výměně pilového kotouče zkontrolovat, zda pilový kotouč (6) ve vložce stolu (10) volně běží, a to jak ve svislé poloze, tak i v naklonění na 45°.

Pozor!

Výměna a vyrovnání pilového kotouče (6) musí být řádně provedena.

11.6 Nastavení laseru (obr. 19-20)

Pokud laser (32) již neukazuje správnou linii řezu, lze jej seřídit. Uvolněte šrouby (32b) a odstraňte přední kryt (32a). Povolte šrouby s křížovou hlavou (E). Nastavte laser bočním posunutím tak, aby laserový parsek dopadal na zuby pilového kotouče (6).

Po seřízení a utažení laseru namontujte přední kryt a rukou dotáhněte oba šrouby (32b).

Stroj musí být pro nastavení laseru připojeno k elektrické síti.

Pozor!

Při nastavování laseru v žádném případě nestiskněte za-/vypínač (2). Nebezpečí zranění!

11.7 Servisní informace

Je třeba dbát na to, že u tohoto přístroje podléhají následující díly opotřebení přiměřenému použití nebo přirozenému opotřebení, resp. jsou potřebné jako spotřební materiál.

Rychle opotřebitelné díly*: Uhlíkové kartáčky, pilový kotouč, stolní vložka (č. výt. 5901215010), vak na třísky

* není nutně obsaženo v rozsahu dodávky!

12. Doprava

- Rukojeť (11) utáhněte, abyste otočný stůl (14) zajistili.
- Stlačit hlavu stroje (4) dolů a zaaretovat pojistným čepem (23). Pila je nyní zaaretována v dolní poloze.
- Vedení pojezdu pily zafixovat zajišťovacím šroubem pro vedení pojezdu (20) v zadní poloze.
- Stroj nosit za pevný stůl pily (15).
- K opětovné montáži stroje postupujte tak, jak je popsáno v bodě 8 a 9.

13. Uložení

Uložte přístroj a jeho příslušenství na tmavém, suchém místě, chráněném před mrazem a nedostupném pro děti. Optimální skladovací teplota se pohybuje mezi 5 a 30°C.

Elektrický přístroj uchovávejte v originálním obalu.

Elektrický přístroj zakryjte, aby byl chráněn před prachem nebo vlhkem.

Návod k obsluze uložte u přístroje.

14. Elektrická přípojka

Instalovaný elektromotor je zabudován v provozuschopném stavu. Přípojka musí odpovídat příslušným předpisům VDE a DIN. Těmto předpisům musí odpovídat síťová přípojka zákazníka i použité prodlužovací kabely.

- Výrobek splňuje požadavky normy EN 61000-3-11 a podléhá zvláštním připojovacím podmínkám. To znamená, že použití libovolných, volně vybraných připojovacích bodů není přípustné.
- Přístroj může při špatných podmínkách sítě způsobit přechodné výkyvy napětí.

- Výrobek je určen výhradně pro použití v připojovacích bodech, pro které platí následující předpoklady:
 - a) nesmí být překročena maximální přípustná impedance sítě "Z" ($Z_{\max} = 0.339 \Omega$).
 - b) musí být zajištěna trvalá proudová zatížitelnost sítě nejméně 100 A na fázi.
- Vy jako uživatel se musíte ujistit, zda váš připojovací bod, na kterém provozujete výrobek, splňuje jeden ze dvou uvedených požadavků a) nebo b). V případě potřeby se poradte se svým dodavatelem energie.

Důležité pokyny

Při přetížení se motor automaticky vypne. Po určité době na vychladnutí (čas se liší) nechte motor znovu zapnout.

Vadný elektrický přívodní kabel

U elektrických přívodních kabelů často dochází k poškození izolace.

Jeho příčinami mohou být:

- Poškození tlakem, je-li přívodní kabel veden oknem nebo štěrbinou ve dveřích.
- Prohnutí kvůli nevhodnému upevnění nebo vedení přívodního kabelu.
- Zlomení kvůli přejíždění přes přívodní kabel.
- Poškození izolace kvůli vytrhnutí z elektrické zásuvky ve stěně.
- Prorážení v důsledku stárnutí izolace.

Tyto vadné elektrické přívodní kabely nesmí být používány a kvůli poškození izolace jsou životu nebezpečné.

Pravidelně kontrolujte poškození elektrických přívodních kabelů. Dávejte pozor, aby nebyl přívodní kabel při kontrole připojen do elektrické sítě.

Elektrické přívodní kabely musí odpovídat příslušným předpisům VDE a DIN. Používejte pouze propojovací kabely se stejným označením.

Uvedení typového označení na přívodním kabelu je povinné.

Pokud je vedení pro připojení na síť tohoto přístroje poškozeno, musí být vyměněno za zvláštní přípojné vedení, které lze objednat u výrobce nebo jeho zákaznického servisu.

Motor na střídavý proud:

Napětí v síti musí činit 220 - 240 V~.

- Prodlužovací kabely do délky 25 m mít průměr 1,5 milimetru čtverečního.

Připojení a opravy elektrického vybavení mohou provádět pouze odborní elektrikáři.

Při zpětných dotazech uvádějte prosím tyto údaje:

- Typ proudu napájecího motor
- Údaje z typového štítku motoru

15. Likvidace a recyklace

Přístroj je uložen v balení, aby bylo zabráněno poškození při přepravě. Toto balení je surovina a tím znovu použitelné nebo může být dáno zpět do cirkulace surovin.

Příslušenství je vyrobeno z rozdílných materiálů, jako např. kov a plasty. Defektní součástky odevzdejte k likvidaci zvláštních odpadů. Zeptejte se v odborné prodejně nebo na místním zastupitelství!



Obal se skládá z ekologických materiálů, které lze recyklovat v místních sběrných místech.

O možnostech likvidace vysloužilého přístroje vám podá informace správa vaší obce nebo vašeho města.

Odpadní zařízení nesmějí být likvidována spolu s domácím odpadem!



Tento symbol upozorňuje, že tento výrobek nesmí být podle směrnice o odpadních elektrických a elektronických zařízeních (2012/19/EU) a vnitrostátních zákonů likvidován spolu s domácím odpadem. Tento výrobek

musí být odevzdán ve sběrném středisku určeném k tomuto účelu. To lze provést například vrácením při nákupu podobného výrobku nebo odevzdáním v autorizovaném sběrném středisku pro recyklaci odpadních elektrických a elektronických zařízení. Nesprávné zacházení s odpadními zařízeními může mít vzhledem k potenciálně nebezpečným látkám, které jsou v odpadních elektrických a elektronických zařízeních často obsaženy, negativní dopad na životní prostředí a lidské zdraví. Správnou likvidací tohoto výrobku přispíváte také k efektivnímu využívání přírodních zdrojů. Informace o sběrných střediscích pro odpadní zařízení můžete získat u svého magistrátu, veřejnoprávní instituce pro nakládání s odpady, autorizovaného orgánu pro likvidaci odpadních elektrických a elektronických zařízení nebo služby svozu odpadu.

16. Odstraňování závad

| Závada | Možná příčina | Odstranění |
|--|--|--|
| Motor nefunguje. | Motor, kabel nebo zástrčka je vadná, propálené pojistky | Stroj nechte zkontrolovat odborníkem. Motor nikdy neopravujte sami. Nebezpečí! Zkontrolujte pojistky, příp. je vyměňte. |
| Motor se spouští pomalu a nedosahuje provozní rychlosti. | Příliš nízké napětí, poškozená vinutí, propálený kondenzátor | Nechte zkontrolovat napětí kvalifikovaným elektrikářem. Motor nechte zkontrolovat odborníkem. Kondenzátor nechte vyměnit odborníkem. |
| Motor je příliš hlučný. | Poškozená vinutí, vadný motor | Motor nechte zkontrolovat odborníkem. |
| Motor nedosahuje plného výkonu. | Elektrické okruhy v síti jsou přetížené (svítidly, ostatní motory atd.). | Nepoužívejte jiné přístroje nebo motory na stejném elektrickém okruhu. |
| Motor se lehce přehřívá. | Přetížení motoru, nevhodné chlazení motoru | Zabraňte přetížení motoru při řezání, odstraňte prach z motoru a zjistiťte tak optimální chlazení motoru. |
| Řez pilou je hrubý nebo zvlněný. | Pilový list je tupý, má nevhodný tvar zubů pro danou tloušťku materiálu. | Pilový list nabruste, resp. použijte vhodný pilový list. |
| Obrobek se vytrhává, resp. třepí. | Příliš vysoký tlak při řezání, resp. pilový list není vhodný pro dané nasazení | Použijte vhodný pilový list. |

17. Záruční list

Vážena zakaznice, vážený zakazniku,

naše výrobky podléhají přísné kontrole kvality. Pokud i přesto tento přístroj bezvadně nefunguje, velice toho litujeme a prosíme Vás, abyste se obrátili na náš zákaznický servis, jehož adresa je uvedena na tomto záručním listu. Rádi Vám budeme k dispozici také telefonicky na níže uvedeném servisním čísle. Pro uplatňování nároků na záruku platí následující:

- Tyto záruční podmínky upravují dodatečný záruční servis. Vašich zákonných nároků na záruku se tato záruka netýká. Náš záruční servis je pro Vás bezplatný.
- Záruční servis se vztahuje výhradně na nedostatky, které lze odvodit z vad materiálu nebo výrobních vad a je také omezen pouze na odstranění těchto nedostatků, resp. výměnu přístroje. Dbejte prosím na to, že naše přístroje nebyly podle svého účelu určeny konstruovány pro živnostenské, řemeslnické nebo průmyslové použití. Záruční smlouva tak není realizována, pokud byl přístroj používán v živnostenských, řemeslných nebo průmyslových podnicích a při srovnatelných činnostech. Z naší záruky je dále vyloučeno poskytnutí náhrady za dopravní škody, škody způsobené nedodržováním montážního návodu nebo z důvodů neodborné instalace, nedodržování návodu k použití (jako např. připojení na chybné síťové napětí nebo druh proudu), nedovoleného nebo neodborného používání (jako např. přetížení přístroje nebo použití neschválených vložných nástrojů nebo příslušenství), nedodržování pokynů pro údržbu a bezpečnostních pokynů, vniknutí cizích těles do přístroje (jako např. písek, kameny nebo prach), použití násilí nebo poškození v důsledku cizích vlivů (jako např. škody způsobené pádem), jakož také běžného opotřebení způsobeného používáním.

Nárok na záruku zaniká, pokud bylo do přístroje již zasahováno

- Záruční doba činí 3 roky a začíná datem koupě přístroje. Nároky na záruku před vypršením záruční doby je třeba uplatňovat během dvou týdnů od zjištění defektu. Uplatňování nároků na záruku po vypršení záruční doby je vyloučeno. Oprava nebo výměna přístroje nevede k prodloužení záruční doby, ani k zahájení nové záruční doby za provedený výkon pro přístroj nebo pro případné zamontované náhradní díly. Toto platí také v případě servisu v místě Vašeho bydliště.
- Pro uplatnění nároku ze záruky se prosím obraťte na adresu servisu uvedenou dole. Pokud se reklamáce uplatňuje v záruční době, dáme Vám k dispozici formulář pro vrácení, pomocí kterého nám můžete vadný přístroj zdarma zaslat zpět. Popište nám prosím pokud možno přesně důvod reklamáce. Je-li defekt přístroje v našem záručním servisu obsažen, obdržíte obratem opravený nebo nový přístroj.

Samozřejmě rádi za úhradu nákladů odstraníme defekty na přístroji, které nespadají nebo již nespadají do rozsahu záruky. K tomu nám přístroj prosím zašlete na naši servisní adresu.

Servisní horká linka (CZ):

+800 4003 4003
(0,00 €/Min.)

Adresa elektronické pošty (CZ):

service.CZ@schepach.com

Adresa servisního střediska (CZ):

GARLAND distributor s.r.o.
Hradecká 1136
CZ - 50601 Jicín



Na stránkách www.lidl-service.com si můžete stáhnout tyto a mnoho dalších manuálů, produktových videí a instalačních softwarů.

Pomocí kódu QR můžete přímo na stránce servisních služeb Lidl (www.lidl-service.com) otevřít svůj návod k obsluze zadáním čísla výrobku (IAN) 338493_2007.

| | | |
|-----|--|-----|
| 1. | Wyjaśnienie symboli na urządzeniu..... | 74 |
| 2. | Wprowadzenie | 75 |
| 3. | Opis urządzenia (rys. 1-22)..... | 75 |
| 4. | Zakres dostawy | 76 |
| 5. | Użycie zgodne z przeznaczeniem | 76 |
| 6. | Bezpieczeństwa | 76 |
| 7. | Dane techniczne | 80 |
| 8. | Przed uruchomieniem..... | 81 |
| 9. | Montaż | 81 |
| 10. | Obsługa | 82 |
| 11. | Konserwacja..... | 83 |
| 12. | Transport | 84 |
| 13. | Przechowywanie | 84 |
| 14. | Przyłącze elektryczne | 85 |
| 15. | Utylizacja i recykling..... | 85 |
| 16. | Pomoc dotycząca usterek..... | 86 |
| 17. | Gwarancja..... | 87 |
| 18. | Deklaracja zgodności..... | 131 |

1. Wyjaśnienie symboli na urządzeniu



PL

Przed uruchomieniem należy przeczytać niniejszą instrukcję obsługi i przestrzegać wskazówek bezpieczeństwa!



PL

Nosić okulary ochronne!



PL

Nosić nauszniki ochronne!



PL

W przypadku emisji pyłu nosić maskę chroniącą drogi oddechowe!



PL

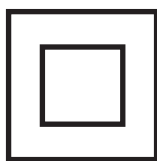
Uwaga! Niebezpieczeństwo odniesienia obrażeń! Nie wkładać rąk w obracający się brzeszczot piły!



Achtung! - Laserstrahlung
Nicht in den Strahl blicken!
Laser Klasse 2
Laserspezifikation nach EN 60825-1:2014
λ = 650 nm P_r < 1 mW

PL

Uwaga! Promieniowanie laserowe



PL

Klasa ochronności II (podwójna izolacja)

2. Wprowadzenie

PRODUCENT:

scheppach

Fabrikation von Holzbearbeitungsmaschinen GmbH
Günzburger Straße 69
D-89335 Ichenhausen

SZANOWNY KLIENCIE,

Życzymy wiele radości i sukcesów w trakcie pracy z nowo nabytym urządzeniem.

WSKAZÓWKA:

W świetle obowiązującego prawa dotyczącego odpowiedzialności za produkt producent tego urządzenia nie odpowiada za szkody, które powstały w tym urządzeniu lub poprzez jego działanie, podczas:

- nieprawidłowej obsługi,
- nieprzestrzegania instrukcji obsługi,
- napraw przeprowadzanych przez osoby trzecie, nieautoryzowanych fachowców,
- montażu i wymiany na nieoryginalne części,
- użytkowania niezgodnego z przeznaczeniem,
- awarii instalacji elektrycznej, w przypadku nieprzestrzegania przepisów elektrycznych i przepisów VDE: 0100, DIN 57113 / VDE 0113.

Rekomendujemy Państwu:

Przed montażem oraz przed rozpoczęciem użytkowania urządzenia należy przeczytać dokładnie cały tekst instrukcji obsługi.

Instrukcja obsługi ma na celu ułatwić Państwu zapoznanie się z nową maszyną oraz umożliwić jak najlepsze wykorzystanie maszyny zgodnie z przeznaczeniem.

Instrukcja obsługi zawiera ważne wskazówki dotyczące bezpiecznej, profesjonalnej i ekonomicznej pracy z maszyną, a także tego, jak uniknąć niebezpieczeństw, obniżyć koszty napraw, unikać przestojów w pracy oraz jak zwiększyć niezawodność i żywotność urządzenia.

Oprócz przepisów bezpieczeństwa zawartych w niniejszej instrukcji należy bezwzględnie przestrzegać lokalnych przepisów krajowych dotyczących eksploatacji maszyny.

Niniejszą instrukcję obsługi należy przechowywać przy maszynie w plastikowej torebce, chroniąc ją przed brudem i wilgocią. Każdy operator urządzenia przed rozpoczęciem z nim pracy powinien przeczytać instrukcję obsługi i dokładnie jej przestrzegać.

Do pracy z urządzeniem mogą być dopuszczone wyłącznie osoby, które zostały przeszkolone w zakresie korzystania z urządzenia i zostały poinformowane o niebezpieczeństwach z tym związanych. Należy przestrzegać wymaganej dolnej granicy wieku.

Poza informacjami o bezpieczeństwie zawartymi w niniejszej instrukcji obsługi oraz szczegółowych przepisach krajowych należy przestrzegać ogólnych zasad technicznych.

Nie ponosimy odpowiedzialności za wypadki lub szkody powstałe wskutek nieprzestrzegania niniejszej instrukcji oraz wskazówek bezpieczeństwa.

3. Opis urządzenia (rys. 1-22)

1. Uchwyt
 2. Włacznik/wyłacznik
 3. Przełącznik blokujący
 4. Głowica maszyny
 5. Ruchoma osłona tarczy tnącej
 - 5a. Śruba mocująca
 6. Tarcza tnąca
 7. Przyrząd mocujący
 - 7a. Śruba z chwytem gwiazdowym
 8. Podpora przedmiotu obrabianego
 9. Śruba ustalająca podpory przedmiotu obrabianego
 10. Wkładka stołowa
 11. Uchwyt / śruba ustalająca stołu obrotowego
 12. Wskaźnik
 13. Skala
 14. Stół obrotowy
 15. Stały stół pilarki
 16. Szyna ogranicznika
 - 16a. Przesuwna szyna ogranicznika
 - 16b. Śruba ustalająca
 17. Worek na wióry
 18. Skala kątowna
 19. Wskaźnik kątowny
 20. Śruba ustalająca prowadnicy
 21. Prowadnica
 22. Śruba ustalająca
 23. Trzpień zabezpieczający
 24. Śruba do ogranicznika głębokości cięcia
 - 24a. Nakrętka radełkowana ograniczenia głębokości cięcia
 25. Ogranicznik głębokości cięcia
 26. Śruba regulacyjna (90°)
 - 26a. Śruba naprężająca (90°)
 27. Śruba regulacyjna (45°)
 - 27a. Śruba naprężająca (45°)
 28. Śruba kołnierzowa
 29. Kołnierz zewnętrzny
 30. Blokada wałka tnącego
 31. Kołnierz wewnętrzny
 32. Laser
 - 32a. Osłona obudowy lasera
 - 32b. Wkręt z rowkiem krzyżowym
 33. Włacznik/wyłacznik lasera
 34. Pałk prowadzący
 35. Dźwignia ustalająca
 36. Zabezpieczenie przed przechyleniem
 37. Ogranicznik długości
 38. Śruba regulacyjna
- A.) 90° przykładnica kątowna (nie dostępna w dostawie)
B.) 45° przykładnica kątowna (nie dostępna w dostawie)
C.) Klucz imbusowy, 6 mm
D.) Klucz imbusowy, 3 mm
E.) Wkręt z rowkiem krzyżowym (laser)

4. Zakres dostawy

- Piła ukośna
- 2 x element napinający (7)
- 2 x nakładka na materiał (8) (zmontowane)
- Worek na wióry (17)
- Klucz imbusowy 6 mm (C)
- Klucz imbusowy 3 mm (D)
- Instrukcja eksploatacji

5. Użycie zgodne z przeznaczeniem

Piła ukośna służy do cięcia drewna i tworzywa sztucznego, których wymiar jest odpowiedni w stosunku do wymiarów urządzenia. Piła nie jest przeznaczona do cięcia drewna opałowego.

Ostrzeżenie!

Nie używać urządzenia do cięcia innych materiałów, niż opisane w instrukcji obsługi.

Ostrzeżenie!

Dostarczony brzeszczot piły jest przeznaczony wyłącznie do cięcia drewna! Nie należy jej używać do cięcia drewna opałowego!

Urządzenia używać tylko zgodnie z jego przeznaczeniem. Każde użycie, odbiegające od opisanego w niniejszej instrukcji jest niezgodne z przeznaczeniem urządzenia. Za powstałe w wyniku niewłaściwego użytkowania szkody lub zranienia odpowiedzialność ponosi użytkownik/ właściciel, a nie producent. Należy używać tylko odpowiednich dla urządzenia brzeszczotów piły. Użycie tarcz tnących innych rodzajów jest niedozwolone.

W zakres użytkowania zgodnego z przeznaczeniem wchodzi również przestrzeganie instrukcji obsługi, instrukcji montażu oraz wskazówek bezpieczeństwa zawartych w niniejszej instrukcji. Osoby obsługujące oraz przeprowadzające prace konserwacyjne na urządzeniu muszą zostać zapoznane z instrukcją jej użytkowania oraz możliwymi niebezpieczeństwami.

Oprócz tego należy przestrzegać wszystkich obowiązujących przepisów bezpieczeństwa pracy.

Dodatkowo należy stosować się do zasad bezpieczeństwa i higieny pracy oraz wymogów medycyny pracy.

Wszelkie modyfikacje urządzenia powodują wykluczenie odpowiedzialności producenta za powstałe w ich następstwie szkody.

Pomimo użytkowania zgodnego z przeznaczeniem istnieją pewne czynniki ryzyka. Mogą one występować w następujących sytuacjach, a wynikają z konstrukcji urządzenia:

- Dotykanie tarczy tnącej w nieosłoniętych miejscach cięcia.
- Chwytnie obracającej się tarczy tnącej (niebezpieczeństwo przecięcia).
- Wyrzucanie materiału obrabianego i jego części.
- Złamania tarczy tnącej.
- Wyrzucanie uszkodzonych części tarczy piły.
- Uszkodzenia słuchu w przypadku nie stosowania się do zalecenia noszenia naszynek ochronnych.
- Szkodliwa emisja kurzu z drewna przy użytkowaniu urządzenia w zamkniętych pomieszczeniach.

Prosimy pamiętać o tym, że nasze urządzenia nie są przeznaczone do zastosowania profesjonalnego, rzemieślniczego lub przemysłowego. Nie przejmujemy odpowiedzialności w razie stosowania urządzenia w zakładach rzemieślniczych, przemysłowych lub do podobnych działalności.

6. Bezpieczeństwa

Ogólne wskazówki bezpieczeństwa dla narzędzi elektrycznych

⚠ OSTRZEŻENIE! Należy przeczytać wszystkie wskazówki dotyczące bezpieczeństwa i instrukcje oraz przestudiować wszystkie ilustracje i parametry techniczne dostarczone wraz z niniejszym narzędziem elektrycznym. Nieprzestrzeganie poniższych wskazówek bezpieczeństwa i instrukcji może doprowadzić do porażenia prądem, pożaru i/lub poważnych obrażeń.

Zachować na przyszłość wszystkie wskazówki dotyczące bezpieczeństwa i instrukcje.

Używany we wskazówkach dotyczące bezpieczeństwa termin „narzędzie elektryczne” odnosi się do elektronarzędzi zasilanych z sieci (z przewodem sieciowym) lub do narzędzi elektrycznych zasilanych za pomocą akumulatora (bez przewodu sieciowego).

1. Bezpieczeństwo w miejscu pracy

- **Utrzymywać obszar roboczy w czystości i zapewnić dobre oświetlenie.** Nieporządek lub brak oświetlenia obszaru roboczego może prowadzić do wypadków.
- **Nie pracować z narzędziem elektrycznym w otoczeniu zagrożonym wybuchem, w którym znajdują się palne płyny, gazy lub pyły.** Narzędzia elektryczne wytwarzają iskry, które mogą spowodować zapłon pyłu lub oparów.
- **Nie dopuszczać, by dzieci i inne osoby zbliżyły się podczas używania narzędzia elektrycznego.** W chwili nieuwagi można łatwo stracić kontrolę nad narzędziem elektrycznym.

2. Bezpieczeństwo elektryczne

- **Wtyczka przyłączeniowa narzędzia elektrycznego musi pasować do gniazda. Wtyczki nie wolno w żaden sposób modyfikować. Nie używać żadnych przejściówek z uziemionymi narzędziami elektrycznymi.** Niemodyfikowane wtyczki i odpowiednie gniazda zmniejszają ryzyko porażenia prądem.
- **Unikać kontaktu fizycznego z uziemionymi powierzchniami, takimi jak rury, grzejniki, piece i lodówki.** Ryzyko porażenia prądem zwiększa się, jeśli ciało użytkownika jest uziemione.
- **Nie wystawiać narzędzi elektrycznych na deszcz i wilgoć.** Przedostanie się wody do narzędzia elektrycznego zwiększa ryzyko porażenia prądem.

- **Nie wykorzystywać przewodu przyłączeniowego niezgodnie z przeznaczeniem w celu przenoszenia, zawieszania narzędzia elektrycznego lub w celu wyjęcia wtyczki z gniazda. Przewód przyłączeniowy przechowywać z dala od gorąca, oleju, ostrych krawędzi lub ruchomych części urządzeń.** Uszkodzone lub splątane przewody przyłączeniowe zwiększają ryzyko porażenia prądem.
- **W przypadku pracy z narzędziem elektrycznym na wolnym powietrzu, używać wyłącznie przedłużaczy przeznaczonych również do pracy w warunkach zewnętrznych.** Zastosowanie przedłużacza przystosowanego do warunków wewnętrznych zmniejsza ryzyko porażenia prądem.
- **Jeżeli użycie narzędzia elektrycznego w wilgotnym otoczeniu jest nieuniknione, używać wyłącznika ochronnego różnicowo prądowego.** Zastosowanie wyłącznika ochronnego prądowego zmniejsza ryzyko porażenia prądem.

3. Bezpieczeństwo osób

- **Podczas pracy z narzędziem elektrycznym należy być ostrożnym, zwracać uwagę na wykonywane czynności i zachowywać zdrowy rozsądek. Nie używać narzędzia elektrycznego w stanie zmęczenia lub też będąc pod wpływem narkotyków, alkoholu lub leków.** Chwila nieuwagi podczas używania narzędzia elektrycznego może spowodować poważne obrażenia.
- **Stosować środki ochrony indywidualnej i nosić zawsze okulary ochronne.** Stosowanie środków ochrony indywidualnej, jak maska przeciwpyłowa, antypoślizgowe obuwie ochronne, kask lub naszki ochronne, w zależności od rodzaju i zastosowania narzędzia elektrycznego, zmniejsza ryzyko odniesienia obrażeń.
- **Nie dopuszczać do niezamierzonego uruchomienia. Przed podłączeniem do zasilania i/ lub akumulatora, podnoszeniem lub przeniesieniem upewnić się, że narzędzie elektryczne jest wyłączone.** Trzymanie palca na włączniku podczas przenoszenia narzędzia elektrycznego lub podłączanie włączonego narzędzia elektrycznego do zasilania może prowadzić do wypadków.
- **Przed włączeniem narzędzia elektrycznego usunąć narzędzia nastawcze lub klucze maszynowe płaskie.** Narzędzie lub klucz znajdujące się w obracającej się części narzędzia elektrycznego może prowadzić do powstania obrażeń.
- **Unikać nietypowej pozycji ciała. Zadbaj o stabilną pozycję i zachowanie równowagi w każdej chwili.** Pozwala to na lepszą kontrolę narzędzia elektrycznego w niespodziewanych sytuacjach.
- **Nosić odpowiednią odzież. Podczas pracy nie nosić luźnej odzieży i biżuterii. Włosy i odzież trzymać z dala od części ruchomych.** Luźna odzież, biżuteria lub długie włosy mogą zostać pochwycone przez części ruchome.

- **Jeżeli istnieje możliwość zamontowania urządzeń odsysających i odpylających, należy je podłączyć i prawidłowo używać.** Zastosowanie odsysania pyłu może zmniejszyć zagrożenia spowodowane przez pył.
- **Przestrzegamy przed złudnym poczuciem bezpieczeństwa i ignorowaniem zasad bezpieczeństwa dla elektronarzędzi, również gdy użytkownik w wyniku wielokrotnego użycia jest zaznajomiony z obsługą elektronarzędzia.** Brak czujności może w ułamku sekundy doprowadzić do powstania ciężkich obrażeń.

4. Zastosowanie i obsługa narzędzia elektrycznego

- **Nie przeciążać narzędzia elektrycznego. Używać narzędzia elektrycznego przeznaczonego do danej pracy.** Odpowiednie narzędzie elektryczne umożliwia lepszą i bezpieczniejszą pracę w podanym zakresie mocy.
- **Nie używać narzędzia elektrycznego, którego włącznik jest uszkodzony.** Narzędzie elektryczne, którego nie da się już włączać lub wyłączać, jest niebezpieczne i musi zostać naprawione.
- **Przed rozpoczęciem ustawień, wymianą osprzętu lub odłożeniem elektronarzędzia należy wyjąć wtyczkę z gniazda i/ lub usunąć wyjmowany akumulator.** Ten środek ostrożności ogranicza ryzyko niezamierzonego uruchomienia narzędzia elektrycznego.
- **Nieużywane narzędzia elektryczne przechowywać poza zasięgiem dzieci. Nie zezwalać na używanie narzędzia elektrycznego osobom, które nie są z nim obeznane lub nie przeczytały niniejszych instrukcji.** Narzędzia elektryczne stanowią zagrożenie, jeśli są używane przez niedoświadczonych osoby.
- **Należy dbać o narzędzia elektryczne i osprzęt. Kontrolować, czy części ruchome działają prawidłowo i nie zacinają się, czy części nie są pęknięte lub uszkodzone w sposób wpływający negatywnie na działanie narzędzia elektrycznego. Przed zastosowaniem narzędzia elektrycznego zapewnić naprawę uszkodzonych części.** Wiele wypadków jest spowodowanych nieprawidłową konserwacją narzędzi elektrycznych.
- **Narzędzia tnące muszą być ostre i utrzymywane w stanie czystości.** Starannie konserwowane narzędzia tnące z krawędziami tnącymi rzadziej się zacinają i są łatwiejsze w obsłudze.
- **Używać narzędzi elektrycznych, akcesoriów, narzędzi roboczych itd. zgodnie z niniejszymi instrukcjami. Uwzględnić warunki pracy i wykonywane czynności.** Używanie narzędzia elektrycznego do zastosowań innych, niż przewidziane, może prowadzić do niebezpiecznych sytuacji.
- **Uchwyty i powierzchnie chwytowe utrzymywać w stanie suchym, czystym i wolnym od oleju i smaru.** Śliskie uchwyty i powierzchnie chwytowe nie pozwalają na bezpieczne trzymanie elektronarzędzia i kontrolę nad nim w nieoczekiwanych sytuacjach.

5. Serwis

- a) Naprawę narzędzia elektrycznego może wykonywać wyłącznie wykwalifikowany personel i tylko przy użyciu oryginalnych części zamiennych. Zapewnia to bezpieczeństwo dalszej pracy narzędzia elektrycznego.

Wskazówki bezpieczeństwa dotyczące pilarek do cięcia kąтового i ukośnego

- a) Pilarki do cięcia kąтового i ukośnego są przeznaczone do cięcia drewna lub produktów drewnopodobnych, nie można ich stosować do cięcia materiałów żelaznych takich jak pręty, drążki, śruby itp. Ścierny pył powoduje blokowanie ruchomych części takich jak dolna osłona. Powstające podczas cięcia iskry powodują palenie dolnej osłony, płyty wkładanej i pozostałych elementów z tworzywa sztucznego.
- b) W miarę możliwości zamocować obrabiany przedmiot za pomocą ścisku śrubowego. Jeśli obrabiany przedmiot jest trzymany ręką, należy zawsze trzymać rękę w odległości co najmniej 100 mm od każdej strony tarczy tnącej. Nie stosować pilarki do cięcia elementów, które są zbyt małe, aby je zamocować lub trzymać ręką. Gdy ręka znajduje się zbyt blisko tarczy tnącej, występuje podwyższone ryzyko obrażeń w wyniku kontaktu z tarczą tnącą.
- c) Obrabiany przedmiot musi być nieruchomy - albo solidnie zamocowany, albo dociskany do ogranicznika lub stołu. Nie wsuwać obrabianego przedmiotu w tarczę tnącą i nigdy nie ciąć, trzymając przedmiot w powietrzu. Luźne lub ruszające się przedmioty obrabiane mogą zostać z dużą prędkością wyrzucone i spowodować obrażenia.
- d) Przesuwać pilarkę przez obrabiany przedmiot. Unikać ciągnięcia pilarki przez obrabiany przedmiot. Aby wykonać cięcie, podnieść głowicę pilarki i przeciągnąć ją nad obrabiany element, nie wykonując cięcia. Następnie włączyć silnik, przechylić głowicę pilarki w dół i przesunąć ją przez obrabiany przedmiot. W przypadku cięcia ciągnącego zachodzi niebezpieczeństwo, że tarcza tnąca podejdzie w górę na obrabianym przedmiocie i jednostka tarczy tnącej zostanie nagle gwałtownie wyrzucona w stronę operatora.
- e) Nigdy nie przesuwać ręki po przewidzianej linii cięcia, ani przed, ani za tarczą tnącą. Przytrzymywanie obrabianego przedmiotu „skrzyżowanymi rękoma”, tzn. trzymanie obrabianego przedmiotu lewą ręką z prawej strony obok tarczy tnącej lub odwrotnie, jest bardzo niebezpieczne.
- f) Gdy tarcza tnąca obraca się, nie wkładać rąk za ogranicznik. Zawsze zachowywać bezpieczną odległość minimum 100 mm między dłonią a obracającą się tarczą tnącą (dotyczy to obu stron tarczy, np. podczas usuwania odpadów drewnianych). Odległość obracającej się tarczy tnącej w pobliżu ręki może być ewentualnie nieprawidłowo rozpoznana i grozi to ciężkimi obrażeniami.

- g) Przed cięciem sprawdzić obrabiany przedmiot. Jeśli obrabiany przedmiot jest wygięty lub wykrzywiony, zamocować go stroną wygiętą na zewnątrz do ogranicznika. Zawsze upewnić się, że wzdłuż linii cięcia nie ma żadnej szczeliny między obrabianym przedmiotem, ogranicznikiem i stołem. Wygięte lub wykrzywione przedmioty obrabiane mogą się obrócić lub przemieścić i spowodować zakleszczenie obracającej się tarczy tnącej podczas cięcia. W obrabianym przedmiocie nie może być gwoździ ani żadnych ciał obcych.
- h) Korzystać z pilarki dopiero wtedy, gdy na stole nie ma narzędzi, odpadów drewnianych itp.; na stole może się znajdować tylko obrabiany przedmiot. Małe odpady, luźne kawałki drewna lub inne przedmioty, które zetkną się z obracającą się tarczą, mogą zostać odrzucone z dużą prędkością.
- i) Ciąć zawsze tylko jeden obrabiany przedmiot na raz. Obrabianych elementów ułożonych w stos nie da się odpowiednio zamocować ani unieruchomić i mogą one spowodować zakleszczenie tarczy podczas cięcia.
- j) Przed rozpoczęciem użytkowania ustawić pilarkę do cięcia kąтового i ukośnego na równej, stabilnej powierzchni roboczej. Równa i stabilna powierzchnia robocza zmniejsza ryzyko niestabilności pilarki do cięcia kąтового i ukośnego.
- k) Należy zaplanować pracę. Przy każdym przedstawieniu nachylenia tarczy tnącej lub zmianie kąta uciosu zwrócić uwagę, aby ruchomy ogranicznik był prawidłowo wyregulowany i podpierał obrabiany przedmiot, nie stykając się jednocześnie z tarczą ani osłoną. Należy zasymulować cały ruch cięcia tarczy tnącej bez włączania urządzenia i bez obrabianego przedmiotu na stole, aby upewnić się, że nie będzie żadnych utrudnień oraz że nie dojdzie do nacięcia ogranicznika.
- l) W przypadku obrabianych przedmiotów, które są szersze lub dłuższe niż powierzchnia stołu, należy zadbać o odpowiednie podparcie, np. przez przedłużenie stołu lub koźły do piłowania. Obrabiane przedmioty, które są dłuższe lub szersze niż stół pilarki do cięcia kąтового i ukośnego, mogą przewrócić się, jeśli nie będą odpowiednio podarte. Jeśli odcięty kawałek drewna lub obrabiany przedmiot przewróci się, może to spowodować podniesienie się dolnej osłony i niekontrolowane odrzucenie jej przez obracającą się tarczę.
- m) Nie korzystać z pomocy innych osób zamiast przedłużenia stołu lub dodatkowego podparcia. Niestabilne podparcie obrabianego przedmiotu może doprowadzić do zakleszczenia się tarczy. Również obrabiany przedmiot może się przesunąć podczas cięcia i wciągnąć operatora oraz osobę pomagającą na obracającą się tarczę.
- n) Odcięty fragment nie może zostać dociśnięty do obracającej się tarczy tnącej. Jeśli jest mało miejsca, np. w przypadku stosowania ograniczników wzdłużnych, odcięty fragment może się zaklinować o tarczę i zostać odrzucony z dużą siłą.

- o) Zawsze stosować ścisk śrubowy lub inny odpowiedni przyrząd do prawidłowego mocowania materiałów o przekroju okrągłym, takich jak drążki czy rury.** Drążki podczas cięcia mają tendencję do uciekania, w wyniku czego tarcza może się „wgrzyźć” i obrabiany przedmiot wraz z ręką może zostać wciągnięty na tarczę.
- p) Przed rozpoczęciem cięcia obrabianego przedmiotu poczekać, aż tarcza osiągnie pełną prędkość obrotową.** Zmniejsza to ryzyko wyrzucenia obrabianego przedmiotu do przodu.
- q) Jeśli obrabiany przedmiot zostanie zakleszczony lub tarcza zablokuje się, należy wyłączyć pilarkę. Poczekać, aż wszystkie ruchome części zatrzymają się, odłączyć wtyczkę sieciową i/lub wyjąć akumulator. Następnie usunąć zakleszczony materiał.** Jeśli przy takim zakleszczeniu nadal będzie kontynuowane cięcie, może dojść do utraty kontroli i uszkodzenia pilarki do cięcia kąтового i ukośnego.
- r) Po zakończeniu cięcia puścić przelącznik, przytrzymać głowicę pilarki na dole i przed wyjęciem odciętego kawałka poczekać, aż tarcza zatrzyma się.** Bardzo niebezpieczne jest sięganie ręką w pobliżu zatrzymującej się tarczy.
- s) Należy mocno trzymać uchwyt, gdy wykonywane jest cięcie niepełne lub gdy przelącznik zostanie puszczone, zanim głowica pilarki znajdzie się w swoim dolnym położeniu.** Hamowanie pilarki może spowodować gwałtowne pociągnięcie głowicy pilarki na dół i doprowadzić do powstania obrażeń.

Wskazówki bezpieczeństwa dotyczące postępowania z brzeszczotami pił

1. Nie stosować uszkodzonych lub zdeformowanych brzeszczotów piły.
2. Nie używać brzeszczotów piły posiadających pęknięcia. Brzeszczoty piły posiadające pęknięcia należy wycofać z użytku. Ich naprawa jest niedozwolona.
3. Nie stosować brzeszczotów piły wykonanych ze stali szybko tnącej.
4. Przed przystąpieniem do użytkowania pilarki do cięcia ukośnego i przycinania skontrolować stan tarcz tnących.
5. Stosować wyłącznie brzeszczoty piły odpowiednie do ciętego materiału.
6. Stosować wyłącznie brzeszczoty piły zalecane przez producenta.
Jeżeli brzeszczoty piły są przewidziane do obróbki drewna lub podobnych materiałów, muszą być zgodne z EN 847-1.
7. Nie stosować brzeszczotów piły z wysokostopowej stali szybko tnącej (stali HSS).
8. Używać wyłącznie takich brzeszczotów piły, których maksymalna dopuszczalna prędkość obrotowa nie jest mniejsza niż maksymalna prędkość obrotowa wrzeczona urządzenia i które nadają się do ciętego materiału.
9. Przestrzegać kierunku obrotu brzeszczotu piły.
10. Brzeszczotów piły używać tylko w przypadku znajomości ich obsługi.

11. Przestrzegać maksymalnej prędkości obrotowej. Nie wolno przekraczać maksymalnej prędkości obrotowej podanej na brzeszczocie piły. Przestrzegać zakresu prędkości obrotowej, jeśli jest podany.
12. Oczyszczyć powierzchnie mocowania z zanieczyszczeń, smaru, oleju i wody.
13. Nie stosować żadnych luźnych pierścieni lub tulei redukujących do zmniejszania otworów w brzeszczotach piły.
14. Zwrócić uwagę, by zamocowane pierścienie redukujące, zabezpieczające brzeszczot piły, posiadały tą samą średnicę i minimum 1/3 średnicy cięcia.
15. Upewnić się, że zamocowane pierścienie redukujące są ustawione równolegle względem siebie.
16. Zachować ostrożność podczas obsługi brzeszczotów piły. Najlepiej przechowywać je w oryginalnym opakowaniu lub specjalnych pojemnikach. Nosić rękawice ochronne, aby zwiększyć pewność chwytu i zmniejszyć ryzyko obrażeń.
17. Przed użyciem brzeszczotów piły upewnić się, że wszystkie urządzenia ochronne są prawidłowo zamocowane.
18. Przed rozpoczęciem pracy upewnić się, że stosowany brzeszczot piły odpowiada wymaganiom technicznym niniejszego urządzenia i jest prawidłowo zamocowany.
19. Załączonego brzeszczotu piły używać wyłącznie do prac pilarskich w drewnie, nigdy do obróbki metali.
20. Używać wyłącznie tarczy tnącej o średnicy zgodnej z danymi znajdującymi się na pilarence.
21. Stosować dodatkowe podpory obrabianego przedmiotu, jeśli jest to konieczne dla zapewnienia jego stabilności.
22. Przedłużenia podpory obrabianego przedmiotu muszą być zawsze zamocowane i używane podczas pracy.
23. Zużyta wkładkę stołową należy wymienić!
24. Unikać przegrzewania zębów piły.
25. Podczas cięcia tworzyw sztucznych nie dopuszczać do topienia się tworzywa sztucznego.

W tym celu używać właściwych tarcz tnących. Uszkodzone lub zużyte tarcze tnące należy wymienić w odpowiednim czasie.

Jeśli dojdzie do przegrzania tarczy tnącej, wyłączyć maszynę. Przed wznowieniem pracy poczekać na ostygnięcie tarczy tnącej.



Uwaga: Nie kierować wzroku na wiązkę lasera klasa lasera 2



Proszę podjąć środki bezpieczeństwa dla ochrony własnej i osób przebywających w otoczeniu!

- Nie należy patrzeć bez okularów ochronnych w kierunku wiązki lasera.
- Nigdy nie patrzeć bezpośrednio w strumień lasera.
- Nie kierować wiązki lasera w żadnym razie na powierzchnie odbijające światło, ludzi lub zwierzęta. Promieniowanie laserowe o małej mocy także może spowodować uszkodzenie wzroku.

- Uwaga! W razie postępowania niezgodnego z niniejszą instrukcją obsługi może dojść do niebezpiecznego wystąpienia na działanie promieniowania.
- Nigdy nie otwierać modułu lasera. Może wystąpić nieoczekiwane narażenie na działanie promieniowania.
- Lasera nie wolno zastępować laserami innego typu.
- Prace naprawcze przy laserze mogą być wykonywane wyłącznie przez producenta lub autoryzowanego przedstawiciela.

Ryzyka szcztątkowe

Maszyna została skonstruowana zgodnie z najnowszym stanem techniki i uznanymi zasadami techniki bezpieczeństwa. Jednak podczas wykonywania prac mogą się pojawić poszczególne ryzyka szcztątkowe.

- Zagrożenie zdrowia spowodowane prądem w przypadku stosowania nieprawidłowych elektrycznych przewodów przyłączeniowych.
- Ponadto, pomimo wszelkich podjętych kroków, mogą się pojawić ukryte ryzyka szcztątkowe.
- Ryzyka szcztątkowe można zminimalizować przestrzegając rodzaju „Wskazówki dotyczące bezpieczeństwa” oraz „Użytkowanie zgodne z przeznaczeniem”, jak i całej instrukcji obsługi.
- Nie obciążać niepotrzebnie maszyny: zbyt silny nacisk podczas cięcia może szybciej uszkodzić brzeszczot piły, co prowadzi do obniżenia wydajności maszyny podczas obróbki oraz zmniejsza dokładność cięcia.
- W przypadku cięcia plastikowych materiałów należy zawsze używać zacisków: elementy, które mają zostać poddane piłowaniu muszą zostać zamocowane zaciskami.
- Unikać przypadkowego uruchamiania maszyny: podczas wkładania wtyczki do gniazdka przycisk uruchamiający nie może być wciśnięty.
- Stosować narzędzia zalecane w niniejszym podręczniku. W ten sposób można zagwarantować, że pilarka do cięcia kątowego osiągnie optymalną wydajność.
- Nie zbliżać rąk do obszaru roboczego, gdy maszyna jest uruchomiona.
- Przed podjęciem prac nastawczych lub konserwacyjnych zwolnić przycisk Start i wyciągnąć wtyczkę.

Ostrzeżenie!

Niniejsze narzędzie elektryczne wytwarza podczas pracy pole elektromagnetyczne. Pole to może w pewnych okolicznościach wpływać negatywnie na aktywne lub pasywne implanty medyczne. W celu zmniejszenia ryzyka poważnych lub śmiertelnych obrażeń, osobom z implantami medycznymi przed użyciem narzędzia elektrycznego zalecamy konsultację z lekarzem i producentem.

7. Dane techniczne

| | |
|---|--|
| Silnik..... | 220 - 240 V~ 50 Hz |
| Moc S1 | 1700 Watt |
| Tryb pracy..... | S6 25%* 2000W |
| Liczba obrotów biegu jałowego n ₀ | 4800 min ⁻¹ |
| Tarcza widiowa | ∅ 210 x ∅ 30 x 2,6 mm |
| Liczba zębów | 24 |
| Maksymalna szerokość zęba brzeszczotu piły | 3 mm |
| Zakres przechyłu | -45° / 0° / +45° |
| Cięcie ukośne | 0° do 45° w lewo |
| Szerokość cięcia przy 90° | 340 x 65 mm |
| Szerokość cięcia przy 45° | 240 x 65 mm |
| Szerokość cięcia przy 2 x 45° (Podwójne cięcie ukośne) | 240 x 38 mm |
| Klasa ochrony | II /  |
| Waga..... | ca. 12,15 kg |
| Klasa lasera | 2 |
| Długość fali lasera..... | 650 nm |
| Moc lasera | < 1 mW |

* Rodzaj pracy S6, praca okresowa długotrwała. Eksploatacja składa się z czasu rozruchu, z czasu pracy pod stałym obciążeniem i z czasu biegu jałowego. Czas pracy wynosi 10 min., względny czas uruchomienia wynosi 25% czasu pracy.

Element obrabiany musi posiadać minimalną wysokość wynoszącą 3 mm oraz szerokość wynoszącą 10 mm.

Zwróć uwagę, by element obrabiany był zawsze zabezpieczony uchwytem mocującym.

Hałas

Hałas tej piły został zmierzony zgodnie z EN 62841.

Poziom ciśnienia akustycznego L_{PA} 96,5 dB(A)

Odchylenie K_{PA} 3 dB

Poziom mocy akustycznej L_{WA} 109,5 dB(A)

Odchylenie K_{WA} 3 dB

Zakładać nauszники ochronne.

Hałas może powodować utratę słuchu.

Podane wartości emisji hałasu zostały zmierzone według znormalizowanej metody badań i mogą zostać użyte w celu porównania danego narzędzia elektrycznego z innym.

Podane wartości emisji hałasu mogą zostać wykorzystane również do wykonania tymczasowej oceny obciążenia.

Ostrzeżenie:

- W trakcie rzeczywistego użytkowania narzędzia elektrycznego wartości emisji hałasu mogą różnić się od podanych wartości, w zależności od rodzaju i sposobu zastosowania narzędzia elektrycznego, a w szczególności rodzaju obrabianego przedmiotu.
- Ograniczać obciążenie do minimum. Przykładowe środki zaradcze: ograniczenie czasu pracy. Przy tym należy uwzględnić wszystkie części cyklu eksploatacyjnego (np. czas, w którym narzędzie elektryczne jest wyłączone, oraz czas, w którym narzędzie jest włączone, ale pracuje bez obciążenia).

8. Przed uruchomieniem

- Otworzyć opakowanie i wyjąć ostrożnie urządzenie.
- Usunąć materiał opakowaniowy oraz zabezpieczenia opakowania/transportowe (jeśli występują).
- Sprawdzić, czy zakres dostawy jest kompletny.
- Sprawdzić urządzenie i elementy wyposażenia pod kątem uszkodzeń transportowych.
- W miarę możliwości zachować opakowanie do zakończenia okresu gwarancyjnego.

UWAGA

Urządzenie i materiały opakowaniowe nie mogą służyć jako zabawka dla dzieci! Nie pozwalają dzieciom na zabawę plastikowymi torebkami, foliami lub małymi częściami! Istnieje niebezpieczeństwo połknięcia i uduszenia!

- Maszynę należy ustawić na stabilnym podłożu. Zamontować maszynę na stole roboczym, podstawie lub podobnym urządzeniu. Włożyć 4 śruby (nie zawarte w zakresie dostawy) w otwory w unieruchomionym stole pilarki (15). Dokręcić śruby.
- Odkręcić zainstalowane wstępnie zabezpieczenie przed przechyleniem (36) na spodniej części piły, całkowicie wyciągnąć i zabezpieczyć ponownie z użyciem klucza imbusowego (D).
- Śrubę regulującą (38) ustawić odpowiednio do poziomu płyty stołu, aby zapobiec przechyleniu się maszyny.
- Przed uruchomieniem należy odpowiednio zamontować wszystkie pokrywy oraz urządzenia zabezpieczające.
- Tarcza tnąca musi się swobodnie obracać.
- Zwrócić uwagę na to, czy w obrabianym drewnie nie ma gwoździ, śrub lub innych ciał obcych.
- Przed uruchomieniem przycisku włączania/wyłączania tarcza musi być prawidłowo zamontowana. Części ruchome muszą poruszać się lekko.
- Przed podłączeniem sprawdzić, czy dane na tabliczce znamionowej zgadzają się z danymi sieci.

8.1 Kontrola urządzenia zabezpieczającego ruchomej osłony tarczy tnącej (5)

Osłona tarczy tnącej zabezpiecza przed przypadkowym dotknięciem tarczy tnącej i wyrzucanymi wiórami.

Sprawdzić działanie

W tym celu przechylić pilarkę na dół:

- Osłona tarczy tnącej musi zwolnić tarczę tnącą podczas odchylania na dół, nie dotykając innych elementów.
- Podczas podnoszenia pilarki do pozycji wyjściowej osłona tarczy tnącej musi automatycznie osłonić tarczę tnącą.

9. Montaż

9.1 Montaż piły (rys. 1/2/4)

- W celu regulacji stołu obrotowego (14) poluzować uchwyt (11) o ok. 2 obroty i pociągnąć dźwignię ustalającą (35) palcem wskazującym w górę.
- Obrócić stół obrotowy (14) i wskaźnik (12) do żądanego rozmiaru kąta skali (13) i unieruchomić za pomocą uchwytu (11).

- Lekko nacisnąć głowicę maszyny (4) w dół. Po jednoczesnym wyciągnięciu trzpienia zabezpieczającego (23) z uchwytu silnika, piła zostaje odblokowana z dolnej pozycji.
- Obróć trzpień zabezpieczający (23) 90 stopni, aby zamocować go w pozycji odblokowanej.
- Obrócić głowicę maszyny (4) do góry.
- Przyrząd mocujący (7) można przymocować zarówno z lewej, jak i z prawej strony do stabilnego stołu pilarki (15). Włóż przyrządy mocujące (7) do właściwych otworów z tyłu szyny ogranicznikowej (16) i zabezpiecz je pokrętłami gwiazdowymi (7a). Podczas cięcia pod kątem 0°- 45° przyrząd mocujący (7) należy zamontować tylko jednostronnie (z prawej) (patrz ilustracja 11-12).
- Głowicę maszyny (4) można przechylić w lewo maks. do 45° przez odkręcenie śruby ustalającej (22).
- Podpory obrabianego przedmiotu (8) muszą być zawsze zamocowane i używane podczas pracy. Ustawić żądany występ przez poluzowanie śruby ustalającej (9). Następnie dokręcić ponownie śrubę ustalającą (9).

9.2 Worek na wióry (rys. 1/22)

Piła wyposażona jest w worek na wióry (17).

Ścisnąć metalowe skrzydełka worka na wióry (17), a następnie założyć go na otwór wylotowy przy silniku.

Worek na wióry (17) może być opróżniany poprzez zamek błyskawiczny na jego dolnej stronie.

9.2.1 Podłączanie do zewnętrznego urządzenia odpylającego

- Podłączyć wąż ssący do instalacji odpylającej.
- Urządzenie odsysające musi być przystosowane do obrabianego materiału.
- Do odsysania pyłów szczególnie szkodliwych dla zdrowia lub rakotwórczych należy stosować specjalne urządzenie odsysające.

9.3 Dokładna regulacja ogranicznika dla cięciaątowego 90° (rys. 1/2/5/6)

Wymagane narzędzia::

- Klucz imbusowy 6 mm
- Klucz widlasty SW13 (nieobjęty zakresem dostawy)

• Kątownik nie wchodzi w zakres dostawy.

- Opuścić głowicę maszyny (4) w dół i przymocować sworzniem zabezpieczającym (23).
- Poluzować śrubę ustalającą (22).
- Włóż kątownik ogranicznika (A) między brzeszczot piły (6) i stół obrotowy (14).
- Poluzować nakrętkę zabezpieczającą (26a).
- Śrubę regulacyjną (26) wyregulować w taki sposób, by kąt między brzeszczotem piły (6) i stołem obrotowym (14) wynosił 90°.
- Ponownie dokręcić nakrętkę zabezpieczającą (26a).
- Następnie sprawdzić pozycję wskaźnika kąta. Jeżeli to konieczne, odkręcić wskaźnik (19) za pomocą śrubokręta do wkrętów z rowkiem krzyżowym, ustawić w pozycji 0° na skali kątowej (18) i ponownie dokręcić śrubę mocującą.

9.4 Dokładna regulacja przykładnicy do cięcia kośnego pod kątem 45° (rys. 1/2/5/9/10)

Wymagane narzędzia:

- Klucz imbusowy 6 mm
- Klucz widlasty SW13 (nieobjęty zakresem dostawy)

• Kątownik nie wchodzi w zakres dostawy.

- Opuścić głowicę maszyny (4) w dół i przymocować sworzniem zabezpieczającym (23).
- Zamocować stół obrotowy (14) w pozycji 0°.

Uwaga!

Przesuwana szyna ogranicznika (16a) musi być zamocowana w zewnętrznej pozycji dla wykonywania cięć ukośnych (pochylona głowica tnąca). (**Strona lewa**).

- Otworzyć śruba mocująca (16b) przykładnicy przesuwanej i przesunąć tę przykładnicę na zewnątrz.
- Przesuwne szyny ogranicznika (16a) muszą być zamocowane w taki sposób, aby odstęp pomiędzy szynami ogranicznika (16a) a brzeszczotem piły (6) wynosił minimalnie 8 mm.
- Przesuwana szyna ogranicznika (16a) musi znajdować się w pozycji wewnętrznej (**Strona prawa**).
- Przed cięciem sprawdzić, czy nie dochodzi do kolizji pomiędzy szyną przykładnicy (16a) a tarczą (6).
- Odkręcić śrubę ustalającą (22) i przechylić głowicę maszyny (4) w lewo do 45° za pomocą uchwytu (1).
- Kątownik ogranicznika 45° (B) włożyć między brzeszczot piły (6) i stół obrotowy (14).
- Poluzować nakrętkę zabezpieczającą (27a) i przestawić śrubę regulacyjną (27) w taki sposób, by kąt między tarczą tnącą (6) a stołem obrotowym (14) wynosił dokładnie 45°.
- Ponownie dokręcić nakrętkę zabezpieczającą (27a).
- Następnie sprawdzić pozycję wskaźnika kąta. Jeżeli to konieczne, odkręcić wskaźnik (19) za pomocą śrubokręta do wkrętów z rowkiem krzyżowym, ustawić w pozycji 45° na skali kątowej (18) i ponownie dokręcić śrubę mocującą.

10. Obsługa

10.1 Laser (rys. 18)

- **Włączanie:** Nacisnąć włącznik/wyłącznik lasera (33) 1 raz. Na przedmiocie przeznaczonym do obróbki wyświetlana jest linia lasera, która wskazuje dokładny przebieg cięcia.
- **Wyłączanie:** Ponownie nacisnąć włącznik/wyłącznik lasera (33).

10.2 Ogranicznik głębokości cięcia (piłowanie rowka) (rys. 3/13)

⚠ OSTRZEŻENIE

Niebezpieczeństwo odrzutu! Podczas wykonywania rowków szczególnie ważne jest, aby nie wywierać bocznego nacisku na tarczę tnącą. W przeciwnym razie głowica tnąca może nagle odskoczyć! Podczas produkcji rowków używać przyrządu mocującego. Unikać bocznego nacisku na głowicę tnącą.

- Za pomocą śruby (24) można stopniowo ustawiać głębokość cięcia. Poluznić nakrętkę radełkową na śrubie (24a). Ustawić na zewnątrz ogranicznik głębokości cięcia (25). Głębokość cięcia ustawiać przez wkręcanie lub wykręcanie śruby (24). Następnie z powrotem dokręcić nakrętkę radełkową na śrubie (24).

- Sprawdzić ustawienie za pomocą cięcia próbnego.

10.3 Cięcie seryjne

Ogranicznik długości (37) można otworzyć w przypadku powtarzających się cięć o tej samej długości. Można użyć ogranicznika długości (37) po prawej i lewej stronie.

- Złożyć ogranicznik długości (37) do góry.
- Poluzować śrubę ustalającą wspornika przedmiotu obrabianego (9).
- Wyciągnąć podporę przedmiotu obrabianego (8).
- Ustawić żądany wymiar pomiędzy brzeszczotem piły a ogranicznikiem długości (37).
- Ponownie docisnąć śrubę ustalającą podpory przedmiotu obrabianego (9).
- Wykonać cięcia w sposób opisany w pkt 10.4-10.7.

10.4 Cięcie kątowe 90° i stół obrotowy 0° (rys. 1/2/7)

W przypadku szerokości cięcia do ok. 100 mm funkcję cięgu piły można zablokować w tylnej pozycji za pomocą śruby ustalającej (20). W tej pozycji maszyna może być eksploatowana w trybie cięcia kątowego. Jeżeli szerokość cięcia przekracza 100 mm, należy zwrócić uwagę, by śruba ustalająca (20) była poluzowana i głowica maszyny (4) ruchoma.

Uwaga!

Przesuwne szyny ogranicznika (16a) muszą być zamocowane w wewnętrznej pozycji dla wykonywania przycięć 90°.

- Odkręcić śruby ustalające (16b) przesuwanych szyn ogranicznika (16a) i przestawić przesuwane szyny ogranicznika (16a) do wewnątrz.
- Przesuwne szyny ogranicznika (16a) muszą być zamocowane w taki sposób, aby odstęp pomiędzy szynami ogranicznika (16a) a brzeszczotem piły (6) wynosił maksymalnie 8 mm.
- Przed każdym cięciem sprawdzić, czy pomiędzy szynami ogranicznika (16a) a tarczą tnącą (6) nie dojdzie do kolizji.
- Ponownie dokręcić śruby ustalające (16b).
- Głowicę urządzenia (4) ustawić w pozycji górnej.
- Głowicę urządzenia (4) przesunąć za pomocą uchwytu (1) do tyłu i w razie potrzeby zablokować. (w zależności od szerokości cięcia)
- Przyłożyć drewno do cięcia do szyny przykładnicy (16) i ułożyć na stole obrotowym (14).
- Przymocować materiał szablonem napinającym (7) na stałym stole piły (15), aby uniknąć przesunięcia podczas cięcia.
- Odblokować przetłacznik blokujący (3) i nacisnąć włącznik/wyłącznik (2), aby włączyć silnik.
- **W przypadku zablokowanej prowadnicy suwanej (21):** Za pomocą uchwytu (1) poruszać lekkim naciskiem w dół głowicę maszyny (4), aż tarcza piły (6) przetnie przecinany materiał.
- **W przypadku nie zablokowanej prowadnicy suwanej (21):** Głowicę (4) pociągnąć do przodu. Uchwyt (1) równomiernie, lekkim naciskiem opuścić całkowicie na dół. Teraz głowicę maszyny (4) powoli i równomiernie pchnąć do tyłu, aż tarcza tnąca (6) całkowicie przetnie materiał.
- Po skończeniu pracy należy ponownie głowicę (5) urządzenia ustawić w górnej pozycji spoczynku i zwolnić włącznik/wyłącznik (2).

Uwaga! Dzięki sprężynie zwrotnej urządzenie odbija automatycznie do góry, tzn. po skończonym cięciu nie należy puszczać rękojeści (1), lecz przesunąć powoli i z lekkim naciskiem głowicę urządzenia do góry.

10.5 Cięcie pod kątem 90° oraz stół obrotowy 0° - 45° (rys. 1/7/8)

Za pomocą piły ukośnej można przeprowadzać cięcia ukośne w lewo i prawo pod kątem od 0° - 45° do rzykładnicy.

Uwaga!

Przesuwana szyna przykładnicy (16a) musi być ustawiona na 90° - cięcie ukośne - w pozycji wewnętrznej.

- Odkręcić śruby ustalające (16b) przesuwanych szyn ogranicznika (16a) i przestawić przesuwane szyny ogranicznika (16a) do wewnątrz.
- Przesuwne szyny ogranicznika (16a) muszą być zamocowane w taki sposób, aby odstęp pomiędzy szynami ogranicznika (16a) a brzeszczotem piły (6) wynosił minimalnie 8 mm.
- Przed cięciem sprawdzić, czy nie może dojść do kolizji pomiędzy szyną przykładnicy (16a) a tarczą (6).
- Z powrotem dokręcić śruby mocujące (16b).
- Poluzować rękojeść (11), jeśli jest dokręcona. Pociągnąć dźwignię ustalającą (35) palcem wskazującym do góry. Ustawić żądany kąt na stole obrotowym (14) za pomocą uchwytu (11).
- Wskaźnik (12) na stole obrotowym musi być zgodny z żądanym wymiarem kąta skali (13) na stabilnym stole pilarki (15).
- Ponownie dokręcić śrubę ustalającą (11) i przymocować stół obrotowy (14).
- Wykonać cięcie zgodnie z opisem w punkcie 10.4.

10.6 Cięcie ukośne pod kątem 0° - 45° oraz stół obrotowy na 0° (rys. 1/2/11)

Za pomocą piły ukośnej można przeprowadzać cięcia ukośne w lewo i prawo pod kątem od 0° - 45° do powierzchni roboczej.

Uwaga!

Przesuwana szyna ogranicznika (16a) musi być zamocowana w zewnętrznej pozycji dla wykonywania cięć ukośnych (pochylona głowica tnąca). (**Strona lewa**).

- Otworzyć śruby mocujące (16b) przykładnicy przesuwanej i przesunąć tę przykładnicę na zewnątrz.
- Przesuwne szyny ogranicznika (16a) muszą być zamocowane w taki sposób, aby odstęp pomiędzy szynami ogranicznika (16a) a brzeszczotem piły (6) wynosił minimalnie 8 mm.
- Przesuwana szyna ogranicznika (16a) musi znajdować się w pozycji wewnętrznej (**Strona prawa**).
- Przed cięciem sprawdzić, czy nie dochodzi do kolizji pomiędzy szyną przykładnicy (16a) a tarczą (6).
- Z powrotem dokręcić śruby mocujące (16b).
- Głowicę maszyny (4) ustawić w górnej pozycji.
- Zamocować stół obrotowy (14) w pozycji 0°.
- Odkręcić śrubę ustalającą (22). Przechylić głowicę maszyny (4) w lewo za pomocą uchwytu (1), aż wskaźnik (19) będzie wskazywał żądany rozmiar kąta na skali (18).
- Dokręcić ponownie śrubę ustalającą (22).
- Wykonać cięcie zgodnie z opisem w punkcie 10.4.

10.7 Cięcie ukośne pod kątem 0° - 45° oraz stół obrotowy na 0° - 45° (rys. 1/2/4/12)

Za pomocą piły ukośnej można wykonywać cięcia ukośne w lewo pod kątem 0° - 45° do powierzchni roboczej oraz 0° - 45° w prawo do szyny przykładnicy (podwójne cięcie ukośne).

Uwaga!

Przesuwana szyna ogranicznika (16a) musi być zamocowana w zewnętrznej pozycji dla wykonywania cięć ukośnych (pochylona głowica tnąca). (**Strona lewa**).

- Otworzyć śruby mocujące (16b) przykładnicy przesuwanej i przesunąć tę przykładnicę na zewnątrz.
- Przesuwne szyny ogranicznika (16a) muszą być zamocowane w taki sposób, aby odstęp pomiędzy szynami ogranicznika (16a) a brzeszczotem piły (6) wynosił minimalnie 8 mm.
- Przed cięciem sprawdzić, czy nie dochodzi do kolizji pomiędzy szyną przykładnicy (16a) a tarczą (6).
- Z powrotem dokręcić śruby mocujące (16b).
- Głowicę urządzenia (4) ustawić w pozycji górnej.
- Odkręcić stół obrotowy (14) przez poluzowanie uchwytu (11).
- Za pomocą uchwytu (11) ustawić stół obrotowy (14) pod żądanym kątem (patrz również punkt 10.5).
- Ponownie dokręcić uchwyt (11), by przymocować stół obrotowy.
- Odkręcić śrubę ustalającą (22).
- Za pomocą uchwytu (1) przechylić głowicę maszyny (4) w lewo, do żadanego rozmiaru kąta (patrz również punkt 10.6).
- Dokręcić ponownie śrubę ustalającą (22).
- Wykonać cięcie zgodnie z opisem w punkcie 10.4.

11. Konserwacja

⚠ Ostrzeżenie! Przed rozpoczęciem wszelkich prac związanych z ustawianiem, obsługą techniczną i naprawą wyciągnąć wtyczkę!

11.1 Ogólne czynności konserwacyjne

Od czasu do czasu przecierać maszynę ściereczką, by usunąć wióry i pył. W celu wydłużenia żywotności narzędzia naoliwić elementy obrotowe raz w miesiącu. Nie oliwić silnika.

Nie używać żadnych żrących środków do czyszczenia tworzywa sztucznego.

11.2 Czyszczenie urządzenia zabezpieczającego ruchomej osłony tarczy tnącej (5)

Przed każdym uruchomieniem sprawdzić, czy osłona tarczy tnącej nie jest zanieczyszczona.

Usunąć wióry i małe kawałki drewna korzystając z pędzla lub innego narzędzia o podobnym przeznaczeniu.

11.3 Wymiana wkładki stołowej Niebezpieczeństwo!

W przypadku uszkodzonej wkładki stołowej (10) występuje niebezpieczeństwo zakleszczenia małych przedmiotów pomiędzy wkładką stołową a tarczą tnącą i zablokowania tarczy tnącej. **Uszkodzone wkładki stołowe należy natychmiast wymienić!**

1. Wykręcić śruby przy wkładce stołowej. Ewentualnie obrócić stół obrotowy i przechylić głowicę pilarki, aby dotrzeć do śrub.
2. Zdjąć wkładkę stołową.
3. Włożyć nową wkładkę stołową.
4. Dokręcić śruby przy wkładce stołowej.

11.4 Przegląd szczotek

Szczotki węglowe w nowej maszynie lub nowo zamontowane sprawdzić po 50 roboczogodzinach. Po pierwszej kontroli sprawdzać je co 10 roboczogodzin.

Jeżeli materiał węglowy zostanie zużyty do długości 6 mm, sprężyna lub przewód bocznika przepała się lub ulegną uszkodzeniu, należy wymienić obie szczotki. Jeżeli po wymontowaniu zostanie stwierdzone, że szczotki nadają się do dalszego zastosowania, można je ponownie zamontować.

W celu przeprowadzenia konserwacji szczotek węglowych otworzyć obydwie blokady (zgodnie z rysunkiem 21) w kierunku przeciwnym do ruchu wskazówek zegara. Następnie zdjąć szczotki węglowe.

Złożyć ponownie szczotki węglowe w odwrotnej kolejności.

11.5 Wymiana tarczy tnącej (rys. 1/2/14-17)

Wyciągnąć wtyczkę z gniazdka!

Uwaga!

Do wymiany tarczy używać rękawic ochronnych! Niebezpieczeństwo zranienia!

- Podnieść głowicę maszyny (4) do góry i zablokować sworzniem zabezpieczającym (23).
- Poluzować śrubę mocującą (5a) osłony za pomocą wkrętaka krzyżowego.

WSKAZÓWKA OSTRZEGAWCZA!

Nie wykręcać tej śruby całkowicie.

- Osłonę tarczy tnącej (5) przestawić w górę tak, aby osłona tarczy tnącej (5) znajdowała się nad śrubą kołnierkową (28).
- Jedną ręką nałożyć klucz imbusowy (C) na nakrętkę kołnierkową (28).
- Przytrzymać klucz imbusowy (C) i powoli zamknąć osłonę brzeszczota piły (5), aż będzie ona przylegać do klucza imbusowego (C).
- Mocno wcisnąć blokadę wałka piły (30) i powoli okręcać śrubę kołnierkową (28), zgodnie z ruchem wskazówek zegara. Po maks. 1 obrocie blokada wałka piły zatrzaśnie się (30).
- Teraz, większą siłą należy poluzować śrubę kołnierkową (28) zgodnie z kierunkiem ruchu wskazówek zegara.
- Całkowicie wykręcić śrubę kołnierkową (28) i ściągnąć kołnierz zewnętrzny (29).
- Tarczę piły (6) zdjąć z kołnierza wewnętrznego (31) i wyciągnąć do dołu.
- Śrubę kołnierkową (28), kołnierz zewnętrzny (29) oraz kołnierz wewnętrzny (31) starannie wyczyścić.
- Nową tarczę piły (6) zamontować w odwrotnej kolejności i dokręcić.
- Złożyć osłonę tarczy tnącej (5) w dół, aż osłona tarczy tnącej (5) zawiśnie w śrubie mocującej (5a).
- Dokręcić ponownie śrubę mocującą (5a).

Uwaga!

Nachylenie zębów tarczy piły tzn. kierunek obrotów tarczy piły (6) musi zgadzać się z kierunkiem strzałki na obudowie urządzenia.

- Przed dalszą pracą sprawdzić funkcjonowanie elementów zabezpieczających.

Uwaga!

Po każdej wymianie tarczy sprawdzić, czy tarcza piły obraca się swobodnie we wkładce stołu (10) w pozycji pionowej, jak również przechylona pod kątem 45°.

Uwaga!

Wymiana i wyważanie tarczy piły (6) muszą być wykonane zgodnie z zaleceniami.

11.6 Regulowanie lasera (rys. 19-20)

Jeżeli laser (32) nie pokazuje prawidłowej linii cięcia, można go wyregulować. W tym celu odkręcić śruby (32b) i usunąć przednią osłonę (32a). Poluzować śruby z rowkiem krzyżowym (E) i przesuwając w bok ustawić laser w taki sposób, by promień lasera celował w zęby tarczy tnącej (6).

Po wyregulowaniu i dokręceniu lasera, zamontować przednią osłonę, dokręcając obie śruby (32b) ręcznie.

W celu przeprowadzenia regulacji lasera maszynę należy podłączyć do sieci prądowej.

Uwaga!

Podczas regulacji lasera w żadnym wypadku nie należy uruchamiać włącznika/wyłącznika (2). Niebezpieczeństwo odniesienia obrażeń!

11.7 Informacje serwisowe

Należy wziąć pod uwagę, że następujące części tego produktu podlegają normalnemu podczas eksploatacji lub naturalnemu zużyciu bądź że następujące części konieczne są jako materiały eksploatacyjne.

Części zużywające się*: Szczotki węglowe, tarcza tnąca, wkładka stołowa (nr art. 5901215010), worek na wióry

* nie zawsze wchodzą w zakres dostawy!

12. Transport

- Dokręcić uchwyt (11), aby zablokować stół obrotowy (14).
- Nacisnąć głowicę maszyny (4) na dół i zablokować bolcem zabezpieczającym (23). Piła jest teraz w przestawiona do pozycji dolnej.
- Ustawić funkcję suwania piły za pomocą śruby unieruchamiającej prowadnicę suwaną (20) w tylnej pozycji.
- Urządzenie przenosić za stół piły (15).
- W celu ponownego złożenia urządzenia, postępować zgodnie z punktem 8 i 9.

13. Przechowywanie

Urządzenie i jego wyposażenie przechowywać w miejscu zacienionym, suchym i zabezpieczonym przed mrozem oraz niedostępnym dla dzieci. Optymalna temperatura przechowywania wynosi od 5 do 30°C.

Narzędzie elektryczne przechowywać w oryginalnym opakowaniu.

Przykryć narzędzie elektryczne, by chronić je przed pyłem lub wilgocią.

Zachować instrukcję obsługi urządzenia elektrycznego.

14. Przyłącze elektryczne

Zainstalowany silnik elektryczny jest gotowy do eksploatacji. Przyłącze odpowiada właściwym przepisom VDE (Związek Elektryków Niemieckich) oraz normom DIN. Przyłącze sieciowe udostępniane przez klienta oraz przedłużacz muszą być zgodne z powyższymi przepisami.

- Produkt spełnia wymagania dyrektywy EN 61000-3-11 i podlega szczególnym warunkom przyłączenia. Oznacza to, że zastosowanie w dowolnych, dowolnie wybieranych punktach przyłączeniowych nie jest możliwe.
- W przypadku niekorzystnych warunków sieciowych urządzenie może powodować przejściowe wahania napięcia.
- Produkt jest przewidziany wyłącznie do zastosowania w punktach przyłączeniowych, dla których obowiązują następujące wymagania:
 - a) nie przekraczają maksymalnej dopuszczalnej impedancji sieci „Z” ($Z_{\max} = 0.339 \Omega$).
 - b) posiadają obciążalność sieci prądem ciągłym wynoszącą co najmniej 100 A na fazę.
- Użytkownik musi zapewnić, aby punkt przyłączeniowy, w którym ma być eksploatowany produkt, spełniał jedno z dwóch wyżej wymienionych wymagań a) lub b). W razie potrzeby należy skontaktować się z zakładem energetycznym.

Ważne wskazówki

W przypadku przecięcia silnika wyłącza się on samoczynnie. Po czasie chłodzenia (zróznicowany), silnik można ponownie uruchomić.

Uszkodzone przyłącze elektryczne

Na przewodach elektrycznych powstają często uszkodzenia izolacji.

Przyczyną może być:

- Ściskanie, w przypadku gdy przewody są prowadzone przez okna lub szczeliny w drzwiach.
- Zagięcia, w przypadku nieprawidłowego zamocowania lub prowadzenia przewodów.
- Przecięcia, w przypadku najeżdżania na przewody.
- Uszkodzenia izolacji, w przypadku wyrywania z gniazdka naściennego.
- Pęknięcia, w przypadku starej izolacji.

Uszkodzone przewody elektryczne nie mogą być stosowane i ze względu na uszkodzenie izolacji zagrażają życiu.

Elektryczne przewody należy regularnie kontrolować pod kątem uszkodzeń. Pamiętać, by podczas sprawdzania przewodu nie był on podłączony do sieci elektrycznej.

Przewody elektryczne muszą odpowiadać właściwym przepisom VDE (Związek Elektryków Niemieckich) oraz normom DIN. Stosować wyłącznie przewody elektryczne tym samym oznaczeniem.

Odpowiednia informacja znajduje się na oznaczeniu typu, umieszczonym na przewodzie.

Jeżeli przewód przyłączeniowy do sieci tego urządzenia ulegnie uszkodzeniu, należy go wymienić na specjalny przewód przyłączeniowy, który jest dostępny u producenta lub za pośrednictwem serwisu klienta.

Silnik prądu przemiennego:

Napięcie sieciowe musi wynosić 220 - 240 V~.

- Przedłużacze o długości 25 m muszą posiadać przekrój wynoszący 1,5 milimetra kwadratowego.
- Podłączanie oraz naprawy wyposażenia elektrycznego mogą być przeprowadzane przez wykwalifikowanego elektryka.

W przypadku pytań proszę o podanie następujących danych:

- Rodzaj prądu silnika
- Dane znajdujące się na tabliczce znamionowej silnika

15. Utylizacja i recykling

Podczas transportu, aby zapobiec uszkodzeniu, urządzenie znajduje się w opakowaniu. Opakowanie to jest surowcem, który można użytkować ponownie lub można przeznaczyć do powtórnego przerobu.

Urządzenie oraz jego osprzęt składają się z różnych rodzajów materiałów, jak np. metal i tworzywa sztuczne. Uszkodzone części dostarczyć do punktu utylizacji. Proszę poprosić o informację w sklepie specjalistycznym bądź w placówce samorządu lokalnego.



Opakowanie jest wykonane z materiałów przyjaznych dla środowiska, które można utylizować w miejscowych punktach zajmujących się recyklingiem.

Informacji o możliwościach utylizacji starego urządzenia można zasięgnąć w urzędzie miasta lub gminy.

Zużytego sprzętu nie wolno wyrzucać wraz z odpadami domowymi!



Symbol ten oznacza, że zgodnie z dyrektywą w sprawie zużytego sprzętu elektrycznego i elektronicznego (2012/19/UE) oraz przepisami krajowymi niniejszego produktu nie wolno utylizować wraz z odpadami domowymi. Produkt ten należy przekazać do przeznaczonego do tego celu punktu zbiórki. Można to zrobić np. poprzez zwrot przy zakupie podobnego produktu lub przekazanie do autoryzowanego punktu zbiórki zajmującego się recyklingiem zużytego sprzętu elektrycznego i elektronicznego. Nieprawidłowe obchodzenie się z użytym sprzętem może mieć negatywny wpływ na środowisko i zdrowie ludzkie ze względu na potencjalnie niebezpieczne materiały, które często znajdują się w użytym sprzęcie elektrycznym i elektronicznym. Poprzez prawidłową utylizację tego produktu przyczyniają się Państwo także do efektywnego wykorzystania zasobów naturalnych. Informacje dotyczące punktów zbiórki zużytego sprzętu można otrzymać w urzędzie miasta, od podmiotu publiczno-prawnego zajmującego się utylizacją, autoryzowanej jednostki odpowiedzialnej za utylizację zużytego sprzętu elektrycznego i elektronicznego lub w firmie obsługującej wywóz śmieci w Państwa miejscu zamieszkania.

16. Pomoc dotycząca usterek

| Usterka | Możliwa przyczyna | Pomoc |
|--|---|---|
| Silnik nie działa | Silnik, kabel lub wtyczka uszkodzone, przepalony bezpieczniki | Zlecić sprawdzenie maszyny specjalście. Nigdy nie próbować naprawiać silnika samodzielnie. Zagrożenie! Sprawdzić bezpieczniki, ew. wymienić |
| Silnik uruchamia się powoli i nie osiąga prędkości roboczej. | Napięcie zbyt niskie, zwoje uszkodzone, kondensator przepalony | Zlecić sprawdzenie napięcia przez wykwalifikowanego elektryka. Zlecić sprawdzenie silnika przez specjalistę. Zlecić wymianę kondensatora przez specjalistę |
| Silnik emituje zbyt duży hałas | Zwoje uszkodzone, silnik uszkodzony | Zlecić sprawdzenie silnika przez specjalistę |
| Silnik nie osiąga pełnej mocy. | Obwody prądowe w instalacji sieciowej przeciążone (lampy, inne silniki, itp.) | Nie stosować innych urządzeń lub silników w tym samym obwodzie prądowym |
| Silnik łatwo się przegrzewa. | Przeciążenie silnika, niedostateczne chłodzenie silnika | Zapobiegać przeciążeniu silnika podczas ciecienia, usuwać pył z silnika, w celu zagwarantowania optymalnego chłodzenia silnika |
| Cięcie jest szorstkie lub falowane | Brzeszczot piły tępy, forma zębów nieprawidłowa dla grubości materiału | Naostrzyć brzeszczot piły lub użyć odpowiedniego brzeszczotu |
| Element obrabiany rozrywa się lub rozpryskuje | Docisk cięcia zbyt duży lub brzeszczot nie nadaje się do zastosowania | Włożyć odpowiedni brzeszczot piły |

17. Gwarancja

Droży Klienci,

Wszystkie nasze produkty przechodzą przez rygorystyczną kontrolę jakości, aby zapewnić, że dotrą do Państwa w idealnym stanie. W mało prawdopodobnej sytuacji wystąpienia usterki w Państwa urządzeniu, proszę skontaktować się z naszym działem serwisu pod adresem podanym w niniejszej karcie gwarancyjnej. Oczywiście, jeśli wolelibyście Państwo do nas zadzwonić, jesteśmy również gotowi zaoferować pomoc pod numerem telefonu serwisu wydrukowanym poniżej. Proszę zwrócić uwagę na następujące warunki gwarancyjne, jakich należy przestrzegać w celu zgłaszania roszczeń gwarancyjnych:

- Te warunki gwarancji dotyczą dodatkowych uprawnień gwarancyjnych i w żadnym stopniu nie ograniczają Państwa praw ustawowych. Niniejsza gwarancja jest oferowana bezpłatnie.
- Nasza gwarancja obejmuje jedynie problemy wynikające z wad materiałowych lub wad wykonania i ogranicza się do usunięcia tych wad lub wymiany urządzenia. Proszę zwrócić uwagę, że nasze urządzenia nie są przeznaczone do użytkowania w zastosowaniach komercyjnych, handlowych lub przemysłowych. W związku z powyższym, gwarancja traci ważność, jeśli urządzenie zostanie wykorzystane w zastosowaniach komercyjnych, handlowych lub przemysłowych lub w innych równoważnych zastosowaniach. Gwarancja nie obejmuje również następujących kwestii: odszkodowanie za uszkodzenia w transporcie, uszkodzenia spowodowane nieprzestrzeganiem instrukcji instalacji/montażu lub uszkodzenia spowodowane niefachową instalacją, nieprzestrzeganiem instrukcji obsługi (np. podłączenie do błędnego napięcia lub natężenia sieciowego), błędnym lub nieodpowiednim użytkowaniem (np. przeciążenie urządzenia lub użycie niezatwierdzonych narzędzi lub akcesoriów), nieprzestrzeganiem przepisów konserwacji lub bezpieczeństwa, przedostaniem się ciał obcych do urządzenia (np. piasek, kamienie lub pył), rezultaty użycia siły lub zewnętrznych czynników (np. uszkodzenie spowodowane upuszczeniem urządzenia) i normalne zużycie wynikające z poprawnego użytkowania urządzenia.

Każda próba ingerencji w urządzenie lub jego modyfikacji skutkuje unieważnieniem gwarancji.

- Gwarancja obowiązuje przez 3 lata od dnia zakupu urządzenia. Roszczenia gwarancyjne należy składać przed upływem okresu gwarancji w okresie dwóch tygodni od zauważenia wady. Roszczenia gwarancyjne składane po upływie okresu gwarancji nie będą przyjmowane. Wraz z wymianą urządzenia lub jego części składowych rozpoczyna się ponownie okres gwarancyjny zgodnie z art. 581§1 Kodeksu Cywilnego. Dotyczy to również korzystania z serwisu na miejscu.
- W celu zgłoszenia roszczenia gwarancyjnego należy skorzystać z podanego poniżej adresu serwisu. Jeżeli reklamacja zostanie złożona w okresie objętym gwarancją, udostępniemy Państwu formularz zwrotu, który umożliwi bezpłatne odesłanie uszkodzonego urządzenia. Bardzo pomoże nam jak najbardziej szczegółowe opisanie przez Państwa charakteru problemu. Jeśli wada jest objęta gwarancją, urządzenie zostanie albo niezwłocznie naprawione i przekazane Państwu albo prześlemy Państwu nowe urządzenie.

Oczywiście z przyjemnością oferujemy także usługę odpłatnej naprawy wad, które nie są objęte zakresem niniejszej gwarancji, a także usługi pogwarancyjnej naprawy urządzeń. Aby skorzystać z takich usług, proszę przelać urządzenie na adres naszego serwisu.

Infolinia serwisu (PL):

+800 4003 4003
(0,00 €/Min.)

Adres e-mail (PL):

service.PL@schepbach.com

Adres serwisu (PL):

Arconet Sp. Z o.o
ul.Grobelnego 4
PL - 05-300 Minsk Mazowiecki



Na stronie www.lidl-service.com można pobrać ten oraz wiele innych podręczników, filmów produktowych oraz programów instalacyjnych.

Za pomocą kodu QR przechodzi się bezpośrednio do strony serwisu Lidl (www.lidl-service.com), a po wpisaniu numeru artykułu (IAN) 338493_2007 można pobrać instrukcję obsługi.

| | | |
|-----|--|-----|
| 1. | Vysvetlenie symbolov na prístroji..... | 89 |
| 2. | Úvod | 90 |
| 3. | Popis prístroja (obr. 1-22)..... | 90 |
| 4. | Rozsah dodávky..... | 91 |
| 5. | Správny spôsob použitia | 91 |
| 6. | Bezpečnostné pokyny..... | 91 |
| 7. | Technické údaje..... | 94 |
| 8. | Pred uvedením do prevádzky..... | 95 |
| 9. | Zloženie | 95 |
| 10. | Obsluha | 96 |
| 11. | Údržba..... | 98 |
| 12. | Doprava..... | 99 |
| 13. | Skladovanie..... | 99 |
| 14. | Elektrická prípojka..... | 99 |
| 15. | Likvidácia a recyklácia..... | 99 |
| 16. | Odstraňovanie porúch..... | 100 |
| 17. | Záručný list | 101 |
| 18. | Vyhlásenie o zhode | 131 |

1. Vysvetlenie symbolov na prístroji



SK

Pred uvedením do prevádzky si prečítajte návod na obsluhu a bezpečnostné upozornenia a dodržiavajte ich!



SK

Noste ochranné okuliare!



SK

Noste ochranu sluchu!



SK

Pri tvorbe prachu noste ochranu dýchania!



SK

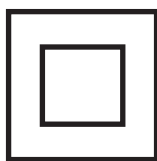
Pozor! Nebezpečenstvo poranenia! Nesiahajte do bežiaceho pílového kotúča!



Achtung! - Laserstrahlung
Nicht in den Strahl blicken!
Laser Klasse 2
Laserspezifikation nach EN 60825-1:2014
λ = 650 nm P_e < 1 mW

SK

Pozor! Laserové žiarenie



SK

Trieda ochrany II (dvojitá izolácia)

2. Úvod

VÝROBCA:

scheppach

Fabrikation von Holzbearbeitungsmaschinen GmbH
Günzburger Straße 69
D-89335 Ichenhausen

VÁŽENÝ ZÁKAZNÍK,

Želáme Vám veľa zábavy a úspechov pri práci s Vaším novým prístrojom.

POZNÁMKA,

V súlade s platnými zákonmi, ktoré sa týkajú zodpovednosti za výrobok, výrobca zariadenia nepreberá zodpovednosť za poškodenia výrobku alebo za škody spôsobené výrobkom, ku ktorým došlo z nasledujúcich dôvodov:

- nesprávnej manipulácie,
- nedodržania pokynov na obsluhu,
- opravy vykonanej treťou stranou, opravy nevykonanej v autorizovanom servise,
- montáže neoriginálnych dielcov alebo použitia neoriginálnych dielcov pri výmene,
- iného než špecifikované použitia,
- poruchy elektrického systému, ktorá bola spôsobená nedodržaním elektrických predpisov a predpisov VDE 0100, DIN 57113, VDE0113.

Odporúčame:

Pred montážou a uvedením do prevádzky si prečítajte celý text návodu na obsluhu.

Tento návod na obsluhu vám má uľahčiť oboznámenie sa s vaším strojom a využitie možností jeho použitia podľa určenia. Návod na obsluhu obsahuje dôležité pokyny a upozornenia, ako bezpečne, odborne a hospodárne pracovať so strojom, a ako zabrániť nebezpečenstvu, ušetriť náklady za opravy, znížiť stratové časy a zvýšiť spoľahlivosť a životnosť stroja.

K bezpečnostným ustanoveniam tohto návodu na obsluhu musíte navyše bezpodmienečne dodržiavať predpisy svojej krajiny, platné pre prevádzku stroja.

Uchovávajte návod na obsluhu pri stroji v ochrannom puzdre, chránený pred nečistotou a vlhkosťou. Každý pracovník obsluhy si ho musí pred začatím práce prečítať a starostlivo dodržiavať.

Na stroji smú pracovať len osoby, ktoré sú poučené v používaní stroja, a informované o nebezpečenstvách s tým spojených. Je nutné dodržiavať vyžadovaný minimálny vek.

Okrem bezpečnostných pokynov v tomto návode na obsluhu a osobitných predpisov vo Vašej krajine, musíte dodržiavať všeobecne uznané technické pravidlá určené na fungovanie prístrojov.

Nepreberáme ručenie za žiadne nehody alebo škody, ktoré vznikli nedodržaním tohto návodu a bezpečnostných upozornení.

3. Popis prístroja (obr. 1-22)

1. Rukoväť
 2. Zapínač/vypínač
 3. Blokovací spínač
 4. Hlava stroja
 5. Pohyblivá ochrana pílového kotúča
 - 5a. Upevňovacia skrutka
 6. Pílový kotúč
 7. Upínacie zariadenie
 - 7a. Hviezdicová skrutka
 8. Podložka pod obrobok
 9. Fixačná skrutka podložky pod obrobok
 10. Vložka stola
 11. Rukoväť/fixačná skrutka otočného stola
 12. Ukazovateľ
 13. Stupnica
 14. Otočný stôl
 15. Pevný stôl píly
 16. Dorazová lišta
 - 16a. Posuvná dorazová lišta e
 - 16b. Fixačná skrutka
 17. Vrečko na zachytávanie pilín
 18. Uholová stupnica
 19. Uholový ukazovateľ
 20. Fixačná skrutka vedenia ťahu
 21. Vedenie ťahu
 22. Fixačná skrutka
 23. Poistný kolík
 24. Skrutka obmedzenia hĺbky rezu
 - 24a. Ryhovaná matica obmedzenia hĺbky rezu
 25. Doraz obmedzenia hĺbky rezu
 26. Nastavovacia skrutka (90°)
 - 26a. Poistná matica (90°)
 27. Nastavovacia skrutka (45°)
 - 27a. Poistná matica (45°)
 28. Prírubová skrutka
 29. Vonkajšia prírubu
 30. Blokované hriadeľa píly
 31. Vnútorňa prírubu
 32. Laser
 - 32a. Kryt laserového telesa
 - 32b. Skrutka s krížovou drážkou
 33. Zapínač/vypínač lasera
 34. Vodiaci strmeň
 35. Páčka so západkami
 36. Sklopná poistka
 37. Dĺžkový doraz
 38. Nastavovacia skrutka
- A.) 90° dorazový uholník (nie je súčasťou dodávky)
B.) 45° dorazový uholník (nie je súčasťou dodávky)
C.) Imbusový kľúč, 6 mm
D.) Imbusový kľúč, 3 mm
E.) Skrutka s krížovou drážkou (laser)

4. Rozsah dodávky

- Skracovacia a pokosová píla
- 2 x upínací prípravok (7)
- 2 x podložka pre obrobok (8) (Vopred zostavenú)
- Záchytné vrečko na piliny (17)
- Imbusový kľúč 6 mm (C)
- Imbusový kľúč 3 mm (D)
- Návod na použitie

5. Správny spôsob použitia

Kapovacia, tesárska a pokosová píla slúži na orezávanie dreva a plastov primerane k veľkosti zariadenia. Píla nie je vhodná na pílenie palivového dreva.

Varovanie!

Zariadenie nepoužívajte na rezanie iných materiálov, než aké sú opísané v návode na obsluhu.

Varovanie!

Dodaný pilový kotúč je určený výlučne na rezanie dreva! Nepoužívajte ho na pílenie palivového dreva!

Prístroj smie byť použitý len na ten účel, na ktorý bol určený. Každé iné odlišné použitie sa považuje za nespĺňajúce účel použitia. Za škody alebo zranenia akéhokoľvek druhu spôsobené nesprávnym používaním ručí používateľ/obsluhujúca osoba, nie však výrobca.

Smú sa používať len pi love kotúče vhodne pre toto zariadenie. Používanie rozbrusovacích kotúčov akéhokoľvek druhu je Zakázané.

Súčasťou správneho účelového použitia prístroja je taktiež dodržiavanie bezpečnostných predpisov, ako aj návodu na montáž a pokynov k prevádzke nachádzajúcich sa v návode na obsluhu.

Osoby, ktoré obsluhujú stroj a vykonávajúcu jeho údržbu, musia byť s ním oboznámené a informované o možných nebezpečenstvách.

Okrem toho sa musia prísne dodržiavať platné bezpečnostné predpisy proti úrazom.

Treba dodržiavať aj ostatné všeobecne predpisy z oblasti pracovnej medicíny a bezpečnostnej techniky.

Zmeny vykonané na stroji celkom anulujú ručenie výrobcu a ručenie za škody takto spôsobené.

Napriek správne účelovému použitiu sa nemôžu niektoré špecifické rizikové faktory celkom vylúčiť. Z dôvodu danej konštrukcie a stavby tohto stroja sa môžu vyskytnúť nasledujúce body:

- Kontakt s pilovým kotúčom v piliacej oblasti, ktorá nie je prikrýta.
- Siahnutie do bežiacieho pilového kotúča (rezne zranenie).
- Spätny uder obrobkov a častí obrobkov.
- Zlomenie pilového kotúča.
- Vymrštenie poškodených tvrdokovových častí pilového kotúča.
- Poškodenie sluchu pri nepoužívaní potrebnej ochrany sluchu.
- Emisie dreveného prachu poškodzujúce zdravie pri používaní v uzatvorených miestnostiach.

Prosím berte ohľad na skutočnosť, že naše prístroje neboli svojím určením konštruované na profesionálne, remeselnícke ani priemyselné použitie. Nepreberáme žiadne záručné ručenie, ak sa prístroj bude používať v profesionálnych, remeselníckych alebo priemyselných prevádzkach ako aj na činnosti rovnocenné s takýmto použitím.

6. Bezpečnostné pokyny

Všeobecné bezpečnostné upozornenia pre elektrické prístroje

⚠ VAROVANIE! Prečítajte si všetky bezpečnostné upozornenia, pokyny, ilustrácie a technické údaje, ktorými je opatrené toto elektrické náradie. Zanedbania pri dodržiavaní nasledujúcich pokynov môžu spôsobiť zásah elektrickým prúdom, požiar a/alebo ťažké poranenia.

Všetky bezpečnostné upozornenia a pokyny uschovajte pre prípad neskoršieho použitia.

Pojem „elektrické náradie“ použitý v bezpečnostných upozorneniach sa vzťahuje na elektrické náradie napájané zo siete (so sieťovým káblom) alebo na elektrické náradie napájané z akumulátora (bez sieťového vedenia).

1. Bezpečnosť pracoviska

- **Pracovný priestor udržiavajte čistý a dobre osvetlený.** Neporiadok a neosvetlené pracovné priestory môžu viesť k úrazom.
- **S elektrickým náradím nepracujte v prostredí ohrozenom výbuchom, v ktorom sa nachádzajú horľavé kvapaliny, plyny alebo prach.** Elektrické prístroje vytvárajú iskry, ktoré môžu zapáliť prach alebo výpary.
- **Deti a iné osoby držte v dostatočnej vzdialenosti od elektrického prístroja počas jeho používania.** Pri nepozornosti môžete stratiť kontrolu nad elektrickým náradím.

2. Elektrická bezpečnosť

- **Pripojovacia zástrčka elektrického prístroja musí pasovať do zásuvky. Zástrčka sa nesmie nijako upravovať.** Nepoužívajte adaptérové zástrčky spolu s uzemnenými elektrickými prístrojmi. Neupravované zástrčky a vhodné zásuvky znižujú riziko zásahu elektrickým prúdom.
- **Vyhýbajte sa telesnému kontaktu s uzemnenými plochami, ako napríklad rúry, vykurovacie zariadenia, sporáky a chladničky.** Keď je vaše telo uzemnené, hrozí zvýšené riziko zásahu elektrickým prúdom.
- **Chráňte elektrické prístroje pred dažďom alebo vlhkosťou.** Vniknutie vody do elektrického náradia zvyšuje riziko zásahu elektrickým prúdom.
- **Nepoužívajte pripájacie vedenie na nosenie či zavesenie elektrického náradia, ani na vytiahnutie zástrčky zo zásuvky. Chráňte pripájacie vedenie pred vysokými teplotami, olejom, ostrými hranami alebo pohybujúcimi sa časťami.** Poškodené alebo zamotané pripájacie vedenia zvyšujú riziko zásahu elektrickým prúdom.

- **Ak s elektrickým náradím pracujete vonku, používajte iba predlžovacie vedenia, ktoré sú vhodné aj pre exteriér.** Používanie predlžovacieho vedenia vhodného pre exteriér znižuje riziko zásahu elektrickým prúdom.
- **Ak sa nedá vyhnúť prevádzke elektrického náradia vo vlhkom prostredí, používajte ochranný vypínač proti chybnému prúdu.** Používanie ochranného spínača proti chybnému prúdu znižuje riziko zásahu elektrickým prúdom.

3. Bezpečnosť osôb

- **Buďte pozorní, dávajte pozor na to, čo robíte, a s elektrickým náradím pracujte rozumne. Elektrické náradie nepoužívajte, ak ste unavení alebo ste pod vplyvom drog, alkoholu či liekov.** Chvilka nepozornosti pri používaní elektrického prístroja môže viesť k vážnym zraneniam.
- **Noste osobné ochranné vybavenie a vždy používajte ochranné okuliare.** Nosenie ochranného vybavenia, ako napríklad protiprachová maska, protišmyková ochranná obuv, ochranná prilba alebo ochrana sluchu, v závislosti od druhu a použitia elektrického prístroja, znižuje riziko zranení.
- **Zabráňte neúmyselnému uvedeniu do prevádzky. Pred zdvihnutím alebo nosením sa uistite, že je elektrické náradie vypnuté, predtým ako ho pripojíte k napájaniu prúdom a/alebo ku akumulátoru.** Ak máte pri prenášaní elektrického náradia prst na vypínači, alebo ak zapnutý elektrický prístroj pripojíte k napájaniu prúdom, môže dôjsť k úrazom.
- **Pred zapnutím elektrického náradia odstráňte nastavovacie nástroje alebo skrutkovače.** Nástroj alebo kľúč, ktorý sa nachádza v otáčajúcej sa časti elektrického náradia, môže viesť k poraneniam.
- **Vyhýbajte sa abnormálnemu držaniu tela. Zaistite si bezpečný postoj a vždy udržiavajte rovnováhu.** Vďaka tomu budete môcť elektrické náradie lepšie kontrolovať pri neočakávaných situáciách.
- **Noste vhodný odev. Nenoste voľný odev ani šperky. Udržiavajte vlasy a odev mimo dosahu pohybujúcich sa dielov.** Voľný odev, šperky či dlhé vlasy môžu zachytiť pohybujúce sa časti.
- **Ak je možné namontovať zariadenia na odsávanie a zachytávanie prachu, musia sa tieto pripojiť a správne používať.** Použitie zariadenia na odsávanie prachu znižuje riziká spôsobené prachom.
- **Nenechajte sa ukolísť falošnou bezpečnosťou a dbajte na bezpečnostné pravidlá pre elektrické náradie, aj keď ste vďaka mnohonásobnému použitiu oboznámení s elektrickým náradím.** Ľahkovážne konanie môže v okamihu viesť k ťažkým poraneniam.

4. Používanie a ošetrovanie elektrického prístroja

- **Elektrické náradie nepreťažujte. Pri práci používajte elektrické náradie určené na daný účel.** Je lepšie a bezpečnejšie pracovať s vhodným elektrickým náradím v udávanom rozsahu výkonu.

- **Nepoužívajte elektrické náradie s chybným vypínačom.** Elektrické náradie, ktoré sa nedá zapnúť alebo vypnúť, je nebezpečné a musí sa opraviť.
- **Skôr ako vykonáte nastavenia prístroja, vymeníte časti vloženého nástroja alebo elektrické náradia odložíte, vytiahnite zástrčku zo zásuvky a/alebo odoberte odnímateľný akumulátor.** Toto bezpečnostné opatrenie zabráni neúmyselnému spusteniu elektrického náradia.
- **Nepoužívané elektrické náradie uchovávajte mimo dosahu detí.** Elektrické náradie nedovoľte používať osobám, ktoré s ním nie sú oboznámené alebo si neprečítali tieto inštrukcie. Elektrické náradie je nebezpečné, ak ho používajú neskúsené osoby.
- **O svoje elektrické náradie a vložený nástroj sa dôkladne starajte. Kontrolujte, či pohybujúce sa časti fungujú bezchybne a či sa nezasekávajú, či diely nie sú zlomené alebo poškodené tak, že to negatívne ovplyvňuje funkciu elektrického náradia. Pred použitím elektrického náradia dajte poškodené diely opraviť.** Príčinou mnohých úrazov je nesprávna údržba elektrických prístrojov.
- **Rezné nástroje udržiavajte ostré a čisté.** Starostlivo udržiavané rezné nástroje s ostrými reznými hranami sa menej zasekávajú a ľahšie sa vedú.
- **Používajte elektrické náradie, príslušenstvo, vložené nástroje atď. podľa týchto pokynov. Zohľadnite pritom pracovné podmienky a vykonávanú činnosť.** Používanie elektrického náradia na iné ako predpísané používanie môže viesť k nebezpečným situáciám.
- **Rukoväte a plochy rukoväti udržiavajte vždy suché, čisté a bez oleja a tuku.** Klzké rukoväti a plochy rukoväti neumožňujú bezpečnú obsluhu a kontrolu elektrického náradia v nepredvídateľných situáciách.

5. Servis

- **Vaše elektrické náradie nechajte opravovať len kvalifikovaným odborným personálom a len s originálnymi náhradnými dielmi.** Tým zaistíte, že bezpečnosť elektrického prístroja zostane zachovaná.

Bezpečnostné upozornenia pre pokosové skracovacie pily

- Pokosové skracovacie pily sú určené na rezanie dreva alebo drevitých výrobkov. Nesmú sa používať na rezanie železných kovov, ako napr. tyče, žrde, skrutky atď.** Abrazívny prach vedie k zablokovaniu pohyblivých dielov, ako napr. ochranného krytu. Iskry z rezania spaľujú spodný ochranný kryt, vkladaciu dosku a plastové diely.
- Zafixujte obrobok podľa možnosti zverákom. Keď obrobok pridriavate rukou, musíte ruku vždy držať vo vzdialenosti najmenej 100 mm od každej strany pilového kotúča. Nepoužívajte túto pílu na rezanie kusov, ktoré sú príliš malé na to, aby sa dali upnúť alebo držať rukou.** Ak máte ruku príliš blízko pilového kotúča, hrozí zvýšené riziko poranenia v dôsledku kontaktu s ťilovým kotúčom.

- c) **Obrobok sa nesmie hýbať a buď sa musí pevne upnúť alebo držať proti dorazu a stolu. Netlačte obrobok do pilového kotúča a nikdy nerežte „voľne od ruky“.** Uvoľnené alebo pohybuje sa obrobky by sa mohli vymrštiť vysokou rýchlosťou a spôsobiť poranenia.
- d) **Potlačte pílu cez obrobok. Nikdy pílu cez obrobok neťahajte. Pre rez zdvihnite hlavu píly a potiahnite ju cez obrobok bez rezania. Potom zapnite motor, otočte hlavu píly nadol a potlačte pílu cez obrobok.** Pri reze ťahaním hrozí nebezpečenstvo, že pilový kotúč vystúpi na obrobok a násilne sa vymrštiť proti operátorovi.
- e) **Nikdy rukou neprekrížte za určenú líniu rezu, pred ani za pilovým kotúčom.** Podopretie obrobku „prekříženými rukami“, t.j. držanie obrobku vpravo vedľa pilového kotúča ľavou rukou alebo naopak, je veľmi nebezpečné.
- f) **Keď pilový kotúč rotuje, nesiahajte za doraz. Vždy udržiavajte bezpečnostnú vzdialenosť 100 mm medzi rukou a rotujúcim pilovým kotúčom (platí na oboch stranách pilového kotúča, napr. pri odstraňovaní dreveného odpadu).** Blízkosť rotujúceho pilového kotúča k vašej ruke nemusíte rozpoznať a môžete sa ťažko zraniť.
- g) **Pred rezaním skontrolujte obrobok. Ak je obrobok ohnutý alebo predĺžený, upnite ho navonok zakrivenou stranou k dorazu. Vždy sa uistite, že pozdĺž línie rezu medzi obrobkom, dorazom a stolom nie je medzera.** Ohnuté alebo predĺžené obrobky sa môžu skrútiť alebo premiestniť a spôsobiť zovretie pilového kotúča pri rezaní. V obrobku nesmú byť klince ani cudzie telesá.
- h) **Pílu použite až vtedy, keď sa na stole nenachádzajú žiadne nástroje, drevený odpad atď. Na stole sa smie nachádzať iba obrobok.** Malé odpady, uvoľnené kusy dreva alebo iné predmety, ktoré sa dostanú do kontaktu s rotujúcim kotúčom, môžu byť vymrštené vysokou rýchlosťou.
- i) **Vždy režte naraz len jeden obrobok.** Viac obrobkov na sebe sa nedá primerane upnúť ani pridržať a pri rezaní môžu spôsobiť zovretie pilového kotúča alebo sa môžu zosunúť.
- j) **Postarajte sa o to, aby pokosová skracovacia píla stála pred použitím na rovnej, pevnej pracovnej ploche.** Rovná a pevná pracovná plocha znižuje nebezpečenstvo nestability pokosovej skracovacej píly.
- k) **Prácu si plánujte. Pri každom prestavení sklonu pilového kotúča alebo pokosového uhla dbajte na to, aby bol predstaviteľný doraz správne nastavený a podopieral obrobok bez toho, aby sa dostal do kontaktu s kotúčom alebo ochranným krytom.** Bez zapnutia stroja a bez obrobku na stole je potrebné simulovať kompletný hlavný rezný pohyb pilového kotúča, aby sa zaistilo, že nedôjde k obmedzeniam alebo nebezpečenstvu zarezania do dorazu.
- l) **Pri obrobkoch, ktoré sú širšie alebo dlhšie ako horná strana stola, sa postarajte o primerané podopretie, napr. predĺženiami stola alebo ko-**

Obrobky, ktoré sú dlhšie alebo širšie ako stôl pokosovej skracovacej píly, sa môžu preklopiť, ak nie sú pevne podopreté. Ak sa preklopí odrezaný kus dreva alebo obrobok, môže zdvihnúť spodný ochranný kryt alebo sa nekontrolovane vymrštiť z rotujúceho kotúča.

- m) **Nevoľajte s iné osoby ako náhradu za predĺženie stola alebo na dodatočné podopretie.** Nestabilné podopretie obrobku môže viesť k zovretiu kotúča. Obrobok sa tiež môže počas rezania posunúť a vťiahnuť vás aj vášho pomocníka do rotujúceho kotúča.
- n) **Odrezaný kus nesmie tlačiť proti rotujúcemu pilovému kotúčom.** Ak je k dispozícii málo miesta, napr. pri použití pozdĺžnych dorazov, sa odrezaný kus môže zakliniť v kotúči a môže byť násilne vymrštený.
- o) **Na riadne podopretie kruhového materiálu, ako sú tyče alebo rúry, vždy používajte zverák alebo vhodný upínací prípravok.** Tyče majú pri rezaní tendenciu sa odkotúľať, čím sa môže kotúč „zahryznúť“ a vťiahnuť obrobok s vašou rukou do kotúča.
- p) **Pred rezaním obrobku nechajte kotúč dosiahnuť maximálne otáčky.** To znižuje riziko vymrštenia obrobku.
- q) **Ak je obrobok zaseknutý alebo kotúč zablokovaný, vypnite pokosovú skracovaciu pílu. Počkajte, kým sa zastavia všetky pohyblivé diely, vytiahnite sieťovú zástrčku a/alebo vyberte akumulátor. Následne odstráňte zaseknutý materiál.** Ak by ste pri takomto blokování rezali ďalej, mohlo by dôjsť k strate kontroly alebo poškodeniam pokosovej skracovacej píly.
- r) **Po ukončení rezu pustite spínač, držte hlavu píly otočenú nadol a počkajte, kým sa zastaví kotúč. Až potom odstráňte odrezaný kus.** Je veľmi nebezpečné siahť rukou do blízkosti dobiehajúceho kotúča.
- s) **Pevne držte rukoväť, keď robíte nekompletný rez pílou alebo keď pustíte spínač skôr, ako hlava píly dosiahne svoju dolnú polohu.** V dôsledku brzdného účinku píly sa môže hlava píly trhavým pohybom potiahnuť nadol, čo vedie k riziku poranenia.

Bezpečnostné upozornenia pre manipuláciu s pilovými kotúčmi

1. Nepoužívajte poškodené ani zdeformované pilové kotúče.
2. Nepoužívajte pilové kotúče s trhlinami. Prasknuté pilové kotúče vyradte. Oprava nie je povolená.
3. Nepoužívajte pilového kotúče vyhotovené z rýchloreznej ocele.
4. Pred použitím skracovacej a dvojručnej píly skontrolujte stav pilových kotúčov.
5. Používajte výhradne pilové kotúče, ktoré sú vhodné pre materiál, ktorý sa má rezať.
6. Používajte iba pilové kotúče stanovené výrobcom. Ak sú pilové kotúče určené na obrábanie dreva alebo podobných materiálov, musia zodpovedať norme EN 847-1.
7. Nepoužívajte pilové kotúče z vysokolegovanej rýchloreznej ocele (HSS).

8. Používajte iba pílové kotúče, ktorých najvyššie povolené otáčky nie sú nižšie ako maximálne otáčky zariadenia a také, ktoré sú vhodné na rezanie materiálu.
9. Dávajte pozor na smer otáčania pílového kotúča.
10. Používajte iba pílové kotúče, s ktorými viete manipulovať.
11. Dodržiavajte najvyššie otáčky. Najvyššie otáčky uvedené na pílovom kotúči sa nesmú prekročiť. Ak je to uvedené, dodržiavajte rozsah otáčok.
12. Upínacie plochy zbavte nečistôt, tuku, oleja a vody.
13. Nepoužívajte redukčné krúžky ani puzdrá na zmenšenie otvorov pri pílových kotúčoch.
14. Dbajte na to, aby fixované redukčné krúžky na zaistenie pílového kotúča mali rovnaký priemer a minimálne 1/3 rezného priemeru.
15. Uistite sa, že fixované redukčné krúžky sú navzájom paralelné.
16. S pílovými kotúčmi manipulujte s opatrnosťou. Skladujte ich v originálnom obale alebo v špeciálnych puzdách. Na zlepšenie bezpečného uchopenia a zníženie nebezpečenstva poranenia noste ochranné rukavice.
17. Pred použitím pílových kotúčov sa uistite, že všetky ochranné zariadenia boli upevnené v súlade s predpismi.
18. Pred použitím sa uistite, že vami používaný pílový kotúč zodpovedá technickým požiadavkám tohto zariadenia a je upevnený v súlade s predpismi.
19. Dodaný pílový kotúč používajte iba na rezanie do dreva, nikdy na obrábanie kovov.
20. Používajte iba pílový kotúč s priemerom podľa údajov na pile.
21. Prídavné podložky pod obrobok používajte, len ak je to nutné pre stabilitu obrobku.
22. Predĺženia podložky pod obrobok sa musia počas práce vždy upevniť a použiť.
23. Vymeňte opotrebovanú vložku stola!
24. Vyvarujte sa prehriatiu pílových zubov.
25. Pri pílení plastov sa vyvarujte ich roztaveniu.
 Za týmto účelom používajte správne pílové kotúče. Poškodené alebo opotrebované pílové kotúče včas vymeňte.
 Keď sa pílový kotúč prehreje, zastavte stroj. Skôr než začnete so strojom opäť pracovať, nechajte pílový kotúč najskôr vychladnúť.



Pozor: Laserové žiarenie
Nepozerať sa priamo do lúča
Trieda laseru 2



Chránite seba a Vaše okolie vhodnými bezpečnostnými opatreniami pred rizikami vzniku nehody!

- Nepozerajte sa priamo nechránenými očami na laserový lúč.
- Nepozerať sa v žiadnom prípade priamo do lúča.
- V žiadnom prípade nesmerovať laserový lúč na reflektujúce plochy, na osoby alebo na zvierata. Aj laserový lúč s nízkym výkonom môže spôsobiť vážne poškodenie zraku.
- Pozor - ak sa budú používať ine pracovne postupy ako sú uvedené v tomto návode, môže to viesť k vystaveniu sa nebezpečnému žiareniu.
- Nikdy neatvarajte laserový modul. Nečakane by mohlo dôjsť k expozícii žiarenia.

- Laser sa nesmie vymeniť za laser iného typu.
- Opravy na laseri smie vykonať iba výrobca lasera alebo autorizovaný zástupca.

Zostatkové riziká

Stroj je skonštruovaný podľa stavu techniky a prijatých bezpečnostno-technických pravidiel. Napriek tomu sa môžu pri práci vyskytnúť jednotlivé zostatkové riziká.

- Ohrozenie zdravia prúdom pri použití elektrických prípojných vedení v rozpore s určením.
- Napriek všetkým prijatým opatreniam môžu pretrvávajúť zostatkové riziká, ktoré nie sú očividné.
- Zvyškové riziká je možné minimalizovať, ak sa dodržiavajú „bezpečnostné upozornenia“ a „použitie v súlade s určením“, ako aj návod na obsluhu.
- Stroj zbytočne nezaťažujte príliš veľkým tlakom pri rezaní rýchlo poškodzuje pílový kotúč, čo môže viesť k zníženiu výkonu stroja pri obrábaní a k nepresnostiam rezu.
- Pri rezaní plastového materiálu vždy používajte svorky: diely, ktoré sa majú rezať, musia byť vždy zafixované medzi svorkami.
- Vyhybajte sa náhodným uvedeniam stroja do prevádzky: pri zasunutí zástrčky do zásuvky sa nesmie stlačiť tlačidlo prevádzky.
- Používajte nástroj, ktorý sa odporúča v tejto príručke. Tak dosiahnete, že skracovacia píla dosiahne optimálne výkony.
- Nikdy nevkladajte ruky do pracovnej oblasti, keď je stroj v prevádzke.
- Pred vykonaním nastavovacích alebo údržbových prác uvoľnite tlačidlo Štart a vytiahnite sieťovú zástrčku.

Varovanie!

Tento elektrický prístroj vytvára počas prevádzky elektromagnetické pole. Toto pole môže za určitých okolností ovplyvniť aktívne alebo pasívne implantáty. Na zníženie nebezpečenstva závažných alebo smrteľných poranení odporúčame osobám s implantátmi prekonzultovať situáciu so svojím lekárom a výrobcom implantátu ešte predtým, ako začnú obsluhovať elektrický prístroj.

7. Technické údaje

| | |
|---|------------------------|
| Motor na striedavý prúd..... | 220 - 240 V~ 50 Hz |
| Výkon S1..... | 1700 Watt |
| Pracovný režim..... | S6 25%* 2000W |
| Otáčky pri voľnobehu n ₀ | 4800 min ⁻¹ |
| Pílový kotúč zo spekaného karbidu..... | ∅ 210 x ∅ 30 x 2,6 mm |
| Počet pílových zubov..... | 24 |
| Maximálna šírka zubov pílového kotúča..... | 3 mm |
| Dosah otáčavosti..... | -45° / 0° / +45° |
| Šikmý rez..... | 0° až 45° doľava |
| Šírka rezu pri 90°..... | 340 x 65 mm |
| Šírka rezu pri 45°..... | 240 x 65 mm |
| Šírka rezu pri 2 x 45° (dvojitý šikmý rez)..... | 240 x 38 mm |
| Trieda ochrany..... | II / Ⓜ |
| Hmotnosť..... | ca. 12,15 kg |
| Trieda laseru..... | 2 |
| Vlnová dĺžka laseru..... | 650 nm |
| Výkon laseru..... | < 1 mW |

* Typ prevádzky S6, neprerušená periodická prevádzka. Prevádzka sa skladá z času nábehu, času s konštantným zaťažením a času chodu naprázdno. Trvanie cyklu predstavuje 10 minút, relatívna doba spínania predstavuje 25 % trvania cyklu.

Obrobok musí byť vysoký minimálne 3 mm a široký 10 mm.

Prihliadajte na to, aby bol obrobok vždy zaistený upínacím zariadením.

Zvuk

Hluk tejto píly bol určený podľa smernice EN 62841.

Hladina akustického tlaku L_{pA} 96,5 dB(A)

Nepresnosť K_{pA} 3 dB

Hladina akustického výkonu L_{WA} 109,5 dB(A)

Nepresnosť K_{WA} 3 dB

Noste ochranu sluchu.

Vplyv hluku môže spôsobiť stratu sluchu.

Uvedené hodnoty emisií hluku boli merané podľa normovanej skúšobnej metódy a môže sa použiť na porovnanie elektrického prístroja s iným zariadením.

Uvedené hodnoty emisií hluku sa môže použiť aj na predbežný odhad zaťaženia.

Varovanie:

- Emisie hluku sa môže počas skutočného používania elektrického prístroja odlišovať od uvedených hodnôt v závislosti od druhu a spôsobu použitia elektrického prístroja, predovšetkým, aký druh obrobku sa obrába.
- Zaťaženie sa snažte udržať podľa možností čo najnižšie. Príkladné opatrenia na obmedzenie pracovnej doby. Prítom sa musia zohľadniť všetky časti prevádzkového cyklu (napríklad časy, keď je elektrický prístroj vypnutý, a časy, počas ktorých je síce zapnutý, no beží bez zaťaženia).

8. Pred uvedením do prevádzky

- Otvorte obal a opatrne vyberte prístroj.
- Odstráňte obalový materiál, ako aj obalové a prepravné poistky (ak sú použité).
- Skontrolujte, či je rozsah dodávky kompletný.
- Prístroj a diely príslušenstva skontrolujte ohľadom poškodení spôsobených prepravou.
- Obal podľa možnosti uschovajte až do uplynutia záručnej doby.

POZOR

Prístroj a obalové materiály nie sú hračkami pre deti! Deti sa nesmú hrať s plastovými vreckami, fóliami ani drobnými súčiastkami! Vzniká nebezpečenstvo prehltnutia a udusení!

- Stroj musí byť vždy namontovaný v stabilnej polohe. Upevnite stroj na pracovný stôl, podstavec alebo niečo podobné. Zasuňte 4 skrutky (nie sú v rozsahu dodávky) do vrtaní na pevnom stole píly (15). Pevne utiahnite skrutky.
- Úplne vytiahnite predinštalovanú sklopnú poistku (36) na spodnej strane píly a znova ju zaistíte pomocou imbusového kľúča (D).

- Nastavte nastavovaciu skrutku (38) na úroveň dosky stola, aby ste zabránili kolísaniu stroja.
- Pred uvedením do prevádzky sa musia všetky kryty a bezpečnostné prípravky správne namontovať.
- Pílový kotúč musí môcť voľne bežať.
- Pri dreve, ktoré už bolo opracované, je potrebné dbať na cudzie telesá ako napr. klince alebo skrutky atď.
- Pred stlačením vypínača zap/vyp musí byť pílový kotúč správne namontovaný. Pohyblivé diely musia mať ľahký chod.
- Pred zapojením skontrolovať, či sú všetky údaje na dátovom štítku v súlade s údajmi elektrickej siete.

8.1 Kontrola bezpečnostného zariadenia – pohyblivý chránič pílového kotúča (5)

Chránič pílového kotúča chráni pred náhodným dotykom pílového kotúča a pred odletujúcimi trieskami.

Skontrolujte funkciu

Za týmto účelom sklopte pílu nadol:

- Chránič pílového kotúča musí pri sklopení nadol uvoľniť pílový kotúč bez toho, aby sa dotýkal iných dielov.
- Pri vyklopení píly nahor do východiskovej polohy musí chránič pílového kotúča automaticky zakryť pílový kotúč.

9. Zloženie

9.1 Zloženie píly (obr. 1/2/4)

- Na prestavenie otočného stola (14) uvoľnite rukoväť (11) o cca 2 otáčky a potiahnite páčku so západkami (35) ukazovák nahor.
- Otočný stôl (14) a ukazovateľ (12) otočte na požadovaný uhlový rozmer stupnice (13) a zafixujte rukoväťou (11).
- Zľahka stlačte hlavu stroja (4) smerom nadol. Súčasným vytiahnutím a pootočením poistného kolíka (23) z držiaka motora sa píla odistí z dolnej polohy.
- Poistný kolík (23) otočte o 90 stupňov na jeho zafixovanie v odistenej polohe.
- Otočte hlavu stroja (4) nahor.
- Upínacie zariadenie (7) je možné upevniť nielen vľavo, ale aj vpravo na pevný stôl píly (15). Zasuňte upínacie prípravky (7) do určených otvorov na zadnej stene dorazovej lišty (16) a zaistite ich skrutkami s hviezdicovým úchopom (7a). Pri pokosových rezoch 0° - 45° sa musí upínací prípravok (7) namontovať len na jednej strane (vpravo) (pozri obrázky 11-12).
- Hlavu stroja (4) je možné uvoľnením fixačnej skrutky (22) nakloniť doľava do max. 45°.
- Podložky pod obrobok (8) sa musia počas práce vždy upevniť a použiť. Povoľením zaisťovacej skrutky (9) nastavte požadované prečnievanie. Potom znovu utiahnite zaisťovaciu skrutku (9).

9.2 Vrečko na zachytávanie pilín (obr. 1/2/2)

Píla je vybavená záchytným vreckom na piliny (17).

Stlačte krídla kovového krúžku vreca na zachytávanie pilín (17) a namontujte ho na vypúšťací otvor v oblasti motora.

Vrečko na piliny (17) je možné vyprázdniť po otvorení zipsu na jeho spodnej strane.

9.2.1 Pripojenie k externému odprašovaciemu zariadeniu

- Pripojte saciu hadicu k odprašovaciemu zariadeniu.
- Odsávacie zariadenie musí byť vhodné pre obrábaný materiál.
- Na odsávanie obzvlášť zdraviu škodlivého alebo karcinogénneho prachu používajte špeciálne odsávacie zariadenie.

9.3 Jemné nastavenie dorazu pre 90° skracovací rez (obr. 1/2/5/6)

Potrebné náradie:

- Imbusový kľúč 6 mm
- Vidlicový kľúč SW13 (nie je súčasťou dodávky)

- **Dorazový uholník nie je v objeme dodávky.**
- Hlavu stroja (4) spustíte nadol a zafixujete poistným kolíkom (23).
- Uvoľnite fixačnú skrutku (22).
- Medzi pilový kotúč (6) a otočný stôl (14) priložte príložený uholník (A).
- Uvoľnite poistnú maticu (26a).
- Nastavovaciú skrutku (26) prestavujte dovtedy, kým nebude mať uhol medzi pilovým kotúčom (6) a otočným stolom (14) 90°.
- Opäť pevne utiahnite poistnú maticu (26a).
- Nakoniec skontrolujte polohu ukazovateľa uhla. V prípade potreby ukazovateľ (19) uvoľnite skrutkovačom na skrutky s krížovou drážkou, nastavte na polohu 0° uhlovej stupnice (18) a opäť pevne utiahnite pridržiavaciu skrutku.

9.4 Jemné doladenie nastavenia dorazu pre šikmý rez 45° (obr. 1/2/5/9/10)

Potrebné náradie:

- Imbusový kľúč 6 mm
- Vidlicový kľúč SW13 (nie je súčasťou dodávky)

- **Dorazový uholník nie je v objeme dodávky.**
- Hlavu stroja (4) spustíte nadol a zafixujete poistným kolíkom (23).
- Otočný stôl (14) zafixujete v polohe 0°.

Pozor!

Posuvná dorazová lišta (16a) sa musí pre úkosové rezy (naklonená hlava píly) zafixovať vo vonkajšej polohe. (**Ľavá strana**).

- Otvorte fixačnú skrutku (16b) posuvnej dorazovej lišty (16a) a vytlačte posuvnú dorazovú lištu (16a) von.
- Posuvné dorazové lišty (16a) sa musia zaaretovať tak, aby bola vzdialenosť medzi dorazovými lištami (16a) a pilovým kotúčom (6) minimálne 8 mm.
- Posuvná dorazová lišta (16a) sa musí nachádzať vo vnútornej polohe (**Pravá strana**).
- Pred rezom skontrolujte, či nie je medzi dorazovou koľajničkou (16a) a pilovým kotúčom (6) možná kolízia.
- Uvoľnite fixačnú skrutku (22) a rukoväťou (1) nakloňte hlavu stroja (4) doľava, do 45°.
- Medzi pilový kotúč (6) a otočný stôl (14) priložte 45° príložený uholník (B).
- Uvoľnite poistnú maticu (27a) a nastavovaciú skrutku (27) prestavujte dovtedy, kým uhol medzi pilovým kotúčom (6) a otočným stolom (14) nebude mať hodnotu presne 45°.
- Opäť pevne utiahnite poistnú maticu (27a).

- Nakoniec skontrolujte polohu ukazovateľa uhla. V prípade potreby ukazovateľ (19) uvoľnite skrutkovačom na skrutky s krížovou drážkou, nastavte na polohu 45° uhlovej stupnice (18) a opäť pevne utiahnite pridržiavaciu skrutku.

10. Obsluha

10.1 Prevádzka lasera (obr. 18)

- **Zapnutie:** zapínač/vypínač lasera (33) stlačte 1x. Na obrábaný obrobok sa premietne laserová čiara, ktorá zobrazuje presné vedenie rezu.
- **Vypnutie:** znova stlačte zapínač/vypínač lasera (33).

10.2 Obmedzenie hĺbky rezu (pílenie drážky) (obr. 3/13)

⚠ VAROVANIE

Nebezpečenstvo spätného nárazu! Pri zhotovení drážky je mimoriadne dôležité, aby sa na pilový kotúč nevyvíjal bočný tlak. V opačnom prípade sa môže hlava píly náhle vymrštiť nahor! Pri zhotovení drážok nepoužívajte upínacie zariadenie. Vyvarujte sa bočného tlaku na hlavu píly.

- Pomocou skrutky (24) sa môže plynulo nastaviť hĺbka rezu. Za týmto účelom uvoľníť ryhovanú maticu na skrutke (24). Doraz pre obmedzenie hĺbky rezu (24) postaví smerom von. Nastaviť požadovanú hĺbku rezu uťahovaním alebo povoľovaním skrutky (24a). Následne znova dotiahnuť ryhovanú maticu na skrutke (24).
- Skontrolujte nastavenie pomocou skúšobného rezu.

10.3 Sériový rez

Pre opakované rezy s rovnakou dĺžkou je možné vyklopiť dĺžkový doraz (37). Dĺžkový doraz (37) môžete použiť na pravej a ľavej strane..

- Vyklopte dĺžkový doraz (37) smerom nahor.
- Povoľte fixačné skrutky pre podložku pod obrobok (9).
- Vytiahnite podložku pod obrobok (8).
- Nastavte požadovaný rozmer medzi pilovým kotúčom a dĺžkovým dorazom (37).
- Znova pevne utiahnite fixačnú skrutku pre podložku pod obrobok (9).
- Vykonaajte rezy podľa 10.4 až 10.7.

10.4 Skracovací rez 90° a otočný stôl 0° (obr. 1/2/7)

Pri šírkach rezov do cca 100 mm je možné funkciu ťahania píly zafixovať fixačnou skrutkou (20) v zadnej polohe. V tejto polohe je možné stroj prevádzkovať v skracovacej prevádzke. Ak by sa šírka rezu nachádzala nad 100 mm, musí sa dbať na to, aby bola fixačná skrutka (20) voľná a hlava stroja (4) pohyblivá.

Pozor!

Posuvné dorazové lišty (16a) sa musia pre 90° skracovacie rezy zafixovať vo vnútornej polohe.

- Otvorte fixačné skrutky (16b) posuvných dorazových lišt (16a) a posuvné dorazové lišty (16a) posuňte dovnútra.
- Posuvné dorazové lišty (16a) sa musia zaaretovať tak ďaleko pred najvnútornejšou polohou, aby bola vzdialenosť medzi dorazovými lištami (16a) a pilovým kotúčom (6) maximálne 8 mm.

- Pred rezom skontrolujte, či nie je medzi dorazovými lištami (16a) a pílovým kotúčom (6) možná kolízia.
- Opäť utiahnite fixačné skrutky (16b).
- Uviesť hlavu prístroja (4) do hornej polohy.
- Hlavu prístroja (4) posunúť pomocou rukoväte (1) dozadu a v prípade potreby ju v tejto polohe zafixovať (v závislosti od šírky rezu).
- Rezané drevo položiť na dorazovú lištu (16) a na otočný stôl (14).
- Materiál upevniť pomocou upínacieho prípravku (7) na pevne stojacom pílovom stole (15), aby sa tak zabránilo posuvaniu obrobku počas rezacieho procesu.
- Odblokujte blokovací spínač (3) a stlačte zapínač/vypínač (2), aby ste zapli motor.
- **Pri zafixovanom ľahovom vedení (21):** Hlavu prístroja (4) rovnomerne a s ľahkým tlakom posúvať pomocou rukoväte (1) smerom nadol, kým pílový kotúč (6) neprereže obrobok.
- **Pri nezafixovanom ľahovom vedení (21):** Potiahnuť hlavu prístroja (4) celkom dopredu. Rukoväť (1) rovnomerne a ľahkým tlakom spustiť celkom nadol. Teraz hlavu prístroja (4) pomaly a rovnomerne posunúť celkom dozadu, kým pílový kotúč (6) úplne neprereže obrobok.
- Po skončení procesu rezania uviesť hlavu prístroja späť do hornej pokojovej polohy a pustiť vypínač zap/vyp (2).
Pozor! Keďže vratná pružina vracia prístroj automaticky späť nahor, nepúšťať rukoväť (1) hneď po skončení rezania, ale pohybovať hlavou prístroja pomaly a s ľahkým protitlakom smerom nahor.

10.5 Kapovací rez 90° a otočný stôl 0°-45° (obr. 1/7/8)

Pomocou kapovacej píly je možné vykonávať kapovacie rezy 0°-45° smerom doľava a 0°-45° doprava voči dorazovej lište.

Pozor!

Posuvná dorazová koľajnička (16a) sa musí pre 90° skracovacie rezy zafixovať vo vnútornej polohe.

- Otvorte fixačnú skrutku (16b) posuvnej dorazovej koľajničky (16a) a posuvnú dorazovú koľajničku (16a) posuňte dovnútra.
- Posuvné dorazové lišty (16a) sa musia zaaretovať tak, aby bola vzdialenosť medzi dorazovými lištami (16a) a pílovým kotúčom (6) minimálne 8 mm.
- Pred rezom skontrolujte, či nie je medzi dorazovými lištami (16a) a pílovým kotúčom (6) možná kolízia.
- Opäť utiahnite fixačnú skrutku (16b).
- Uvoľnite rukoväť (11), ak je pevne zaskrutkovaná. Páčku so západkami (35) potiahnite ukazovák nahor. Nastavte otočný stôl (14) pomocou rukoväte (11) na požadovaný uhol.
- Ukazovateľ (12) na otočnom stole sa musí zhodovať s požadovaným uhlovým rozmerom stupnice (13) na pevnom stole píly (15).
- Rukoväťou (11) nastavte otočný stôl (14) na požadovaný uhol.
- Rez vykonajte podľa opisu v bode 10.4.

10.6 Šikmý rez 0° - 45° a otočný stôl 0° (obr. 1/2/11)

Pomocou kapovacej píly je možné vykonávať šikmé rezy smerom doľava pod uhlom 0°-45° ku pracovnej ploche.

Pozor!

Posuvná dorazová lišta (16a) sa musí pre úkosové rezy (naklonená hlava píly) zafixovať vo vonkajšej polohe. **(Ľavá strana).**

- Otvorte fixačnú skrutku (16b) posuvnej dorazovej lišty (16a) a vytlačte posuvnú dorazovú lištu (16a) von.
- Posuvné dorazové lišty (16a) sa musia zaaretovať tak, aby bola vzdialenosť medzi dorazovými lištami (16a) a pílovým kotúčom (6) minimálne 8 mm.
- **Pravá strana** posuvných dorazových lišt (16a) sa musí nachádzať vo vnútornej polohe.
- Pred rezom skontrolujte, či nie je medzi dorazovou koľajničkou (16a) a pílovým kotúčom (6) možná kolízia.
- Opäť utiahnite fixačnú skrutku (16b).
- Hlavu stroja (4) uveďte do hornej polohy.
- Otočný stôl (14) zafixujte v polohe 0°.
- Uvoľnite fixačnú skrutku (22). Rukoväťou nakláňajte (1) hlavu stroja (4) doľava, kým ukazovateľ (19) nebude ukazovať na požadovaný uhlový rozmer na stupnici (18).
- Opäť pevne utiahnite fixačnú skrutku (22).
- Rez vykonajte podľa opisu v bode 10.4.

10.7 Šikmý rez 0° - 45° a otočný stôl 0°-45° (obr. 1/2/4/12)

Pomocou kapovacej píly je možné vykonávať šikmé rezy smerom doľava pod uhlom 0°-45° k pracovnej ploche a zároveň 0°-45° doľava resp. 0°-45° doprava k dorazovej lište (dvojité šikmé rezy).

Pozor!

Posuvná dorazová lišta (16a) sa musí pre úkosové rezy (naklonená hlava píly) zafixovať vo vonkajšej polohe. **(Ľavá strana).**

- Otvorte fixačnú skrutku (16b) posuvnej dorazovej lišty (16a) a vytlačte posuvnú dorazovú lištu (16a) von.
- Posuvné dorazové lišty (16a) sa musia zaaretovať tak, aby bola vzdialenosť medzi dorazovými lištami (16a) a pílovým kotúčom (6) minimálne 8 mm.
- Posuvná dorazová lišta (16a) sa musí nachádzať vo vnútornej polohe **(Pravá strana).**
- Opäť utiahnite fixačnú skrutku (16b).
- Uveďte hlavu prístroja (4) do hornej polohy.
- Uvoľnite otočný stôl (14) povolením rukoväte (11).
- Rukoväťou (11) nastavte otočný stôl (14) na požadovaný uhol (pozri k tomu aj bod 10.5).
- Rukoväť (11) opäť pevne utiahnite, aby ste zafixovali otočný stôl.
- Uvoľnite fixačnú skrutku (22).
- Rukoväťou (1) nakloňte hlavu stroja (4) doľava, na požadovaný uhlový rozmer (pozri k tomu aj bod 10.6).
- Opäť pevne utiahnite fixačnú skrutku (22).
- Rez vykonajte podľa opisu v bode 10.4.

11. Údržba

⚠ **Varovanie! Pred každým nastavením, údržbou alebo opravou vytiahnite sieťovú zástrčku!**

11.1 Všeobecné údržbové opatrenia

Raz za čas zo stroja utrite handrou triesky a prach. Raz za mesiac naolejujte otočné diely pre predĺženie životnosti nástroja. Motor neolejujte.

Na čistenie plastu nepoužívajte žiadne leptavé prostriedky.

11.2 Čistenie bezpečnostného zariadenia – pohyblivý chránič pílového kotúča (5)

Pred každým uvedením do prevádzky skontrolujte, či nie je znečistený chránič pílového kotúča.

Pomocou štetca alebo podobného vhodného nástroja odstráňte všetky piliny a triesky.

11.3 Výmena vložky stola

Nebezpečenstvo!

V prípade poškodennej vložky stola (10) hrozí nebezpečenstvo, že sa medzi vložku stola a pílový kotúč zaseknú nejaké predmety a zablokujú pílový kotúč. **Poškodené vložky stola okamžite vymeňte!**

1. Vyskrutkujte skrutky na vložke stola. Prípadne otočte otočný stôl a nakloňte hlavu píly, aby ste dosiahli na skrutky.
2. Vyberte vložku stola.
3. Vložte novú vložku stola.
4. Pevne utiahnite skrutky na vložke stola.

11.4 Inšpekcia kefiek

Uhlíkové kefky skontrolujte na novom stroji, alebo ak ste namontovali nové kefky, po prvých 50 prevádzkových hodinách. Po prvej kontrole ich skontrolujte každých 10 prevádzkových hodín.

Ak je uhlík opotrebovaný na dĺžku 6 mm, pružina alebo vedľajší koncový drôt je spálený alebo poškodený, musíte vymeniť obidve kefky. Ak kefky po vymontovaní ohodnotíte ako použiteľné, môžete ich opäť namontovať.

Pre údržbu uhlíkových kefiek otvorte obidve blokovania (ako je zobrazené na obrázku 21) proti smeru hodinových ručičiek. Následne odoberte uhlíkové kefky.

Znova nasadte uhlíkové kefky v opačnom poradí.

11.5 Výmena pílového kotúča (obr. 1/2/14-17)

Vytiahnuť kábel zo siete!

Pozor!

Pri výmene pílového kotúča používajte ochranné rukavice! Nebezpečenstvo poranenia!

- Hlavu stroja (4) natočte nahor a zaaretujte poistným kolíkom (23).
- Uvoľnite upevňovaciu skrutku (5a) krytu pomocou krížového skrutkovača.

VÝSTRAŽNÉ UPOZORNENIE!

Túto skrutku nevyskrutkujte úplne.

- Chránič pílového kotúča (5) vyklopte nahor tak, aby sa uvoľnil chránič pílového kotúča (5) nad prírubovou skrutkou (28).

- Jednou rukou nasadte inbusový kľúč (C) na prírubovú skrutku (28).
- Inbusový kľúč (C) pevne držte a ochranu pílového kotúča (5) pomaly zatvárajte, kým táto nedolieha na inbusový kľúč (C).
- Blokovanie pílového hriadeľa (30) pevne stlačíte a pomaly otáčať prírubovú skrutku (28) v smere otáčania hodinových ručičiek. Po max. jednej otáčke by malo blokovanie pílového hriadeľa (30) zaskočiť.
- Teraz s trochu silou povolíte skrutku (28) v smere hodinových ručičiek.
- Prírubovú skrutku (28) celkom vyskrutkovať a odobrať vonkajšiu prírubu (29).
- Pílový kotúč (6) odobrať z vnútornej príruby (31) a vytiahnuť smerom nadol.
- Prírubovú skrutku (28), vonkajšiu prírubu (29) a vnútornú prírubu (31) dôkladne vyčistiť.
- Pri vkladaní nového pílového kotúča (6) postupovať v obrátenom poradí a pevne ho dotiahnuť.
- Ochranu pílového kotúča (5) sklopte nadol, až kým ochrana pílového kotúča (5) nevisí v upevňovacej skrutke (5a).
- Znovu pevne utiahnite prípevňovaciu skrutku (5a).
- **Pozor!**
Rezná šikmina zubov, t.j. smer otáčania pílového kotúča (6), sa musí zhodovať so smerom šípky na píle.
- Pred ďalšou prácou skontrolovať funkčnosť ochranných zariadení.
- **Pozor!**
Po každej výmene pílového kotúča skontrolovať, či sa pílový kotúč (6) vo zvislejšej polohe ako aj naklonený na 45° voľne pretáča v stolnej vložke (10).
- **Pozor!**
Výmena a nastavenie pílového kotúča (6) sa musia vykonať podľa predpisov.

11.6 Nastavenie lasera (Fig. 19-20)

Ak už laser (32) neukazuje správnu líniu rezu, môže sa dodatočne nastaviť. Za týmto účelom otvorte skrutky (32b) a odnímate predný kryt (32a). Uvoľnite skrutky s krížovou drážkou (E). Nastavte laser bočným posúvaním tak, aby laserový lúč dopadal na rezacie zuby pílového kotúča (6).

Po nastavení a pevnom utiahnutí lasera namontujte predný kryt. Za týmto účelom rukou pevne utiahnite obidve skrutky (32b).

Na nastavenie lasera sa stroj musí pripojiť k elektrickej sieti.

Pozor!

Pri nastavovaní lasera v žiadnom prípade nestláčajte zapínač/vypínač (2). Nebezpečenstvo zranenia!

11.7 Servisné informácie

Je potrebné dbať na to, že v prípade tohto výrobku podliehajú nasledujúce diely bežnému pracovnému alebo prirodzenému opotrebeniu, resp. sú nasledujúce diely považované za spotrebný materiál.

Diely podliehajúce opotrebeniu*: uhlíková kefka, pílový kotúč, vložka stola (č. výr. 5901215010), vrečko na zachytávanie pilín

* nie je bezpodmienečne obsiahnuté v objeme dodávky!

12. Doprava

- Rukoväť (11) pevne utiahnite, aby ste zaistili otočný stôl (14).
- Stlačíte odisťovaciu páku (3), zatlačíte hlavu prístroja (4) smerom nadol a zafixovať pomocou poistného čapu (23). Píla je tak zablokovaná v spodnej polohe.
- Zafixovať ťahovú funkciu píly pomocou aretačnej skrutky pre ťahové vedenie (20) v zadnej polohe.
- Prístroj preniesť za pevne stojaci pílový stôl (15).
- Pri opätovnej montáži stroja postupovať podľa popisu uvedeného v bode 8 a 9.

13. Skladovanie

Prístroj a jeho príslušenstvo skladujte na tmavom, suchom a nezamrzajúcom mieste neprístupnom pre deti. Optimálna skladovacia teplota sa nachádza medzi 5 a 30 °C.

Elektrický prístroj skladujte v originálnom obale.

Elektrický prístroj zakryte, aby ste ho chránili pred prachom alebo vlhkosťou.

Návod na obsluhu skladujte pri elektrickom prístroji.

14. Elektrická prípojka

Nainštalovaný elektromotor je pripojený a pripravený na prevádzku. Pripojenie zodpovedá príslušným ustanoveniam VDE a DIN. Sieťová prípojka na strane zákazníka, ako aj predlžovacie vedenie musia zodpovedať týmto predpisom.

- Výrobok spĺňa požiadavky EN 61000-3-11 a podlieha špeciálnym podmienkam pripojenia. To znamená, že použitie na ľubovoľných voľne voliteľných prípojných bodoch nie je dovolené.
- Prístroj môže pri nevhodných sieťových pomeroch viesť k prechodným kolísaniam napätia.
- Výrobok je určený výhradne na používanie na prípojných bodoch, pre ktoré platia nasledujúce predpoklady:
 - a) Nesmie sa prekročiť maximálna prípustná impedancia siete „Z“ ($Z_{max} = 0,339 \Omega$).
 - b) Musí byť zaručená zaťažiteľnosť permanentným prúdom siete minimálne 100 A na fázu.
- Ako používateľ musíte zabezpečiť, aby váš prípojný bod, na ktorom prevádzkujete výrobok, spĺňal jednu z dvoch uvedených požiadaviek a) alebo b). V prípade potreby to konzultujte s vaším dodávateľom elektrickej energie.

Dôležité upozornenia

Pri preťažení motora sa tento samočinne vypne. Po vychladení (časovo odlišné) je možné motor znovu zapnúť.

Poškodené elektrické prípojné vedenie

Na elektrických prípojných vedeniach často vznikajú škody na izolácii.

Príčinami môžu byť:

- Stlačené miesta, keď sa prípojné vedenia vedú cez okno alebo medzeru medzi dverami.
- Zalomené miesta v dôsledku neodborného upevnenia alebo vedenia prípojného vedenia.

- Rozrezané miesta vzniknuté pri prejazde cez prípojné vedenie.
- Škody na izolácii pri vytrhnutí zo zásuvky v stene.
- Trhliny pri zostarnutí izolácie.

Takéto poškodené elektrické prípojné vedenia sa nesmú používať a z dôvodu poškodenia izolácie sú životnebezpečné.

Elektrické prípojné vedenia pravidelne kontrolujte ohľadne poškodení. Dávajte pozor na to, aby pri kontrole prípojného vedenia nebolo toto pripojené k elektrickej sieti.

Elektrické prípojné vedenia musia zodpovedať príslušným ustanoveniam VDE a DIN. Používajte iba prípojné vedenia s rovnakým označením.

Vytlačenie označenia typu na prípojnom kábli je predpis.

Ak je sieťový prívod tohto náradia poškodený, musí sa vymeniť za špeciálne prípojné vedenie, ktoré je k dispozícii u výrobcu alebo v jeho servise.

Motor na striedavý prúd:

Sieťové napätie musí predstavovať 220 - 240 V~

- Predlžovacie vedenia do dĺžky 25 m musia vykazovať priemer 1,5 mm².

Prípojky a opravy elektrickej výbavy smie vykonávať iba vyučený elektrikár.

V prípade otázok uveďte, prosím, nasledujúce údaje:

- druh prúdu motora,
- údaje z typového štítku stroja

15. Likvidácia a recyklácia

Prístroj sa nachádza v obale za účelom zabránenia poškodeniu pri transporte. Tento obal je vyrobený zo suroviny a tým pádom je ho možné znovu použiť alebo sa môže dať do zberu na recykláciu surovín.

Prístroj a jeho príslušenstvo sa skladajú z rôznych materiálov, ako sú napr. kovy a plasty. Poškodené súčiastky odovzdajte na vhodnú likvidáciu špeciálneho odpadu. Informujte sa v odbornej predajni alebo na miestnych úradoch!



Obal je z ekologického materiálu, ktorý môžete zlikvidovať v miestnych recyklačných centrách.

O možnostiach likvidácie opotrebovaného prístroja sa informujte na vašej samospráve alebo štátnej správe.

Staré zariadenia nevyhadzujte do domového odpadu!



Tento symbol upozorňuje na to, že tento výrobok sa musí zlikvidovať podľa smernice o odpade z elektrických a elektronických zariadení (2012/19/EÚ) a nesmie sa zlikvidovať s domovým odpadom. Tento výrobok sa musí odovzdať na to určenému zbernému stredisku. K tomu môže dôjsť napríklad vrátením pri nákupe podobného výrobku alebo odovzdaním autorizovanému zbernému stredisku na recykláciu odpadu z elektrických a elektronických zariadení.

Neodborné zaobchádzanie so starými zariadeniami môže mať v dôsledku potenciálne nebezpečných látok, ktoré obsahuje odpad z elektrických a elektronických zariadení, negatívny vplyv na životné prostredie a zdravie osôb. Odbornou likvidáciou tohto výrobku navyše prispievate k efektívnemu využívaniu prírodných zdrojov. Informácie o zberných strediskách pre staré zariadenia získate od vašej miestnej správy, verejnoprávnej inštitúcie zaoberajúcej sa likvidáciou odpadu, autorizovaného úradu pre likvidáciu odpadu z elektrických a elektronických zariadení alebo od vášho odvozu odpadkov.

16. Odstraňovanie porúch

| Porucha | Možná príčina | Náprava |
|--|---|---|
| Motor nefunguje. | Motor, kábel alebo zásuvka sú chybné, poistky spálené. | Stroj nechajte skontrolovať odborníkom. Nikdy motor neopravujte sami. Nebezpečenstvo! Skontrolujte poistky, príp. ich vymeňte. |
| Motor beží pomaly a nedosahuje prevádzkovú rýchlosť. | Napätie je príliš nízke, vinutia poškodené, kondenzátor spálený. | Nechajte odborným elektrikárom skontrolovať napätie. Motor nechajte skontrolovať odborníkom. Kondenzátor nechajte vymeniť odborníkom. |
| Motor je príliš hlučný. | Poškodené vinutia, chybný motor. | Motor nechajte skontrolovať odborníkom. |
| Motor nedosahuje plný výkon. | Prúdové obvody v sieťovom zariadení preťažené (kontrolky, iné motory atď.). | Nepoužívajte žiadne iné zariadenia ani motory na rovnakom prúde obvode. |
| Motor sa ľahko prehrieva. | Preťaženie motora, nedostatočné chladenie motora. | Zabráňte preťaženiu motora pri rezaní, z motora odstráňte prach, aby sa zaručilo optimálne chladenie motora. |
| Rez je drsný alebo zvltný. | Pílvy kotúč je tupý, forma zubov nie je vhodná na hrúbku materiálu. | Dodatočne obrúste pílvy kotúč, príp. použite vhodný pílvy kotúč. |
| Obrobok je vytrhaný, príp. vyštiepaný. | Príliš vysoký tlak rezania, príp. pílvy kotúč nie je vhodný na dané použitie. | Použite vhodný pílvy kotúč. |

17. Záručný list

Vážená zákazníčka, vážený zákazník,

naše výrobky podliehajú prísnej kontrole kvality. V prípade, že nebude prístroj napriek tomu bezchybne fungovať, je nám to veľmi ľúto a prosíme Vás, aby ste sa obrátili na našu servisnú službu na adrese uvedenej na tomto záručnom liste. Radi Vám budeme k dispozícii taktiež telefonicky na uvedenom servisnom telefónnom čísle. Pri uplatňovaní nárokov na záručné plnenie platia nasledujúce podmienky:

- Tieto záručné podmienky upravujú dodatočné záručné plnenie. Vaše zákonné nároky na záruku nie sú touto zárukou dotknuté. Naše záručné plnenie je pre Vás zadarmo.
- Záručné plnenie sa vzťahuje výlučne len na nedostatky, ktoré sú spôsobené chybami materiálu alebo výrobnými chybami, a je obmedzené na odstránenie týchto nedostatkov resp. výmenu prístroja. Prosím, dbajte na to, že naše prístroje neboli svojim určením konštruované na profesionálne, remeselnícke ani priemyselné použitie. Táto záručná zmluva sa preto neuzatvára, ak sa prístroj bude používať v profesionálnych, remeselníckych alebo priemyselných prevádzkach ako aj na činnosti rovnocenné s takýmto použitím. Z našej záruky sú okrem toho vylúčené náhradné plnenie za škody pri transporte, škody spôsobené nedodržaním návodu na montáž alebo na základe neodbornej inštalácie, nedodržaním návodu na použitie (ako napr. pripojením na nesprávne sieťové napätie alebo druh prúdu), zneužívaním alebo nesprávnym používaním (ako napr. preťaženie prístroja alebo použitie neprípustných pracovných nástrojov alebo príslušenstva), nedodržaním pokynov pre údržbu a bezpečnostných pokynov, vniknutím cudzích telies do prístroja (ako napr. piesok, kamene alebo prach), použitím násilia alebo cudzieho pôsobenia (napr. škody spôsobené pádom), a taktiež je vylúčené bežné opotrebenie primerané použitiu.

Nárok na záruku zaniká, ak už boli na prístroji svojvoľne uskutočnené zásahy.

- Doba záruky je 3 roky a začína sa dátumom nákupu prístroja. Nároky na záruku sa musia uplatniť pred koncom uplynutia záručnej doby do dvoch týždňov od zistenia nedostatku. Uplatnenie nárokov na záruku po uplynutí záručnej doby je vylúčené. Oprava alebo výmena prístroja nevedie k predĺženiu záručnej doby ani nedochádza na základe tohto plnenia ku vzniku novej záručnej doby pre prístroj ani pre akékoľvek inštalované náhradné diely. To platí taktiež pri nasadení miestneho servisu.
- Pre uplatnenie Vášho nároku na záruku sa, prosím, obráťte na nižšie uvedenú adresu servisu. Pokiaľ reklamácia prebieha počas záručnej doby, dáme Vám k dispozícii formulár o vrátení tovaru, s ktorým nám môže svoj chybný prístroj bezplatne poslať späť. Prosím, popíšte nám čo najpresnejšie dôvod reklamácie. Ak spadá defekt prístroja pod naše záručné plnenie, dostanete obratom naspäť opravený alebo nový prístroj.

Samozrejme Vám radi opravíme závady na prístroji na vaše náklady, ak tieto závady nespádajú alebo už nespádajú do rozsahu záruky. Prosím, pošlite nám v takom prípade prístroj na našu servisnú adresu.

Priama linka servisu (SK):

+800 4003 4003

(0,00 €/Min.)

E-mailová adresa (SK):

service.SK@scheppach.com

Adresa servisu (SK):

GARLAND distributor, s.r.o.

Hradecká 1136

CZ - 50601 Jicín



Na stránke www.lidl-service.com si môžete stiahnuť tieto a veľa ďalších príručiek, videí o výrobkoch a inštaláčne softvéry.

Pomocou kódu QR môžete priamo otvoriť stránku služieb spoločnosti Lidl (www.lidl-service.com) a otvoriť si návod na obsluhu zadáním čísla výrobku (IAN) 338493_2007.

| | | |
|-----|---|-----|
| 1. | Explicación de los símbolos que aparecen sobre el aparato | 103 |
| 2. | Introducción | 104 |
| 3. | Descripción del aparato (ilustr. 1-22) | 104 |
| 4. | Volumen de suministro | 105 |
| 5. | Uso adecuado | 105 |
| 6. | Instrucciones de seguridad | 105 |
| 7. | Características técnicas | 109 |
| 8. | Antes de la puesta en marcha | 110 |
| 9. | Estructura | 110 |
| 10. | Manejo | 111 |
| 11. | Mantenimiento | 113 |
| 12. | Transporte | 114 |
| 13. | Almacenamiento | 114 |
| 14. | Conexión eléctrica | 114 |
| 15. | Eliminación y reciclaje | 115 |
| 16. | Subsanación de averías | 115 |
| 17. | Certificado de garantía | 116 |
| 18. | Declaración de conformidad | 131 |

1. Explicación de los símbolos que aparecen sobre el aparato



ES

Antes de la puesta en servicio, leer y seguir las instrucciones de servicio y seguridad.



ES

Llevar gafas de protección.



ES

Llevar protección auditiva.



ES

En caso de formación de polvo, llevar protección respiratoria.



ES

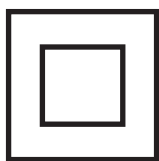
¡Atención! ¡Riesgo de lesión! No tocar la hoja de sierra mientras se encuentre en funcionamiento.



Achtung! - Laserstrahlung
Nicht in den Strahl blicken!
Laser Klasse 2
Laserspezifikation nach EN 60825-1:2014
λ = 650 nm P_e < 1 mW

ES

¡Atención! Radiación por láser



ES

Clase de protección II (aislamiento doble)

2. Introducción

FABRICANTE:

scheppach

Fabrikation von Holzbearbeitungsmaschinen GmbH
Günzburger Straße 69
D-89335 Ichenhausen

ESTIMADO CLIENTE,

Le deseamos éxito y disfrute al trabajar con su nuevo aparato.

NOTA:

De acuerdo con la ley de responsabilidad del product aplicable, el fabricante de este dispositivo no es responsable de los daños que puedan surgir por o en relación con este dispositivo en caso de:

- Manejo inadecuado,
- Incumplimiento de las instrucciones de uso,
- Reparaciones por terceros, trabajadores no capacitados,
- Instalación y sustitución de piezas de repuesto que no sean originales,
- Uso indebido,
- Fallos del sistema eléctrico debido a la falta de conformidad con las especificaciones eléctricas y las regulaciones VDE 0100, DIN 57113 / VDE 0113.

Recomendaciones:

Lea el texto completo del manual de instrucciones antes del montaje y puesta en funcionamiento del dispositivo.

Estas instrucciones de uso están pensadas para que le resulte más fácil familiarizarse con el dispositivo y utilizar sus posibilidades de uso.

Las instrucciones de uso contienen notas importantes sobre cómo trabajar de manera segura, adecuada y económica con su máquina y cómo evitar peligros, ahorrar en costes de reparaciones, reducir el tiempo de inactividad y aumentar la fiabilidad y vida útil de la máquina.

Además de las normas de seguridad contenidas en este escrito usted debe, en todo caso, cumplir con la normativa aplicable de su país con respecto al manejo de esta máquina.

Ponga las instrucciones de uso en una funda de plastic transparente para protegerlas de la suciedad y la humedad y guárdelas cerca de la máquina. Cada operario debe leer y observar las instrucciones antes de empezar el trabajo.

Solo las personas que han recibido formación sobre el uso de la máquina y se les ha informado sobre los peligros y riesgos relacionados con ella pueden usarla. Debe cumplirse la edad mínima requerida.

Además de las normas de seguridad contenidas en el presente manual de instrucciones y las normativas especiales de su país, deben observarse las normas técnicas generalmente reconocidas para el funcionamiento de máquinas de trabajo.

Declinamos cualquier responsabilidad de posibles accidentes o daños que puedan producirse por no obedecer las presentes instrucciones y advertencias de seguridad.

3. Descripción del aparato (ilustr. 1-22)

1. Empuñadura
 2. Interruptor de encendido/apagado
 3. Interruptor de bloqueo
 4. Cabezal de la máquina
 5. Protector móvil de la hoja de sierra
 - 5a. Tornillo de fijación
 6. Hoja de sierra
 7. Dispositivo de sujeción
 - 7a. Tornillo de la empuñadura en estrella
 8. Soporte de la pieza de trabajo
 9. Tornillo fijador para el soporte de la pieza de trabajo
 10. Inserción de la mesa
 11. Empuñadura / tornillo fijador para mesa giratoria
 12. Indicador
 13. Escala
 14. Mesa giratoria
 15. Mesa fija de aserrado
 16. Carril de tope
 - 16a. Carril de tope desplazable
 - 16b. Tornillo fijador
 17. Saco de recogida de virutas
 18. Escala angular
 19. Indicador de ángulo
 20. Tornillo fijador para guía de tracción
 21. Guía de tracción
 22. Tornillo fijador
 23. Perno de seguridad
 24. Tornillo de limitación de profundidad de corte
 - 24a. Tuerca moleteada de limitación de la profundidad de corte
 25. Tope de limitación de profundidad de corte
 26. Tornillo de ajuste (90°)
 - 26a. Contratuerca (90°)
 27. Tornillo de ajuste (45°)
 - 27a. Contratuerca (45°)
 28. Tornillo de brida
 29. Brida exterior
 30. Bloqueador del eje de la sierra
 31. Brida interna
 32. Láser
 - 32a. Carcasa láser cubierta
 - 32b. Tornillo de cabeza ranurada en cruz
 33. Interruptor de conexión/desconexión de láser
 34. Estribo de guía
 35. Palanca de posición de encaje
 36. Protección contra ladeo
 37. Tope longitudinal
 38. Tornillo de ajuste
- A.) Ángulo de tope de 90° (no incluido en el volumen de entrega)
- B.) Ángulo de tope de 45° (no incluido en el volumen de entrega)
- C.) Llave de hexágono interior, 6mm
- D.) Llave de hexágono interior, 3mm
- E.) Tornillo de ranura en cruz (láser)

4. Volumen de suministro

- Oscilante, sierra de tracción, y para cortar ingletes
- 2 x dispositivos de sujeción (7)
- 2 x soportes de la pieza (8) (pre ensamblado)
- Bolsa colectora de virutas (17)
- Llave de hexágono interior 6 mm (C)
- Llave de hexágono interior 3 mm (D)
- Instrucciones de servicio

5. Uso adecuado

La sierra de tracción, oscilante y para cortar ingletes sirve para cortar madera y plástico conforme al tamaño de la máquina. La sierra no está indicada para cortar leña.

¡Advertencia!

No utilice nunca el aparato para el corte de otros materiales distintos a los descritos en el manual de instrucciones.

¡Advertencia!

La hoja de sierra suministrada está pensada exclusivamente para el aserrado de madera. No lo utilice para el aserrado de leña!

Este aparato sólo debe emplearse en aquellos casos para los que se ha destinado. Cualquier otro uso no será adecuado. En caso de uso inadecuado, el fabricante no se hace responsable de daños o lesiones de cualquier tipo; el responsable es el usuario u operario de la máquina.

Sólo está permitido utilizar hojas de sierra adecuadas para este tipo de máquina. Se prohíbe el uso de cualquier tipo de muela de tronzar.

Otra de las condiciones para un uso adecuado es la observancia de las instrucciones de seguridad, así como de las instrucciones de montaje y de servicio contenidas en el manual de instrucciones.

Las personas encargadas de operar y mantener la máquina deben estar familiarizadas con la misma y haber recibido información sobre todos los posibles peligros.

Además, es imprescindible respetar en todo momento las prescripciones vigentes en materia de prevención de accidentes.

Es preciso observar también cualquier otro reglamento general en el ámbito de la medicina laboral y técnicas de seguridad.

El fabricante no se hace responsable de los cambios que el operario haya realizado en la máquina ni de los daños que se puedan derivar por este motivo.

Existen determinados factores de riesgo que no se pueden descartar por completo, incluso haciendo un uso adecuado de la máquina. El tipo de diseño y atributos de la máquina pueden conllevar los riesgos siguientes:

- Contacto con la hoja de la sierra en la zona en que se halla al descubierto.
- Entrada en contacto con la hoja de la sierra en funcionamiento (riesgo de heridas por corte).
- Rebote de las piezas con las que se está trabajando o de algunas de sus partes.
- Rotura de la hoja de la sierra.
- Proyección de partículas del revestimiento de metal duro defectuoso procedente de la hoja de la sierra.

- Lesiones del aparato auditivo por no utilizar la protección necesaria.
- Se producen emisiones de polvo de madera perjudiciales para la salud si se usa la sierra en recintos cerrados.

Es preciso tener en consideración que nuestro aparato no está indicado para un uso comercial, industrial o en taller. No asumiremos ningún tipo de garantía cuando se utilice el aparato en zonas industriales, comerciales o talleres, así como actividades similares.

6. Instrucciones de seguridad

Indicaciones generales de seguridad para herramientas eléctricas

⚠ ADVERTENCIA: Lea todas las indicaciones de seguridad, instrucciones, ilustraciones y datos técnicos que acompañan a esta herramienta eléctrica.

Si no se respetan las siguientes instrucciones, puede producirse una descarga eléctrica, un incendio y/o lesiones graves.

Conserve todas las indicaciones de seguridad e instrucciones para futuros usos.

El término empleado en las indicaciones de seguridad «herramienta eléctrica» se refiere tanto a las herramientas eléctricas conectadas a la red eléctrica (con línea de alimentación), como a las herramientas eléctricas que funcionan por batería (sin línea de alimentación).

1. Seguridad en el lugar de trabajo

- **Tenga su zona de trabajo ordenada y bien iluminada.** Las zonas de trabajo desordenadas o mal iluminadas pueden causar accidentes.
- **Con la herramienta eléctrica, no trabaje en entornos en peligro de explosión en los que haya líquidos, gases o polvos inflamables.** Las herramientas eléctricas producen chispas que pueden inflamar el polvo o los vapores.
- **Cuando use esta herramienta eléctrica, no permita que se acerquen niños u otras personas.** Al distraerse puede perder el control de la herramienta eléctrica.

2. Seguridad eléctrica

- **La clavija de conexión de la herramienta eléctrica debe ser compatible con la toma de enchufe. Bajo ningún concepto se debe modificar la clavija. No utilice adaptadores de conexión en las herramientas eléctricas con toma de tierra.** Las clavijas compatibles y sin modificar reducen el riesgo de una descarga eléctrica.
- **Evite el contacto corporal con las superficies conectadas a tierra tales como tuberías, calentadores, estufas y refrigeradores.** Existe un mayor riesgo de descarga eléctrica si su cuerpo está en contacto con la tierra.

- **Mantenga las herramientas eléctricas alejadas de la lluvia o la humedad.** La entrada de agua en la herramienta eléctrica aumenta el riesgo de una descarga eléctrica.
- **No modifique la finalidad del cable de conexión para cargar, colgar la herramienta eléctrica o para desenchufar la clavija de la toma de enchufe. Aleje el cable de conexión de fuentes de calor, de aceite, de bordes afilados o de componentes móviles.** Unos cables de conexión dañados o enredados aumentan el riesgo de una descarga eléctrica.
- **Si trabaja con una herramienta eléctrica al aire libre, emplee solo cables alargadores que también sean adecuados para zonas exteriores.** El uso de un cable alargador adecuado para zonas exteriores reduce el riesgo de una descarga eléctrica.
- **Si no se puede evitar el funcionamiento de la herramienta eléctrica en un entorno húmedo, emplee un interruptor de corriente de defecto.** El uso de un interruptor de protección de corriente residual reduce el riesgo de una descarga eléctrica.

3. Seguridad de las personas

- **Sea cuidadoso y preste atención a lo que hace, y realice con prudencia el trabajo con una herramienta eléctrica. No use ninguna herramienta eléctrica si está cansado o si está bajo el efecto de drogas, alcohol o medicamentos.** Un descuido durante el uso de la herramienta eléctrica puede causar lesiones graves.
- **Use equipos de protección individual y lleve siempre gafas de protección.** La utilización de equipos de protección individual (tales como mascarilla antipolvo, calzado de seguridad antideslizante, casco protector o protección auditiva) adecuados al tipo de herramienta eléctrica y a su empleo reduce el riesgo de sufrir lesiones.
- **Evite una puesta en marcha accidental. Asegúrese de que la herramienta eléctrica se encuentre desconectada antes de cogerla o transportarla o conectarla a la alimentación de corriente y/o a la batería.** Si transporta la herramienta eléctrica con el dedo puesto en el interruptor o conecta la herramienta eléctrica a la toma de corriente estando ésta en posición de encendido, puede causar un accidente.
- **Antes de proceder al encendido de la herramienta eléctrica, retire cualquier herramienta de ajuste o llave inglesa.** Una herramienta o una llave puesta en una pieza giratoria de la herramienta eléctrica pueden causar lesiones.
- **Evite posturas forzadas. Procure una buena estabilidad y mantenga siempre el equilibrio.** Así controlará mejor la herramienta eléctrica, si surge una situación imprevista.
- **Use ropa adecuada. No use ropa holgada ni joyas. No acerque el cabello ni la ropa a las piezas móviles.** La ropa holgada, las joyas y el cabello largo pueden engancharse en las piezas móviles.

- **Si pueden instalarse dispositivos de aspiración y recogida de polvo, estos deberán conectarse y emplearse de forma correcta.** El uso de un aspirador de polvo puede reducir los riesgos derivados del polvo.
- **No se confíe ni ignore las reglas de seguridad de las herramientas eléctricas, ni siquiera en caso de estar familiarizado con la herramienta eléctrica por un uso frecuente de la misma.** Un manejo poco atento puede causar lesiones de extrema gravedad en fracciones de segundo.

4. Uso y manipulación de la herramienta eléctrica

- **No sobrecargue la herramienta eléctrica. Trabaje con la herramienta eléctrica adecuada.** Si usa la herramienta eléctrica adecuada, trabajará mejor y más seguro dentro del rango de potencia indicado.
- **No emplee la herramienta eléctrica cuyo interruptor esté defectuoso.** Una herramienta eléctrica, que ya no se puede conectar o desconectar de nuevo, es peligrosa y se debe reparar.
- **Retire la clavija de conexión de la toma de enchufe y/o retire una batería extraíble antes de realizar ajustes en el aparato, cambiar piezas intercambiables de la herramienta o guardar la herramienta eléctrica.** Esta medida de precaución evita el arranque involuntario de la herramienta eléctrica.
- **Mantenga las herramientas eléctricas que no utilice fuera del alcance de los niños. No deje utilizar la herramienta eléctrica a ninguna persona que no esté familiarizada con ella o que no haya leído estas instrucciones.** Las herramientas eléctricas son peligrosas si son utilizadas por personas sin experiencia.
- **Cuide con esmero las herramientas eléctricas y los insertos intercambiables de la misma. Compruebe que las piezas móviles funcionan bien y no se atascan, que no hay piezas rotas ni dañadas, y que la herramienta eléctrica funciona correctamente. Si hay alguna pieza dañada, repárela antes de usar la herramienta eléctrica.** Muchos accidentes se deben a herramientas eléctricas que no han recibido el debido mantenimiento.
- **Mantenga las herramientas de corte afiladas y limpias.** Las herramientas de corte con bordes cortantes y afilados conservadas cuidadosamente se atascan menos y son más fáciles de conducir.
- **Use la herramienta eléctrica, los accesorios, las herramientas, etc. conforme a estas instrucciones. Tenga en cuenta las condiciones de trabajo y los trabajos que se deben realizar.** El uso de herramientas eléctricas para fines no previstos puede ser peligroso.
- **Mantenga las empuñaduras y sus superficies secas, limpias y libres de aceite y grasa.** Unas empuñaduras y unas superficies de agarre resbaladizas no permiten realizar un manejo y control seguro de la herramienta eléctrica en situaciones imprevistas.

5. Servicio técnico

- **Encargue la reparación de su herramienta eléctrica solamente a personal técnico cualificado y únicamente con piezas de repuesto originales.** Así se garantizará que la herramienta eléctrica siga siendo segura.

Indicaciones de seguridad para sierras de tronzo y de cortar ingletes

- Las sierras de tronzo y de cortar ingletes se han previsto para cortar madera o productos de materiales similares, pero no se pueden emplear para cortar materiales de hierro como varillas, barras, tornillos, etc.** El polvo de abrasión causa un bloqueo de las piezas móviles, como la cubierta protectora inferior. Las chispas de corte quemar la cubierta protectora inferior, la placa de inserción y otras piezas de plástica.
- Si fuera posible, fije siempre la pieza de trabajo con prensatornillos o sargentos. Si sujeta la pieza de trabajo con la mano, debe mantener siempre su mano alejada de la hoja de sierra en cada lado, una distancia mínima de 100 mm. No utilice esta sierra para cortar piezas que sean demasiado pequeñas como para sujetarlas o mantenerlas sujetas con la mano.** Si su mano estuviera demasiado cerca de la hoja de sierra, existe un gran peligro de lesiones por contacto con la hoja de sierra.
- La pieza de trabajo debe estar inmovilizada y, o bien estar firmemente sujeta o bien apretada contra el tope y la mesa. No deslice la pieza de trabajo en la hoja de sierra ni corte nunca „a pulso“.** Las piezas de trabajo sueltas o móviles podrían salir despedidas a gran velocidad y causar lesiones.
- Deslice la sierra a través de la pieza de trabajo. Evite tirar de la sierra a través de la pieza de trabajo. Para efectuar un corte, levante el cabezal de la sierra y tire de éste sobre la pieza, sin cortar. A continuación, conecte el motor, gire el cabezal de la sierra hacia abajo y empuje la sierra a través de la pieza de trabajo.** En caso de corte con presión progresiva, existe el peligro de que la hoja de sierra ascienda por la pieza y que la unidad de la hoja de sierra experimente un violento retroceso hacia el usuario.
- No cruce nunca la mano sobre la línea de corte prevista, ni por delante ni por detrás de la hoja de sierra.** Soportar la pieza de trabajo „con las manos cruzadas“, es decir, manteniendo la pieza de trabajo a la derecha junto a la hoja de sierra con la mano izquierda o viceversa, es muy peligroso.
- No agarre por detrás del tope mientras esté girando la hoja de sierra. No deje nunca que la distancia de seguridad disminuya por debajo de 100 mm entre la mano y la hoja de sierra en rotación (ello es válido a ambos lados de la hoja de sierra, por ejemplo, al retirar desperdicios de madera).** La proximidad de la hoja de sierra en rotación hasta su mano podría resultar imperceptible y usted podría sufrir lesiones graves.
- Compruebe la pieza de trabajo antes del corte. Si la pieza de trabajo está arqueada o deformada, sujétela con el lado curvado hacia fuera contra el tope. Asegúrese siempre de que a lo largo de la línea de corte no haya ninguna ranura entre la pieza de trabajo, el tope y la mesa.** Las piezas de trabajo combadas o deformadas pueden darse la vuelta o cambiar súbitamente de posición, aprisionando la hoja de sierra en rotación durante el corte. No debe haber ningún clavo ni cuerpo extraño en la pieza de trabajo.
- Emplee la sierra solo cuando la mesa esté libre de herramientas, residuos de madera, etc.; solo la pieza de trabajo debe estar sobre la mesa.** Los pequeños residuos, trozos de madera sueltos u otros objetos que entren en contacto con la hoja en rotación, pueden salir despedidos a gran velocidad.
- Corte cada vez una única pieza de trabajo.** Las piezas de trabajo apiladas varias veces no se dejan apretar o sujetar apropiadamente y pueden causar un aprisionamiento de la hoja o patinar durante el aserrado.
- Ocúpese de que la sierra de tronzo y de cortar ingletes se encuentre sobre una superficie de trabajo lisa y firme antes de su uso.** Una superficie de trabajo lisa y firme reduce el peligro de que la sierra de tronzo y de cortar ingletes se vuelva inestable.
- Planifique el trabajo. Preste atención con cada regulación de la inclinación de la hoja de sierra o del ángulo de tronzo a que el tope regulable esté ajustado correctamente y que la pieza de trabajo apoye sin entrar en contacto con la hoja o la cubierta protectora.** Hay que simular un movimiento de corte completo sin llegar a conectar la máquina y sin pieza de trabajo sobre la mesa, para garantizar que no haya obstáculos ni peligro de corte en el tope.
- Con las piezas de trabajo que sean más anchas o más largas que la superficie de la mesa, debe proporcionar un apoyo apropiado, como por ejemplo, extensiones de la mesa o caballetes de aserrado.** Las piezas de trabajo que sean más largas o más anchas que la mesa de la sierra de tronzo y de cortar ingletes podrían ladearse y caer en caso de no estar firmemente afianzadas. Si se cae un taco de madera cortado o la propia pieza de trabajo, la cubierta protectora inferior podría levantarse o salir despedida descontroladamente por la hoja en rotación.
- No recurra a ninguna otra persona como sustitutivo de una extensión de la mesa o para proporcionar un soporte adicional.** Un soporte inestable de la pieza de trabajo puede causar el aprisionamiento de la hoja. También la pieza de trabajo durante el corte podría desplazarse y tirar del ayudante hacia la hoja en rotación.
- La pieza cortada no debe empujarse en contra de la hoja de sierra en rotación.** Si hay poco espacio, por ejemplo por utilizarse topes longitudinales, la pieza cortada podría enchavetarse contra la hoja y salir despedida violentamente.

- o) Utilice siempre un prensatornillo o sargento, o un dispositivo adecuado, para afianzar apropiadamente materiales redondos como barras o tubos.** Las barras tienden a rodar durante el corte, con lo que la hoja puede ser „aprisionada“ y tirar de la pieza de trabajo junto con su mano hacia la hoja.
- p) Deje que la hoja alcance el número de revoluciones máximo antes de cortar la pieza de trabajo.** Ello reduce el riesgo de que la pieza de trabajo salga lanzada.
- q) Si se inmoviliza la pieza de trabajo o si la hoja queda bloqueada, desconecte la sierra de tronzado y de cortar ingletes. Espere a que todos los componentes móviles se hayan detenido, desenchufe la clavija de conexión de la red y/o extraiga la batería. A continuación, retire el material atascado.** Si siguiera serrando con un bloqueo de este tipo, podría producirse una pérdida de control o bien daños en la sierra de tronzado y de cortar ingletes.
- r) Una vez concluido el corte, suelte el interruptor, mantenga el cabezal de la sierra abajo y espere a que se detenga la hoja, antes de retirar la pieza cortada.** Es muy peligroso acercarse a la mano a la hoja en giro por inercia.
- s) Mantenga bien sujeta la empuñadura cuando ejecute un corte incompleto con la sierra o si suelta el interruptor, antes de que el cabezal de la sierra haya alcanzado su posición inferior.** En virtud del efecto de frenado de la sierra, el cabezal de la sierra puede experimentar un tirón brusco hacia abajo, lo que conlleva un peligro de lesiones.

Instrucciones de seguridad para el manejo de las hojas de sierra

1. No utilice hojas de sierra defectuosas o deformadas.
2. No utilice hojas de sierra que revistan fisuras. Deseche hojas de sierra con fisuras. Se prohíbe la reparación.
3. No utilice hojas de sierra fabricadas de acero de corte rápido.
4. Controle el estado de las hojas de sierra antes de utilizar la sierra oscilante y de tracción.
5. Emplee exclusivamente hojas de sierra apropiadas para el material que se vaya a cortar.
6. Utilice solo las hojas de sierra estipuladas por el fabricante.
Las hojas de sierra deben, si están previstas para el mecanizado de madera o materiales similares, cumplir la norma EN 847-1.
7. No utilice hojas de sierra de acero de corte rápido (HSS) de alta aleación.
8. Utilice solo hojas de sierra cuyo régimen máximo no sea inferior al régimen máximo de husillo del aparato y que sea apropiado para el material que se vaya a cortar.
9. Preste atención a la dirección de giro de la hoja de sierra.
10. Utilice solo hojas de sierra cuando domine su manejo.
11. Respete el régimen máximo. No se debe exceder la velocidad máxima indicada en la hoja de corte. Respete, si se indica, el régimen.

12. Limpie las superficies tensoras de suciedad, grasa, aceite y agua.
13. No utilice aros o manguitos reductores sueltos para reducir los taladros de las hojas de sierra.
14. Preste atención a que los aros reductores fijos para asegurar la hoja de sierra a emplear dispongan del mismo diámetro y como mínimo 1/3 del diámetro de corte.
15. Asegúrese de que los aros reductores se encuentren entre sí en paralelo.
16. Maneje hojas de sierra con precaución. Conserve estas preferiblemente en el embalaje original o en envases especiales. Vista guantes de protección para mejorar la seguridad de agarre y reducir el riesgo de lesión.
17. Asegúrese antes del uso de hojas de sierra que todos los dispositivos de protección se encuentren fijados correctamente.
18. Compruebe antes del uso que la hoja de sierra usada por usted cumpla los requisitos técnicos de este equipo y se encuentre fijada correctamente.
19. Use la hoja de sierra suministrada solo para trabajos de corte de madera, nunca para el trabajo en metales.
20. Utilice únicamente una hoja de sierra con un diámetro que cumpla las indicaciones de la sierra.
21. Utilice los soportes adicionales para piezas de trabajo si ello fuera necesario para garantizar la estabilidad de la pieza en cuestión.
22. Durante el trabajo, deben fijarse y utilizarse siempre las extensiones del soporte de la pieza de trabajo.
23. ¡Sustituya toda pieza de inserción de la mesa desgastada!
24. Evite que se produzca un sobrecalentamiento de los dientes de la sierra.
25. Al serrar plásticos, evite que se funda el plástico. Utilice para ello las hojas de sierra correctas. Sustituya a tiempo las hojas de sierra dañadas o desgastadas. Si se produce un sobrecalentamiento de la hoja de sierra, detenga la máquina. Deje primero que la hoja de sierra se enfríe antes de trabajar de nuevo con el aparato.



Atención: Radiación láser
No mirar directamente el trayecto del rayo
Clase de láser 2



Protegerse a si mismo y el medio ambiente tomando las medidas adecuadas para prevenir cualquier tipo de accidente!

- No mirar directamente el trayecto del rayo láser sin gafas protectoras.
- No mirar jamás directamente en el canal de salida del rayo.
- No dirigir nunca el rayo láser sobre superficies reflectantes, ni tampoco sobre personas ni animales. Incluso un rayo láser de baja potencia puede provocar lesiones oculares.
- Atención: si no se siguen estas instrucciones al pie de la letra se podría producir una exposición peligrosa a las radiaciones.

- Jamás abrir el módulo láser. Podría producirse una exposición imprevista a la radiación.
- El láser no debe sustituirse por un láser de otro tipo.
- Solo el fabricante del láser o un representante autorizado están autorizados a realizar reparaciones en el láser.

Riesgos residuales

La máquina se ha construido de acuerdo con los últimos avances tecnológicos y observando las reglas técnicas de seguridad de aplicación reconocida. Aún así pueden emanar determinados riesgos residuales durante el trabajo.

- Si no se utilizan las líneas de conexión eléctricas apropiadas, existe riesgo para la salud.
- Asimismo, a pesar de todas las precauciones adoptadas pueden existir riesgos residuales no patentes.
- Los riesgos residuales se pueden minimizar observando las "indicaciones de seguridad" y el "uso conforme al previsto" y siguiendo las instrucciones de servicio en su integridad.
- No someta a la máquina a mayor presión de la necesaria: demasiada presión durante el aserrado puede dañar con celeridad la hoja de sierra, provocando una reducción del rendimiento de la máquina durante el procesamiento y para la precisión de corte.
- Durante el aserrado de material de plástico, utilice siempre prisioneros: las secciones que deban aserrarse, deben fijarse siempre entre los prisioneros.
- Evite puestas en servicio fortuitas de la máquina: al introducir la clavija en el enchufe, no debe presionarse la tecla de servicio.
- Utilice la herramienta que se recomienda en este manual. De este modo conseguirá que su sierra tronzadora alcance el mejor rendimiento.
- No acerque sus manos a la zona de trabajo cuando la máquina esté en marcha.
- Antes de realizar trabajos de ajuste o de mantenimiento, suelte la tecla de arranque y desenchufe la clavija de la red.

¡Advertencia!

Esta herramienta eléctrica produce un campo electromagnético mientras funciona. Este campo puede perjudicar bajo circunstancias concretas implantes médicos activos o pasivos. Con el fin de reducir el peligro de lesiones graves o mortales, recomendamos a las personas con implantes médicos que consulten tanto a su médico como al fabricante del implante médico antes de manejar la herramienta eléctrica.

7. Características técnicas

| | |
|---|--------------------------------|
| Motor de corriente alterna | 220 - 240 V~ 50 Hz |
| Potencia S1 | 1700 Watt |
| Modo operativo | S6 25%* 2000W |
| Velocidad en vacío n_0 | 4800 min ⁻¹ |
| Hoja de sierra con metal duro | ∅ 210 x ∅ 30 x 2,6 mm |
| Número de dientes | 24 |
| Ancho máximo del dentado de la hoja de sierra | 3 mm |
| Alcance de giro | -45° / 0° / +45° |
| Corte de ingletes | de 0° a 45° hacia la izquierda |
| Ancho de sierra a 90° | 340 x 65 mm |
| Ancho de sierra a 45° | 240 x 65 mm |
| Ancho de sierra a 2 x 45° (Corte de ingletes doble) | 240 x 38 mm |
| Clase de protección | II / |
| Peso | ca. 12,15 kg |
| Clase de láser | 2 |
| Longitud de onda láser | 650 nm |
| Potencia láser | < 1 mW |

* Tipo de funcionamiento S6, funcionamiento cíclico continuo. El funcionamiento se compone de un tiempo de arranque, un tiempo con carga constante, y de un tiempo de marcha en vacío. La duración de un ciclo es de 10 minutos, la duración relativa de conexión equivale al 25 % de la duración de un ciclo.

La pieza de trabajo debe tener como mínimo un alto de 3 mm y un ancho de 10 mm. Preste atención a que la pieza de trabajo se asegure siempre con el dispositivo tensor.

Ruidos

La emisión de ruidos de esta sierra se ha determinado conforme a la norma EN 62841.

| | |
|---|--------------------|
| Nivel de presión acústica L_{PA} | 96,5 dB(A) |
| Imprecisión K_{PA} | 3 dB |
| Nivel de potencia acústica L_{WA} | 109,5 dB(A) |
| Imprecisión K_{WA} | 3 dB |

Use un medio de protección auditiva.

El efecto del ruido puede causar pérdida auditiva.

Los valores de emisiones de ruido indicados se han medido siguiendo un proceso de comprobación normalizado y pueden utilizarse para comparar una herramienta eléctrica con otra.

Los valores de emisiones de ruido indicados se pueden emplear también para una apreciación provisional de la carga.

Advertencia:

- Las emisiones de ruido pueden diferir de los valores indicados durante el uso real de la herramienta eléctrica, dependiendo del tipo y modo de uso de la misma, especialmente, del tipo de pieza de trabajo con el que se trabaje.

- Intente mantener lo más baja posible la carga. Medidas a modo de ejemplo para limitar el tiempo de trabajo. Para ello, deben tenerse en cuenta todas las fracciones de los ciclos de funcionamiento (por ejemplo, tiempos en los que la herramienta eléctrica se encuentra desconectada, y tiempos en los que se encuentra conectada, pero funciona sin carga).

8. Antes de la puesta en marcha

- Abra el embalaje y extraiga el aparato cuidadosamente.
- Retire el material de embalaje y los seguros de embalaje y transporte (si los hubiera).
- Compruebe la integridad del volumen de suministro.
- Compruebe que no haya daños de transporte en el aparato y en los componentes de los accesorios.
- Conserve el embalaje por si fuera preciso hasta la extinción del período de garantía.

ATENCIÓN

¡El aparato y los materiales de embalaje no son aptos como juguetes para niños! ¡Ningún niño debe poder jugar con las bolsas de plástico, láminas y pequeñas piezas! ¡Existe peligro de atragantamiento y de asfixia!

- La máquina se debe instalar en estado seguro. Fije la máquina a un banco de trabajo, bastidor inferior o similar. Introduzca 4 tornillos (no incluidos en el volumen de suministro) en los orificios de la mesa fija de aserrado (15). Apriete los tornillos.
- Afloje y extraiga por completo el dispositivo de protección contra ladeo (36) preinstalado en la parte inferior de la sierra y vuelva a asegurarlo con la llave Allen (D).
- Ajuste el tornillo de ajuste (38) al nivel del tablero de mesa para evitar que la máquina se incline.
- Antes de la puesta en marcha, instale debidamente todas las cubiertas y dispositivos de seguridad.
- La hoja de la sierra debe poder moverse sin problemas.
- En caso de madera ya trabajada, es preciso asegurarse de que la misma no presente cuerpos extraños como, por ejemplo, clavos o tornillos.
- La hoja de sierra debe estar correctamente montada antes de pulsar el interruptor ON/OFF. Las piezas móviles deben desplazarse sin problemas.
- Antes de la conexión, compruebe que los datos de la placa de datos coincidan con los de la red eléctrica.

8.1 Comprobación del dispositivo de seguridad de protección de la hoja de sierra móvil (5)

La protección de la hoja de sierra protege de un posible contacto con la hoja de sierra y de las virutas desprendidas.

Comprobación del funcionamiento

Para ello, abatir hacia abajo la sierra:

- La protección de la hoja de sierra debe desbloquear la hoja de sierra durante la basculación hacia abajo, sin llegar a tocar otras piezas.
- Al abatir hacia arriba la hoja de sierra hasta la posición inicial, la protección de la hoja de sierra debe cubrir automáticamente la hoja.

9. Estructura

9.1 Ensamblaje de la sierra (ilustr. 1/2/4)

- Para regular la mesa giratoria (14), aflojar la empuñadura (11) aprox. 2 giros y tirar de la palanca de posición de encaje (35) con el índice hacia arriba.
- Gire la mesa giratoria (14) y el indicador (12) la medida angular deseada de la escala (13) y fjela con la empuñadura (11).
- Presione ligeramente el cabezal de la máquina (4) hacia abajo. Extrayendo y girando simultáneamente el perno de seguridad (23) del soporte del motor, se desenclava la sierra de la posición inferior.
- Gire el perno de seguridad (23) 90 grados para fijarlo en la posición desbloqueada.
- Gire el cabezal de la máquina (4) hacia arriba.
- El dispositivo de sujeción (7) se puede fijar tanto a la izquierda como a la derecha en la mesa fija de aserrado (15). Inserte el dispositivo de sujeción (7) en el orificio previsto para ello en la parte posterior del carril de tope (16) y asegúrelo por medio del tornillo de agarre de la estrella (7a). En cortes en inglete de 0° a 45° hay que montar el dispositivo de sujeción (7) solo en un lado (a la derecha) (véase la ilustración 11-12).
- El cabezal de la máquina (4) se puede inclinar hacia la izquierda un máx. de 45° aflojando el tornillo fijador (22).
- Durante el trabajo, deben fijarse y utilizarse siempre los soportes de la pieza de trabajo (8). Ajuste el tamaño deseado aflojando el tornillo fijador (9). Luego apriete de nuevo el tornillo fijador (9).

9.2 Bolsa colectora de virutas (ilustr. 1/2/2)

La sierra está equipada con una bolsa colectora (17) de virutas.

Junte presionando las aletas metálicas del saco de recogida de virutas (17) y móntelo en la abertura de salida de la zona del motor.

La bolsa colectora de virutas (17) se puede vaciar abriendo la cremallera situada en la parte inferior.

9.2.1 Conexión a un dispositivo de aspiración de polvo externo

- Conecte la manguera de aspiración con la salida de aspiración.
- El aspirador industrial debe ser adecuado para el material a procesar.
- Cuando aspire polvo que sea especialmente perjudicial para la salud o cancerígeno, utilice un aspirador especial.

9.3 Ajuste de precisión del tope para un corte de tronchado a 90° (ilustr. 1/2/5/6)

Herramienta necesaria:

- Llave Allen 6mm
- Llave de boca fija SW13 (no incluida en el volumen de suministro)
- **El ángulo tope no se incluye en el volumen de entrega.**
- Baje el cabezal de la máquina (4) hacia abajo y fjelo con el perno de seguridad (23).
- Afloje el tornillo fijador (22).
- Coloque la escuadra con espaldón (A) entre la hoja de sierra (6) y la mesa giratoria (14).

- Afloje la contratuerca (26a).
- Regule el tornillo de ajuste (26) hasta que el ángulo entre la hoja de sierra (6) y la mesa giratoria (14) sea de 90°.
- Apriete de nuevo la contratuerca (26a).
- Compruebe a continuación la posición del indicador de ángulo. Si fuera preciso, suelte el indicador (19) con un destornillador para tornillos de cabeza ranurada en cruz, ajústelo en la posición de 0° de la escala angular (18) y vuelva a apretar el tornillo de fijación.

9.4 Ajuste de precisión del tope para un corte de ingletes de 45° (ilustr. 1/2/5/9/10)

Herramienta necesaria:

- Llave Allen 6mm
- Llave de boca fija SW13 (no incluida en el volumen de suministro)

El ángulo tope no se incluye en el volumen de entrega.

- Baje el cabezal de la máquina (4) hacia abajo y fíjelo con el perno de seguridad (23).
- Fije la mesa giratoria (14) en la posición de 0°.

¡Atención!

El carril de tope desplazable (16a) se debe fijar para los cortes de inglete (cabezal inclinado de la sierra) en la posición exterior. **(lado izquierdo)**.

- Afloje el tornillo fijador (16b) del carril de tope desplazable (16a) y desplace el carril de tope (16a) desplazable hacia fuera.
- Los carriles de tope desplazables (16a) deben inmovilizarse de forma que la distancia entre dichos carriles y la hoja de sierra (6) sea por lo menos 8 mm.
- El carril de tope desplazable (16a) debe encontrarse en la posición interior. **(lado derecho)**.
- Antes de realizar el corte, compruebe que no se pueda producir una colisión entre la barra tope (16a) y la cuchilla de la sierra (6).
- Suelte el tornillo fijador (22) e incline el cabezal de la máquina (4) hacia la izquierda a 45° mediante el asidero (1).
- Coloque la escuadra con espaldón (B) a 45° entre la hoja de sierra (6) y la mesa giratoria (14).
- Soltar la contratuerca (27a) y regular el tornillo de ajuste (27) hasta que el ángulo entre la hoja de sierra (6) y la mesa giratoria (14) sea exactamente de 45°.
- Apriete de nuevo la contratuerca (27a).
- Compruebe a continuación la posición del indicador de ángulo. Si fuera preciso, suelte el indicador (19) con un destornillador para tornillos de cabeza ranurada en cruz, ajústelo en la posición de 45° de la escala angular (18) y vuelva a apretar el tornillo de fijación.

10. Manejo

10.1 Funcionamiento en modo láser (ilustr. 18)

- **Encendido:** Pulsar 1 vez el interruptor de conexión/desconexión del láser (33). Sobre la pieza de trabajo se proyecta una línea de láser que indica la guía de corte exacta.
- **Apagado:** Pulsar de nuevo el interruptor de conexión/desconexión del láser (33).

10.2 Limitación de profundidad de corte (aserrado de ranura) (ilustr. 3/13)

⚠ ADVERTENCIA

¡Peligro de rebote! Al hacer ranuras, es particularmente importante que no se ejerza presión lateral sobre la hoja de sierra. ¡De lo contrario, el cabezal de la sierra podría saltar repentinamente! Utilice un dispositivo de sujeción para ranuras. Evite la presión lateral sobre el cabezal de la sierra.

- Con ayuda del tornillo (24) se puede regular de forma continua la profundidad de corte. Para ello soltar la tuerca moleteada del tornillo (24a). Colocar hacia afuera el tope para limitar la profundidad de corte (24). Ajustar la profundidad de corte deseada apretando o aflojando el tornillo (24a). A continuación, volver a apretar la tuerca moleteada en el tornillo (24).
- Comprobar el ajuste realizando un corte de prueba.

10.3 Corte en serie

El tope longitudinal (37) puede abrirse para cortes repetidos de la misma longitud. Puede utilizar el tope longitudinal (37) en el lado derecho e izquierdo.

- Coloque el tope longitudinal (37) hacia arriba.
- Afloje el tornillo fijador para el soporte de la pieza de trabajo (9).
- Extraiga el soporte de la pieza de trabajo (8).
- Ajuste la medida deseada entre la hoja de sierra y el tope longitudinal (37).
- Vuelva a fijar el tornillo fijador para el soporte de la pieza de trabajo (9).
- Realice los cortes como se indica de 10.4 a 10.7.

10.4 Corte de 90° y mesa giratoria 0° (ilustr. 1/2/7)

Con anchos de corte de hasta unos 100 mm se puede fijar la función de tracción de la sierra mediante el tornillo fijador (20) en la posición posterior. En esta posición se puede manejar la máquina con la función de tronzado. Si el ancho de corte fuera superior a 100 mm, debe tenerse en cuenta que el tornillo fijador (20) está suelto y que el cabezal de la máquina (4) es móvil.

¡Atención!

Los carriles de tope desplazables (16a) deben fijarse para cortes de tronzado de 90° en la posición interior.

- Abra los tornillos fijadores (16b) de los carriles de tope desplazables (16a) y desplace dichos carriles hacia dentro.
- Los carriles de tope desplazables (16a) deben inmovilizarse de forma que la distancia entre dichos carriles y la hoja de sierra (6) sea, como máximo, de 8 mm.
- Compruebe antes de efectuar el corte que entre los carriles de tope (16a) y la hoja de sierra (6) no sea posible una colisión.
- Apretar de nuevo los tornillos fijadores (16b).
- Colocar el cabezal de la máquina (4) en la posición superior.
- Desplazar el cabezal de la máquina (4) con la empuñadura (1) hacia atrás y fijarla, en caso necesario, hasta esta posición. (Dependiendo de la anchura de corte).

- Colocar la madera que se desee cortar en la guía de corte (16) y sobre la mesa giratoria (14).
- Comprobar que el material con el dispositivo de sujeción (7) se encuentre sobre la mesa para sierra con sujeción fija (15) con el fin de evitar que se desplace durante el proceso de corte.
- Desbloquear el interruptor de bloqueo (3) y pulsar el interruptor de conexión/desconexión (2) para encender el motor.
- **Con guía de tracción fija (21):** Presionando ligeramente, mover homogéneamente hacia abajo el cabezal de la máquina (4) con ayuda de la empuñadura (1) hasta que la hoja de la sierra (6) haya cortado la pieza.
- **Con guía de tracción no fija (21):** Llevar el cabezal de la máquina (4) completamente hacia delante. Bajar completamente la empuñadura (1), de forma homogénea y ejerciendo una ligera presión. A continuación desplazar lenta y homogéneamente el cabezal de la máquina (4) hacia atrás hasta que la hoja de la sierra (6) haya cortado completamente la pieza.
- Una vez finalizado el proceso de serrado volver a colocar el cabezal de la máquina en la posición de descanso superior y soltar el interruptor ON/OFF (2).

¡Atención! El muelle recuperador hace que la máquina tienda a moverse hacia arriba de forma automática. En este caso, no soltar la empuñadura (1) cuando se haya finalizado el corte, mover el cabezal de la máquina lentamente hacia arriba ejerciendo una ligera contra presión.

10.5 Corte de 90° y mesa giratoria 0° - 45° (ilustr. 1/7/8)

Con la sierra oscilante se pueden realizar cortes oscilantes hacia la izquierda de 0° a 45° y hacia la derecha de 0° a -45° con respecto a la guía de corte.

¡Atención!

Para cortes mitra de 90°, la barra tope móvil (16a) debe fijarse en la posición interior.

- Extraiga el tornillo de ajuste (16b) en la barra tope móvil (16a) y empuje la barra tope móvil (16a) hacia dentro.
- Los carriles de tope desplazables (16a) deben inmovilizarse de forma que la distancia entre dichos carriles y la hoja de sierra (6) sea por lo menos 8 mm.
- Antes de realizar el corte, compruebe que no se pueda producir una colisión entre la barra tope (16a) y la cuchilla de la sierra (6).
- Apriete de nuevo el tornillo de ajuste (16b).
- Suelte el asidero (11) en caso de que esté muy apretado. Tire de la palanca de posición de encaje (35) hacia arriba con el dedo índice. Coloque la mesa giratoria (14) en el ángulo que desee utilizando el asidero (11).
- El indicador (12) de la mesa giratoria debe coincidir con la medida angular deseada de la escala (13) en la mesa fija de aserrado (15).
- Apriete de nuevo el la empuñadura (11) para fijar la mesa giratoria (14).
- Realice el corte del modo descrito en el apartado 10.4.

10.6 Corte de ingletes 0° - 45° y mesa giratoria 0° (ilustr. 1/2/11)

Con la sierra se pueden realizar cortes de ingletes hacia la izquierda de 0° a 45° con respecto a la superficie de trabajo.

¡Atención!

El carril de tope desplazable (16a) se debe fijar para los cortes de inglete (cabezal inclinado de la sierra) en la posición exterior. **(lado izquierdo)**.

- Afloje el tornillo fijador (16b) del carril de tope desplazable (16a) y desplace el carril de tope (16a) desplazable hacia fuera.
- Los carriles de tope desplazables (16a) deben inmovilizarse de forma que la distancia entre dichos carriles y la hoja de sierra (6) sea por lo menos 8 mm.
- El carril de tope desplazable (16a) debe encontrarse en la posición interior. **(lado derecho)**.
- Antes de realizar el corte, compruebe que no se pueda producir una colisión entre la barra tope (16a) y la cuchilla de la sierra (6).
- Asegure de nuevo la palanca de bloqueo (16b).
- Desplace el cabezal de la máquina (4) a la posición superior.
- Fije la mesa giratoria (14) en la posición de 0°.
- Suelte el tornillo fijador (22). Incline el cabezal de la máquina (4) hacia la izquierda mediante el asidero (1) hasta que el indicador (19) señale en la escala (18) la medida angular deseada.
- Apriete de nuevo el tornillo fijador (22).
- Realice el corte del modo descrito en el apartado 10.4.

10.7 Corte de ingletes 0° - 45° y mesa giratoria 0° - 45° (ilustr. 1/2/4/12)

Con la sierra oscilante se pueden realizar cortes de ingletes hacia la izquierda de 0° a 45° con respecto a la superficie de trabajo y, al mismo tiempo, de 0° a 45° a la izquierda o de 0° a 45° a la derecha con respecto a la guía de tope (corte de ingletes doble).

¡Atención!

El carril de tope desplazable (16a) se debe fijar para los cortes de inglete (cabezal inclinado de la sierra) en la posición exterior. **(lado izquierdo)**.

- Afloje el tornillo fijador (16b) del carril de tope desplazable (16a) y desplace el carril de tope (16a) desplazable hacia fuera.
- Los carriles de tope desplazables (16a) deben inmovilizarse de forma que la distancia entre dichos carriles y la hoja de sierra (6) sea por lo menos 8 mm.
- Antes de realizar el corte, compruebe que no se pueda producir una colisión entre la barra tope (16a) y la cuchilla de la sierra (6).
- Asegure de nuevo la palanca de bloqueo (16b).
- Coloque el cabezal de la máquina (4) en la posición superior.
- Suelte la mesa giratoria (14) aflojando el asidero (11).
- Ajuste la mesa giratoria (14) en el ángulo que desee por medio del asidero (11) (véase también al respecto el apartado 10.5).
- Apriete de nuevo el asidero (11) para fijar la mesa giratoria.
- Suelte el tornillo fijador (22).
- Incline el cabezal de la máquina (4) hacia la izquierda con la medida angular deseada por medio del asidero (1) (véase también al respecto el apartado 10.6).
- Apriete de nuevo el tornillo fijador (22).
- Realice el corte del modo descrito en el apartado 10.4.

11. Mantenimiento

⚠ ¡Advertencia! ¡Antes de efectuar cualquier trabajo de ajuste, conservación o reparación, desenchufar la clavija de la red!

11.1 Medidas generales de mantenimiento

Retire cada cierto tiempo las virutas y el polvo de la máquina con ayuda de un paño. Engrase con aceite las piezas giratorias una vez al mes para prolongar la vida útil de la herramienta. No engrase con aceite el motor.

No utilice ningún producto cáustico para limpiar las piezas de plástico.

11.2 Limpieza de dispositivo de seguridad de protección de la hoja de sierra móvil (5)

Antes de cada puesta en marcha, compruebe que no haya suciedad ni impurezas en la protección de la hoja de sierra.

Retire todas las virutas de serrín y las astillas viejas mediante la ayuda auxiliar de un pincel, un cepillo o un utensilio similar.

11.3 Cambio de inserción de la mesa

¡Peligro!

Si la inserción de la mesa (10) estuviera dañada, existe el peligro de que queden obstruidos pequeños objetos entre la inserción de la mesa y la hoja de sierra, bloqueando con ello la hoja de sierra. **¡Sustituya inmediatamente las inserciones de la mesa dañadas!**

1. Desenrosque los tornillos de la inserción de la mesa. En caso necesario, gire la mesa giratoria e incline el cabezal de la sierra para poder acceder a los tornillos.
2. Retire la inserción de la mesa.
3. Coloque la inserción de la mesa nueva.
4. Apriete los tornillos en la inserción de la mesa.

11.4 Inspección de escobillas

Compruebe las escobillas de carbón en una máquina nueva al cabo de las primeras 50 horas de servicio o cuando se hayan instalado escobillas nuevas. Efectúe nuevas comprobaciones cada 10 horas de servicio tras la primera inspección.

Si el material de carbono está desgastado en una longitud de 6 mm o si los resortes o el hilo metálico en derivación están carbonizados o presentan daños, deben sustituirse ambas escobillas. Si tras desmontarlas se estima que las escobillas siguen siendo aptas para el uso, puede volver a montarlas.

Para realizar el mantenimiento de las escobillas de carbón, abra los dos bloqueos (tal como se representa en la ilustración 21) en sentido contrario a las agujas del reloj. Retire a continuación las escobillas de carbón.

Vuelva a colocar las escobillas de carbón en el orden contrario.

11.5 Cambiar la hoja de la sierra (ilustr. 1/2/14-17)

¡Desenchufar el aparato!

¡Atención!

¡Llevar guantes de protección para cambiar la hoja de sierra! ¡Peligro de sufrir daños!

- Bascule el cabezal de la máquina (4) hacia arriba e inmóvilice con el perno de seguridad (23).

- Afloje el tornillo de fijación (5a) de la cubierta con un destornillador para tornillos de cabeza ranurada en cruz.

¡AVISO DE ADVERTENCIA!

No extraiga por completo dicho tornillo.

- Abatir hacia arriba la protección de la hoja de sierra (5) hasta que dicha protección se encuentre por encima del tornillo de brida (28).
- Coloque con una mano la llave Allen (C) en el tornillo de brida (28).
- Mantenga sujeta la llave de hexágono interior (C) y cierre lentamente el protector de la hoja de sierra (5) hasta que este contacte con la llave de hexágono interior (C).
- Presionar el dispositivo de bloqueo del eje de la sierra (30) y girar el tornillo de la brida (28) lentamente hacia la derecha. Tras un giro como máximo, el dispositivo de bloqueo del eje de la sierra (30) se enclava.
- Seguidamente, aplicando un poco más de fuerza, aflojar el tornillo de brida (28) girándolo en el sentido de las agujas del reloj.
- Desatornillar totalmente el tornillo de la brida (28) y extraer la brida exterior (29).
- Separar la hoja de la sierra (6) de la brida interior (31) y extraerla hacia abajo.
- Limpiar con cuidado tornillo de la brida (28), la brida exterior (29) y la brida interior (31).
- Volver a ajustar y apretar la nueva hoja de sierra (6) con la misma secuencia de pasos pero en sentido inverso.
- Coloque la protección de la hoja de la sierra (5) hacia abajo hasta que la protección de la hoja de la sierra (5) cuelgue en el tornillo de fijación (5a).
- Apriete de nuevo el tornillo de fijación (5a).
- **Atención!**
La oblicuidad de corte de los dientes, es decir, el sentido de giro de la hoja de la sierra (6), debe coincidir con la dirección de la flecha indicada en la caja.
- Antes de continuar trabajando, comprobar que los dispositivos de protección funcionen correctamente.
- **Atención!**
Después de cada cambio de hoja de sierra (6), comprobar si dicha hoja gira sin problemas en posición vertical, así como inclinada 45°, en el revestimiento de la mesa (10).
- **Atención!**
La hoja de la sierra (6) se debe cambiar y alinear correctamente.

11.6 Ajuste del láser (ilustr. 19-20)

Si el láser (32) no indicara la línea de corte correcta, ésta se puede reajustar. Para ello, abra los tornillos (32b) y retire la cubierta anterior (32a). Suelte los tornillos de cabeza ranurada en cruz (E) y ajuste el láser mediante un desplazamiento lateral de forma que el rayo láser incida en los dientes de corte de la hoja de sierra (6).

Una vez que haya ajustado y apretado el láser, monte la cubierta anterior y apriete para ello con la mano los dos tornillos (32b).

La máquina debe estar conectada a la red eléctrica para ajustar el láser.

¡Atención!

No accione en ningún caso el interruptor de conexión/desconexión (2) al ajustar el láser. ¡Peligro de lesiones!

11.7 Información de servicio

Es preciso tener en cuenta, que las siguientes piezas de este producto se someten a desgaste natural o provocado por el uso o que se necesitan las siguientes piezas como materiales de consumo.

Piezas de desgaste*: Escobillas de carbón, hoja de sierra, inserción de la mesa (n.º de art. 5901215010), saco de recogida de virutas

* jino tiene por qué estar incluido en el volumen de entrega!

12. Transporte

- Apretar el asidero (11) para enclavar la mesa giratoria (14).
- Pulsar el cabezal de la máquina (4) hacia abajo y bloquear con el perno de seguridad (23). La sierra está bloqueada en la posición inferior.
- Fijar la función de tracción de la sierra con el tornillo de fijación para la guía de tracción (20) en la posición posterior.
- Transportar la máquina sujetándola por la mesa de sierra fija (15).
- Para volver a montar la máquina, proceder como se indica en el apartado 8 y 9.

13. Almacenamiento

Almacene el aparato y sus accesorios en un lugar oscuro, seco y sin riesgo de heladas, donde no esté al alcance de niños. El rango de temperatura de almacenamiento es de 5 a 30°C. Conserve la herramienta eléctrica en su embalaje original.

Cubra la herramienta eléctrica para protegerla del polvo o de la humedad.

Guarde las instrucciones de servicio junto con la herramienta eléctrica.

14. Conexión eléctrica

El electromotor instalado está conectado para utilizarse. La conexión cumple las pertinentes disposiciones VDE y DIN. La conexión a la red por parte del cliente, así como el cable alargador utilizado deben cumplir estas normas.

- El producto cumple los requisitos de la norma EN 61000-3-11 y está sometido a condiciones de conexión especiales. Ello significa que está prohibido un uso en puntos de conexión escogidos de forma arbitraria.
- El aparato puede provocar fluctuaciones de tensión transitorias ante unas condiciones desfavorables de la red.
- El producto solo está diseñado para su uso en puntos de conexión para los que se aplican los siguientes requisitos:
 - a) No se debe exceder una impedancia de red máxima permitida "Z" ($Z_{\max} = 0.339 \Omega$).
 - b) La red debe tener una intensidad de corriente permanente de al menos 100 A por fase.
- Como usuario, debe asegurarse de que el punto de conexión en el que utiliza el producto cumpla uno de los dos requisitos indicados, a) o b). En caso necesario, consulte con su empresa de suministro de energía.

Advertencias importantes

En caso de sobrecarga del motor, este se desconecta automáticamente. Tras un tiempo de refrigeración (los tiempos varían), puede conectarse de nuevo el motor.

Línea de conexión eléctrica defectuosa

En las líneas de conexión eléctrica surgen a menudo daños de aislamiento.

Las causas para ello pueden ser:

- Zonas aprisionadas al conducir las líneas de conexión a través de ventanas o puertas entreabiertas.
- Dobleces ocasionados por la fijación o el guiado incorrectos de la línea de conexión.
- Zonas de corte al sobrepasar la línea de conexión.
- Daños de aislamiento por tirar de la línea de conexión del enchufe de la pared.
- Grietas causadas por el envejecimiento del aislamiento.

Tales líneas de conexión eléctrica defectuosas no deben utilizarse, pues suponen un riesgo para la vida debido a los daños de aislamiento.

Supervisar con regularidad las líneas de conexión eléctrica en busca de posibles daños. Durante la comprobación, preste atención a que la línea de conexión no cuelgue de la red eléctrica.

Las líneas de conexión eléctrica deben cumplir las pertinentes disposiciones VDE y DIN. Utilice solo líneas de conexión con la misma certificación.

La impresión de la denominación del tipo en el cable de conexión es obligatoria.

Si el cable de conexión a la red del aparato estuviera dañado, se deberá sustituir por una línea de conexión especial, suministrable por el fabricante o por su servicio de atención al cliente.

Motor de corriente alterna:

La tensión de la red debe ser de 220 - 240 V~.

- Los cables alargadores de hasta 25 m de longitud deben poseer una sección de 1,5 milímetros cuadrados.

Las conexiones y reparaciones del equipamiento eléctrico deben realizarlas solo un experto electricista.

En caso de posibles dudas, indique los siguientes datos:

- Tipo de corriente del motor
- Datos de la placa de características del motor

15. Eliminación y reciclaje

El aparato está protegido por un embalaje para evitar daños producidos por el transporte. Este embalaje es materia prima y, por eso, se puede volver a utilizar o llevar a un punto de reciclaje.

El aparato y sus accesorios están compuestos de diversos materiales, como, p. ej., metal y plástico. Depositar las piezas defectuosas en un contenedor destinado a residuos industriales. Informarse en el organismo responsable al respecto en su municipio o en establecimientos especializados.



El embalaje está compuesto de materiales ecológicos que pueden ser eliminados en los puntos de reciclaje locales.

En su ayuntamiento o administración municipal podrá obtener información sobre las distintas opciones de eliminación de un aparato fuera de uso.

¡No arroje los aparatos usados a la basura doméstica!



Este símbolo indica que el producto, según la directiva sobre residuos de aparatos eléctricos y electrónicos (2012/19/UE) y las leyes nacionales, no puede eliminarse junto con la basura doméstica. En su lugar, este producto deberá ser conducido a un punto de recogida adecuado. Esto puede efectuarse devolviendo el aparato al comprar uno nuevo de características similares o entregándolo en un punto de recogida autorizado para el reciclaje de residuos de aparatos eléctricos y electrónicos. La manipulación inadecuada de residuos de aparatos eléctricos y electrónicos puede tener efectos negativos en el medio ambiente y en la salud humana, debido a las sustancias potencialmente peligrosas que estos frecuentemente contienen. Al eliminar correctamente este producto, Ud. contribuye además a un aprovechamiento eficaz de los recursos naturales. Para más información acerca de los puntos de recogida de residuos de aparatos usados, póngase en contacto con su ayuntamiento, el organismo público de recogida de residuos, cualquier centro autorizado para la eliminación de residuos de aparatos eléctricos y electrónicos o la oficina del servicio de recogida de basuras.

16. Subsanación de averías

| Avería | Posible motivo | Solución |
|---|---|--|
| El motor no funciona | Motor, cable o clavija defectuosos, se quemaron los fusibles | Acudir a un experto para que supervise la máquina. No reparar nunca el motor uno mismo. ¡Es peligroso! Comprobar los fusibles, sustituir en caso necesario |
| El motor arranca de manera lenta y no alcanza la velocidad de servicio. | Tensión demasiado baja, bobinas dañadas, condensador quemado | Deje que un electricista cualificado compruebe la tensión. Acudir a un experto para que supervise el motor. Acudir a un experto para que supervise el condensador |
| El motor hace demasiado ruido | Bobinas dañadas, motor defectuoso | Acudir a un experto para que supervise el motor |
| El motor no alcanza su potencia máxima. | Circuitos del sistema eléctrico sobrecargados (lámparas, otros motores, etc.) | No utilice otros aparatos o motores con el mismo circuito eléctrico |
| El motor se sobrecalienta con facilidad. | Sobrecarga del motor, insuficiente refrigeración del motor | Evitar la sobrecarga del motor durante el corte, retirar el polvo del motor para garantizar una refrigeración óptima del motor |
| El corte de la sierra es demasiado rugoso u ondulado | La hoja de sierra está roma, el dentado no es el apropiado para el espesor del material | Afilar la hoja de sierra o emplear una hoja de sierra apropiada |
| La pieza de trabajo se desgarró o se hace astillas | La presión de corte es demasiado elevada o la hoja de sierra no es la apropiada para la tarea | Colocar una hoja de sierra apropiada |

17. Certificado de garantía

Estimado cliente,

Nuestros productos están sometidos a un estricto control de calidad. No obstante, lamentaríamos que este aparato dejara de funcionar correctamente, en tal caso, le rogamos que se dirija a nuestro servicio de atención al cliente en la dirección indicada en la parte inferior de la presente tarjeta de garantía. Con mucho gusto le atenderemos también telefónicamente en el número de servicio indicado a continuación. Para hacer válido el derecho de garantía, proceda de la siguiente forma:

- Estas condiciones de garantía regulan prestaciones de la garantía adicionales. Sus derechos legales a prestación de garantía no se ven afectados por la presente garantía. Nuestra prestación de garantía es gratuita para usted. La prestación de garantía se extiende exclusivamente a defectos ocasionados por fallos de material o de producción y está limitada a la reparación de los mismos o al cambio del aparato. Tenga en consideración que nuestro aparato no está indicado para un uso comercial, en taller o industrial. Por lo tanto, no procederá un contrato de garantía cuando se utilice el aparato en zonas industriales, comerciales o talleres, así como actividades similares. De nuestra garantía se excluye cualquier otro tipo de prestación adicional por daños ocasionados por el transporte, daños ocasionados por la no observancia de las instrucciones de montaje o por una instalación no profesional, no observancia de las instrucciones de uso (como, p. ej., conexión a una tensión de red o corriente no indicada), aplicaciones impropias o indebidas (como, p. ej., sobrecarga del aparato o uso de herramientas o accesorios no homologados), no observancia de las disposiciones de mantenimiento y seguridad, introducción de cuerpos extraños en el aparato (como, p. ej., arena, piedras o polvo), uso violento o influencias externa (como, p. ej., daños por caídas), así como por el desgaste habitual por el uso.

El derecho a garantía pierde su validez cuando ya se hayan realizado intervenciones en el aparato.

- El periodo de garantía es de 3 años y comienza en la fecha de la compra del aparato. El derecho de garantía debe hacerse válido, antes de finalizado el plazo de garantía, dentro de un periodo de dos semanas una vez detectado el defecto. El derecho de garantía vence una vez transcurrido el plazo de garantía. La reparación o cambio del aparato no conllevará ni una prolongación del plazo de garantía ni un nuevo plazo de garantía ni para el aparato ni para las piezas de repuesto montadas. Esto también se aplica en el caso de un servicio in situ.
- Para reclamar sus derechos de garantía, póngase en contacto con la dirección de servicio que aparece a continuación. Si la reclamación se encuentra dentro del período de garantía, pondremos a su disposición un impreso de devolución con el que podrá devolvernos su aparato defectuoso sin cargo alguno. Describa con la mayor precisión posible el motivo de la reclamación. Si nuestra prestación de garantía incluye el defecto aparecido en el aparato, recibirá de inmediato un aparato reparado o nuevo de vuelta.

Naturalmente, también solucionaremos los defectos del aparato que no se encuentren comprendidos o ya no se encuentren comprendidos en la garantía, en este caso contra reembolso de los costes. Para ello, envíe el aparato a nuestra dirección de servicio técnico.

Cliente Servicio (ES):

+800 4003 4003
(0,00 EUR/Min.)

Correo electrónico de servicio (ES):

service.ES@scheppach.com

Dirección del servicio (ES):

ISTEGA S.L.
Ctra. De Cambre al Temple, 106 - A Barcala
ES - 15660 Cambre (A Coruna)



En www.lidl-service.com puede descargar estos y muchos otros manuales, videotutoriales de productos y software de instalación.

El código QR le direcciona directamente a la página de servicio de Lidl (www.lidl-service.com) y puede abrir el manual de instrucciones introduciendo el número de artículo (IAN) 338493_2007.

| Indholdsfortegnelse: | Side: |
|--|-------|
| 1. Forklaring af symbolerne på instrumentet..... | 118 |
| 2. Indledning..... | 119 |
| 3. Beskrivelse af apparatet (fig. 1-22) | 119 |
| 4. Leveringsomfang | 120 |
| 5. Korrekt anvendelse..... | 120 |
| 6. Sikkerhedsoplysninger | 120 |
| 7. Tekniske data..... | 123 |
| 8. Før ibrugtagning..... | 124 |
| 9. Opbygning | 124 |
| 10. Betjening | 125 |
| 11. Vedligeholdelse | 126 |
| 12. Transport..... | 127 |
| 13. Opbevaring | 127 |
| 14. Elektrisk forbindelse..... | 127 |
| 15. Bortskaffelse og genbrug..... | 128 |
| 16. Afhjælpning af fejl..... | 129 |
| 17. Garantibevis | 130 |
| 18. Overensstemmelseserklæring | 131 |

1. Forklaring af symbolerne på instrumentet



DK

Læs og overhold betjeningsvejledningen og sikkerhedsanvisningerne før ibrugtagning!



DK

Brug beskyttelsesbriller!



DK

Brug høreværn!



DK

Brug åndedrætsværn i støvede omgivelser!



DK

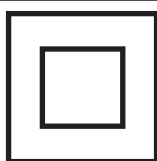
Vigtigt! Risiko for personskade. Grib aldrig ind i den kørende savklinge!



Achtung! - Laserstrahlung
Nicht in den Strahl blicken!
Laser Klasse 2
Laserspezifikation nach EN 60825-1:2014
λ = 650 nm P_e < 1 mW

DK

Pas på! Laserstråling



DK

Kapslingsklasse II (dobbeltisolering)

2. Indledning

PRODUCENT:

scheppach

Fabrikation von Holzbearbeitungsmaschinen GmbH
Günzburger Straße 69
D-89335 Ichenhausen

KÆRE KUNDE,

Vi håber, at du er tilfreds med og har fornøjelse af din nye maskine.

BEMÆRK:

I henhold til gældende produktansvarsregler kan producenten af dette udstyr ikke gøres ansvarlig for skader på udstyret eller skader forårsaget af dette i tilfælde af:

- forkert håndtering
- manglende overholdelse af brugsanvisningen
- reparationer udført af tredjemand, ikke-autoriserede tekniker
- installation af og udskiftning til ikke-originale reservedele
- ikke påtænkt anvendelse,
- fejl i det elektriske system som følge af manglende overholdelse af de elektriske forskrifter og bestemmelserne i VDE (den tyske forening for elektriske, elektroniske og informati-onsteknologier) 0100, DIN 57113/ VDE0113.

Vi anbefaler:

Inden montering og ibrugtagning læses hele brugsanvisningen igennem.

Denne brugsanvisning skal hjælpe dig med at lære din maskine at kende og udnytte dens funktioner bedst muligt.

Brugsanvisningen indeholder vigtige råd omkring, hvordan du arbejder sikkert, fagligt og økonomisk med maskinen, og hvordan du undgår risici, sparer reparationsomkostninger, reducerer nedetid og øger maskinens pålidelighed og levetid.

Sammen med de sikkerhedsmæssige bestemmelser i denne brugsanvisning skal du også sørge for, at de lokale forskrifter for drift af maskinen overholdes.

Opbevar brugsanvisningen ved maskinen, beskyttet mod snavs og fugt i en plastiklomme. Denne skal læses og overholdes af alle operatører inden arbejdet påbegyndes.

Der må kun arbejde personer ved maskinen, der er uddannet i brugen af maskinen, og som er gjort bekendt med de mulige farer ved arbejdet. Aldersgrænsen skal overholdes.

Udover de sikkerhedshenvisninger der er anført i denne betjeningsvejledning, samt de særlige bestemmelser, som skal overholdes i Deres hjemland, skal også de alment anerkendte fagtekniske regler for drift af maskiner overholdes.

Vi fraskriver os ethvert ansvar for skader på personer eller materiel, som måtte opstå som følge af, at anvisningerne i denne betjeningsvejledning, navnlig vedrørende sikkerhed, tilsidesættes.

3. Beskrivelse af apparatet (fig. 1-22)

1. Håndtag
 2. Tænd/Sluk-knap
 3. Spærrekontakt
 4. Maskinoverdel
 5. Bevægelig savklingebeskyttelse
 - 5a. Fastgørelsesskrue
 6. Savklinge
 7. Spændeanordning
 - 7a. Stjernegrebskrue
 8. Emnesupport
 9. Låseskrue til emnesupport
 10. Bordindlæg
 11. Håndtag / låseskrue for drejebord
 12. Viser
 13. Skala
 14. Drejebord
 15. Fast savbord
 16. Anslagsskinne
 - 16a. Forskydelig anslagsskinne
 - 16b. Låseskrue
 17. Spånpose
 18. Vinkelskala
 19. Vinkelviser
 20. Låseskrue til trækføring
 21. Trækføring
 22. Låseskrue
 23. Låsebolt
 24. Skrue til skæredybdebegrænsning
 - 24a. Fingermøtrik snitdydebegrænsning
 25. Anslag til skæredybdebegrænsning
 26. Justerskrue (90°)
 - 26a. Kontramøtrik (90°)
 27. Justerskrue (45°)
 - 27a. Kontramøtrik (45°)
 28. Flangeskrue
 29. Yderflange
 30. Savakselspærring
 31. Inderflange
 32. Laser
 - 32a. Laserhus afdækning
 - 32b. Stjerneskrue
 33. Tænd/Sluk-knap laser
 34. Føringsbøjle
 35. Låsestillingshåndtag
 36. Kipsikring
 37. Længdeanslag
 38. Justierschraube
- A.) 90° anslagsvinkel (medfølger ikke)
B.) 45° anslagsvinkel (medfølger ikke)
C.) Unbrakonøgle, 6 mm
D.) Unbrakonøgle, 3 mm
E.) Stjerneskrue (laser)

4. Leveringsomfang

- Kap- og tværsav
- 2 x spændeanordning (7)
- 2 x emnesupport (8) (formonterede)
- Spånpose (17)
- Unbrakonøgle 6 mm (C)
- Unbrakonøgle 3 mm (D)
- Driftsvejledning

5. Korrekt anvendelse

Kap- og tværsaven bruges til at skære i træ og kunststoffer, som passer til savens størrelse. Saven egner sig ikke til at skære brænde.

Advarsel!

Brug ikke saven til at skære i andre materialer end dem, der er beskrevet i betjeningsvejledningen.

Advarsel!

Den medfølgende savklinge er udelukkende beregnet til at skære i træ! Brug ikke denne savklinge til at skære brænde!

Udstyret skal udelukkende anvendes til dets fastsatte formål. Enhver anden anvendelse anses for at dreje sig om misbrug. Brugeren/operatøren og ikke producenten er ansvarlig for eventuelle skader og personskader af enhver art forårsaget som følge af dette.

Der må kun bruges savklinger, som er egnet til maskinen. Det er forbudt at bruge skæreskiver af enhver art.

Tilsligtet anvendelse omfatter også overholdelse af sikkerhedsanvisningerne og monteringsvejledningen samt driftsanvisningerne i betjeningsvejledningen.

Personer, der betjener og vedligeholder maskinen, skal være fortrolige med denne og være informeret om mulige farer.

Derudover skal de gældende uheldsforebyggende forskrifter overholdes meget nøje.

Andre, generelle regler inden for arbejdsmedicinske og sikkerhedstekniske områder skal overholdes.

Hvis der foretages ændringer på maskinen, bortfalder producentens ansvar for deraf følgende skader.

Selv om maskinen bruges som tilsigtet, kan visse tilbageværende risikofaktorer ikke helt udelukkes. Følgende punkter kan opstå, hvilket skyldes maskinens konstruktion og opbygning:

- Kontakt med savklingen i det ikke-tildækkede savområde.
- Indgreb i den kørende savklinge (snitsår).
- Tilbageslag ("kickback") fra emner og emnedele.
- Brud på savklinge.
- Udslyngning af defekte hårdmetaldele af savklingen.
- Hørskadener hvis der ikke bruges høreværn.
- Sundhedsskadelige emissioner af træstøv ved brug i lukkede rum.

Bemærk, at vores enheder ikke er beregnet til brug for kommercielle, håndværksmæssige eller industrielle applikationer. Vi accepterer ingen garanti, hvis maskinen bruges i kommercielle, håndværks- eller industrivirksomheder eller til tilsvarende formål.

6. Sikkerhedsoplysninger

Generelle sikkerhedsforskrifter for elværktøj

⚠ ADVARSEL: Læs alle sikkerhedsforskrifter, anvisninger, illustrationer og tekniske data, der følger med dette elværktøj. Følg de følgende instruktioner ikke nøje som beskrevet, kan dette føre til elektrisk stød, brand og/eller alvorlige personskader.

Opbevar alle sikkerhedsforskrifter og anvisninger til fremtidig brug.

Udtrykket "elværktøj", der er anvendt i sikkerhedsforskrifterne, henviser til lysnet-drevet elværktøj (med lysnetkabel) eller til batteridrevet elværktøj (uden lysnetkabel).

1. Arbejdspladssikkerhed

- **Hold arbejdsområdet rent og godt oplyst.** Uorden eller uoplyste arbejdsområder kan føre til ulykker.
- **Arbejd ikke med elværktøjet i eksplosionsfarlige omgivelser, hvor der findes brændbare væsker, gasser eller støv.** Elværktøj genererer gnister, der kan antænde støv eller dampe.
- **Hold børn og andre personer på afstand, når der arbejdes med elværktøjet.** Hvis du bliver distraheret, risikerer du at miste kontrollen over elværktøjet.

2. Elektrisk sikkerhed

- **Elværktøjets tilslutningsstik skal passe til stikkontakten. Stikket må ikke ændres på nogen måde.** Undlad brug af adapterstik sammen med elektrisk jordet elværktøj. Uændrede stik og passende stikkontakter mindsker risikoen for at få stød.
- **Undgå kropskontakt med jordede overflader som rør, varmeapparater, komfurer og køleskabe.** Der er øget risiko for elektrisk stød, hvis din krop er jordforbundet.
- **Hold elværktøj på afstand af regn og fugt.** Indtrængning af vand i et elværktøj øger risikoen for at få stød.
- **Brug ikke tilslutningsledningen til at bære eller ophænge elværktøjet eller til at trække stikket ud af stikkontakten med. Hold tilslutningsledningen på afstand af varme, olie, skarpe kanter eller bevægelige dele.** Beskadigede eller sammenfildrede tilslutningsledninger øger risikoen for at få stød.
- **Når du arbejder udendørs med et elværktøj, må du kun bruge forlængerledninger, som også er egnet til udendørs brug.** Brug af forlængerledning, der er egnet til udendørs brug, reducerer risikoen for at få elektrisk stød.
- **Hvis brug af elværktøjet i fugtigt miljø er uundgåelig, skal du bruge en fejlstrømsafbryder.** Brug af fejlstrømsafbryder mindsker risikoen for at få stød.

3. Personers sikkerhed

- **Vær opmærksom, vær agtpågivende på, hvad du gør, og arbejd altid fornuftigt med et elværktøj. Brug ikke et elværktøj, hvis du er træt eller påvirket af narkotika, alkohol eller medikamenter.** Et øjebliks uagtsomhed, mens elværktøjet bruges, kan føre til alvorlige kvæstelser.
- **Brug personlige værnemidler og altid beskyttelsesbriller.** Brug af personlige værnemidler såsom støvmaske, skridsikre sikkerhedssko, beskyttelseshjelm eller høreværn, afhængigt af hvad elværktøjet bruges til, mindsker risikoen for personskader.
- **Undgå utilsigtet ibrugtagning. Sørg for, at elværktøjet er slukket, før du tilslutter, opsamler eller bærer det hen til strømforsyningen og/eller batteriet.** Hvis du holder fingeren på kontakten, mens du bærer elværktøjet eller tilslutter det til strømforsyningen, kan dette forårsage ulykker.
- **Fjern indstillingsværktøj eller skruenøgler, inden du tilslutter elværktøjet.** Værktøj eller nøgler, som måtte befinde sig i en roterende del af elværktøjet, kan medføre personskader.
- **Undgå unormale kropsholdninger. Sørg for at stå sikkert, og hold altid ligevægten.** På denne måde kan du bedre kontrollere elværktøjet, hvis der opstår uventede situationer.
- **Brug egnet tøj. Brug ikke løstsiddende tøj eller smykker. Hold hår og tøj på afstand af bevægelige dele.** Løstsiddende tøj, smykker eller langt hår kan blive viklet ind i bevægelige dele.
- **Hvis der kan monteres støvudsugnings- og opsamlingsudstyr, skal sådant tilsluttes og anvendes korrekt.** Brug af støvudsugning kan mindske faren pga. støv.
- **Forlad dig ikke på falsk sikkerhed, og overskrid ikke sikkerhedsreglerne for elværktøjer, selvom du evt. føler dig fortrolig med elværktøjet efter længere tids brug.** Skødesløse handlinger kan føre til alvorlige personskader på en brøkdæl af et sekund.

4. Anvendelse og behandling af elværktøjet

- **Undlad at overbelaste elværktøjet. Til arbejdet skal man benytte det hertil beregnede elværktøj.** Du arbejder bedre og mere sikkert med det passende elværktøj i det angivne effektområde.
- **Brug aldrig et elværktøj med defekt kontakt.** Et elværktøj, der ikke kan tændes eller slukkes, er farligt og skal repareres.
- **Træk stikket ud af stikkontakten, og/eller fjern et udtageligt batteri, før du foretager justeringer på enheden, skifter værktøjsdele eller lægger elværktøjet fra dig.** Denne forholdsregel forhindrer utilsigtet start af elværktøjet.
- **Opbevar ubenyttet elværktøj utilgængeligt for børn. Lad ikke personer bruge elværktøjet, som ikke er fortrolige med det, eller som ikke har læst denne vejledning.** Elværktøjer er farlige i hænderne på uerfarne personer.

- **Elværktøjer og indsatsværktøjer skal plejes omhyggeligt. Kontrollér med jævne mellemrum, om bevægelige dele fungerer, som de skal, og at de ikke sidder fast, om dele er brækket eller beskadiget på en sådan måde, at elværktøjets funktion er forringet. Få beskadigede dele repareret eller udskiftet, før elværktøjet tages i brug.** Mange ulykker skyldes dårligt vedligeholdt elværktøj.
- **Hold skæreværktøj skarpt og rent.** Omhyggeligt plejet skæreværktøj med skarpe skærekanter sætter sig mindre hyppigt fast og er lettere at føre.
- **Brug elværktøj, tilbehør, indsatsværktøjer osv. i henhold til disse instruktioner. Tag hensyn til arbejdsvilkårene og den aktivitet, der skal udføres.** Brug af elværktøj til andre formål end de tilsigtede kan medføre farlige situationer.
- **Hold greb og gribeblader tørre, rene og fri for olie og fedt.** Glatte greb og gribeblader umuliggør sikker betjening af og kontrol med elværktøjet i uforudsete situationer.

5. Service

- **Elværktøjet må kun repareres af uddannet fagpersonale, og der må kun bruges originale reservedele.** Dette sikrer, at elværktøjet også fremover er sikkert at benytte.

Sikkerhedsforskrifter for gerings-/kapsave

- a) **Gerings- og kapsave er designet til at skære træ eller træliggende produkter; de kan ikke bruges til at skære jernmaterialer såsom stænger, bomme, skruer mv.** Slibende støv fører til blokering af bevægelige dele som den nederste beskyttelseskærm. Skæregnister brænder den nederste beskyttelseskærm, indsatspladen og andre plastdele.
- b) **Fasthold så vidt muligt emnet med skruetvinger. Hvis du holder emnet med hånden, skal du altid holde hånden mindst 100 mm fra hver side af savklingen. Denne sav må ikke benyttes til skæring af stykker, som er for små til, at de kan fastspændes eller holdes sikkert i hånden.** Hvis din hånd er for tæt på savklingen, er der øget risiko for personskader pga. kontakt med savklingen.
- c) **Emnet skal være ubevægeligt og enten være fastspændt eller presset mod anslaget og bordet. Skub ikke emnet ind i savklingen, og skær det aldrig med "frihånd".** Løse eller bevægelige emner kan blive udslynget med høj hastighed og forårsage personskader.
- d) **Skub saven igennem emnet. Undlad at trække saven igennem emnet. Man udfører en skæring først at løfte overdelen og trække denne hen over emnet uden at skære. Derefter tænder man motoren, svinger overdelen ned og skubber saven igennem emnet.** Ved trækkende skæring er der risiko for, at savklingen kravler op på emnet, hvorved savklingeenheden kastes ind mod operatøren.

- e) **Før aldrig hånden hen over den tilsigtede skærelinje, hverken foran eller bag savklingen.** Afstøtning af emnet "med krydsede hænder", dvs. at man holder emnet til højre for savklingen med venstre hånd, eller omvendt, er meget farligt.
- f) **Undlad at række hånden ind bag anslaget, mens savklingen roterer. Underskrid aldrig en sikkerhedsafstand på 100 mm mellem hånden og den roterende savklinge (dette gælder på begge sider af savklingen, f.eks. ved fjernelse af træaffald).** Du kan muligvis ikke se, hvor tæt din hånd er på den roterende savklinge, og du kan komme alvorligt til skade.
- g) **Kontrollér emnet inden skæringen. Hvis emnet er bøjet eller krummet, skal det fastspændes, så den side, der er krummet udad, vender ind mod anslaget. Sørg altid for, at der ikke er mellemrum mellem emnet, anslaget og bordet langs skærelinjen.** Bøjede eller krumme emner kan vride sig eller forskyde sig og bevirke, at den roterende savklinge sætter sig fast under skæringen. Der må ikke være søm eller fremmedlegemer i emnet.
- h) **Brug ikke saven, før bordet er fri for værktøj, træflis mv.; kun emnet må befinde sig på bordet.** Mindre skrotdele, løse træstykker eller andre genstande, som kommer i kontakt med den roterende savklinge, kan blive slynget bort med høj hastighed.
- i) **Der må altid kun skæres i ét emne ad gangen.** Stablede emner kan ikke fastspændes eller fastholdes ordentligt og kan bevirke, at klingens sætter sig fast eller skrider.
- j) **Sørg inden brug for, at gerings-/kapsaven står på en plan, fast arbejdsflade.** En plan og fast arbejdsflade reducerer risikoen for, at gerings-/kapsaven bliver ustabil.
- k) **Planlæg arbejdet. Når du justerer savklinge-hældningen eller geringsvinklen, skal du sørge for, at det justerbare anslag er justeret korrekt og understøtter emnet uden at komme i berøring med klingens eller beskyttelsesskærmen.** Uden at tænde maskinen og uden emner på bordet skal du simulere savklingens fulde skærebævegelse for at sikre dig, at klingens ikke går imod forhindringer eller skærer ind i anslaget.
- l) **For emner, der er bredere eller længere end bordoverfladen, skal du sørge for tilstrækkelig afstøtning f.eks. i form af bordforlængelser eller savbukke.** Emner, som er længere eller bredere end gerings-/kapsavens bord, kan vippe uden fast understøttelse. Hvis et afskåret stykke træ eller emnet vipper, kan det løfte den nederste beskyttelsesskærm eller blive slynget ukontrollabelt væk af den roterende klinge.
- m) **Benyt ikke andre personer som erstatning for bordforlængelse eller som yderligere afstøtning.** Ustabil understøtning af emnet kan medføre, at klingens sætter sig fast. Emnet kan også forskyde sig under skæringen og trække både dig og en evt. hjælper ind i den roterende klinge.
- n) **Det afskårne stykke må ikke presses ind mod den roterende savklinge.** Hvis der er begrænset plads, f.eks. hvis der bruges længdeanslag, kan det afskårne stykke kile sig fast sammen med klingens og blive slynget væk med voldsom kraft.
- o) **Brug altid en skruetvinge eller et egnet fikstur til korrekt understøttelse af rundt materiale såsom stænger eller rør.** Stænger har tendens til at rulle væk under skæringen, hvilket får klingens til at "bide sig fast", hvorved emnet inkl. din hånd kan blive trukket ind i klingens.
- p) **Vent, til klingens har nået den fulde hastighed, inden du skærer i emnet.** Dette reducerer risikoen for, at emnet slynget ud.
- q) **Hvis emnet fastklemmes, eller klingens sætter sig fast, skal man slukke for gerings-/kapsavens. Vent, til alle bevægelige dele er stoppet; træk lysnetstikket ud, og/eller fjern batteriet. Fjern herefter det fastklemte materiale.** Hvis man siver videre efter en sådan blokering, risikerer man at miste kontrollen eller beskadige gerings-/kapsavens.
- r) **Når du har udført skæringen, skal du slippe kontakten, holde overdelen nede og vente på, at klingens stopper, før du fjerner det afskårne stykke.** Det er meget farligt at række hånden ind i nærheden af den stadigt roterende klinge.
- s) **Hold godt fast i håndtaget, hvis du udfører en ufuldstændig skæring, eller hvis du slipper kontakten, før overdelen har nået nederste yderposition.** På grund af savens bremseeffekt kan overdelen blive trukket brat ned, hvilket medfører risiko for personskade.

Sikkerhedsanvisninger vedrørende håndtering af savklinger

1. Anvend ikke beskadigede eller deformerede savklinger.
2. Anvend ikke savklinger med revner. Frasorter revnede savklinger. Reparation er ikke tilladt.
3. Anvend ikke savklinger, der er fremstillet af hurtigstål.
4. Kontrollér savklingernes tilstand, inden du benytter kaps- og tværsaven.
5. Anvend kun savklinger, der er egnet til det materiale, der skal skæres.
6. Anvend kun savklinger, der er foreskrevet af producenten. Savklingerne skal opfylde EN 847-1, hvis de skal benyttes til bearbejdning af træ eller lignende materialer.
7. Anvend ikke savklinger af højlegeret hurtigstål (HSS).
8. Anvend kun savklinger, hvis maks. tilladte omdrejningstal ikke er lavere end kaps- og tværsavens maks. spindelomdrejningstal, og som er egnet til det materiale, der skal skæres i.
9. Vær opmærksom på savklingens omløbsretning.
10. Du må kun montere savklinger, hvis du har erfaring med dette.
11. Overhold det maks. omdrejningstal. Det maks. omdrejningstal, der er angivet på savklingen, må ikke overskrides. Overhold omdrejningstalområdet, hvis et sådant er angivet.
12. Rengør spånfladerne for snavs, fedt, olie og vand.
13. Brug ikke løse reduceringsringe eller -bøsninger til at reducere borer på savklinger.
14. Sørg for, at fastgjorte reduceringsringe til at sikre savklingen har den samme diameter og mindst 1/3 af snitdiametere.

15. Sørg for, at de fastgjorte reduceringsringe er indbyrdes parallelle.
16. Omgå savklinger med forsigtighed. De skal så vidt muligt opbevares i den originale emballage eller specielle beholdere. Brug beskyttelseshandsker for at forbedre gribesikkerheden og reducere risikoen for personskader.
17. Sørg for, at alle beskyttelseskærme er fastgjort korrekt, før savklingerne bruges.
18. Kontrollér før brug, at den anvendte savklinge opfylder de tekniske krav, der gælder for denne bordrundsav, og at den er monteret korrekt.
19. Brug kun den medfølgende savklinge til at skære i træ; aldrig i metal.
20. Anvend kun savklinger med en diameter, der svarer til specifikationerne på saven.
21. Anvend de ekstra emnesupporter, hvis dette er nødvendigt af hensyn til emnets stabilitet.
22. Emnesupportens forlængelser skal altid være monteret og anvendt under arbejdet.
23. Udskift det slidte bordindlæg!
24. Undgå overophedning af savtænderne.
25. Når der saves i kunststoffer, skal man undgå, at disse smelter.
Brug de rigtige savklinger til dette. Udskift de beskadigede eller slidte savklinger rettidigt.
Hvis savklingen overophedes, skal du stoppe maskinen. Lad savklingen køle af, før du genstarter arbejdet.



Pas på: Laserstråling
Kig ikke ind i strålen
Laserklasse 2



Beskyt dig og dine omgivelser mod fare for uheld ved at træffe egnede sikkerhedsforanstaltninger!

- Kig ikke direkte ind i laserstrålen med ubeskyttede øjne.
- Kig aldrig direkte ind i strålen.
- Ret aldrig laserstrålen mod reflekterende overflader og personer eller dyr. Også en laserstråle med ringe ydelse kan føre til øjenskader.
- Vær forsigtig - udføres der procedurer, der afviger fra dem, der er angivet her, kan dette føre til en farlig strålingseksponering.
- Åbn aldrig lasermodulet. Dette kan føre til uventet stråleeksponering.
- Laseren må ikke erstattes med en laser af en anden type.
- Laseren må kun repareres af laserproducenten eller af en autoriseret repræsentant

Tilbageværende risici

Elværktøjet er bygget efter nyeste tekniske niveau og de anerkendte sikkerhedstekniske regler. Alligevel kan der være tilbageværende risici under driften.

- Sundhedsfare som følge af strøm, hvis der bruges elektriske tilslutningsledninger, der ikke lever op til gældende regler.

- Desuden kan der være ikke-åbenbare tilbageværende risici, selv om alle foranstaltninger er truffet.
- Restrisici kan reduceres til et minimum, hvis "Sikkerhedsanvisningerne" og "Tilsigtet brug" samt betjeningsvejledningen overholdes.
- Undlad at belaste maskinen unødigt: Et for kraftigt tryk under savningen kan hurtigt beskadige savklingen, hvilket medfører en kapacitetsforringelse for maskinen under arbejdet og forringet skærenøjagtighed.
- Ved skæring af plastmateriale skal du altid bruge klemmer: De dele, der skal saves, skal altid fastgøres mellem klemmerne.
- Undgå utilsigtet igangsætning af maskinen: Når stikket sættes i stikkontakten, må Start-knappen ikke være trykket ind.
- Brug det værktøj, der anbefales i denne håndbog. Derved opnår du, at maskinen kører med optimal ydeevne.
- Hold hænderne væk fra arbejdsområdet, når maskinen er i drift.
- Før der gennemføres indstillings- eller vedligeholdelsesarbejde, slip da starttasten, og træk lysnetstikket ud.

Advarsel!

Dette elektriske værktøj genererer et elektromagnetisk felt under drift. Dette felt kan forringe aktive eller passive medicinske implantater under visse betingelser. For at forebygge risikoen for alvorlige eller dødelige kvæstelser, anbefaler vi, at personer med medicinske implantater rådføre sig med egen læge og producenten af det medicinske implantat, før betjening af elektrisk værktøj.

7. Tekniske data

| | |
|---|------------------------|
| Vekselstrømsmotor | 220 - 240 V~ 50 Hz |
| Nominal effekt S1 | 1700 Watt |
| Driftsform | S6 25%* 2000W |
| Tomgangshastighed n ₀ | 4800 min ⁻¹ |
| Hårdmetalsavklinge | ∅ 210 x ∅ 30 x 2,6 mm |
| Antal tænder..... | 24 |
| Maks. tandbredde for savklingen | 3 mm |
| Svingområde | -45° / 0° / +45° |
| Geringsskæring..... | 0° til 45° til venstre |
| Savebredde ved 90° | 340 x 65 mm |
| Savebredde ved 45° | 240 x 65 mm |
| Savebredde ved 2 x 45° (dobbeltgeringsskæring)..... | 240 x 38 mm |
| Kapslingsklasse | II / □ |
| Vægt..... | ca. 12,15 kg |
| Laserklasse..... | 2 |
| Aksellængde laser..... | 650 nm |
| Effekt laser | < 1 mW |

* Driftsform S6, uafbrudt, periodisk drift. Driften består af en starttid, en tid med konstant belastning og en tomgangstid. Spilvarigheden er 10 min, den relative driftstid er 25% af spilvarigheden.

Emnet skal som minimum have en højde på 3 mm og en bredde på 10 mm.

Sørg for, at emnet altid sikres med spændeanordningen.

Støj

Støjværdierne er bestemt iht. EN 62841.

Lydtryksniveau L_{pA} 96,5 dB(A)

Usikkerhed K_{pA} 3 dB

Lydeffektniveau L_{WA} 109,5 dB(A)

Usikkerhed K_{WA} 3 dB

Brug høreværn.

Støjpåvirkning kan føre til tab af hørelse.

De angivne støjemissionsværdier er blevet målt iht. en standardiseret prøvningsmetode og kan bruges til at sammenligne et elværktøj med et andet.

De angivne støjemissionsværdier kan også bruges til at gennemføre en indledende vurdering af belastningen.

Advarsel:

- Støjemissionsværdierne kan afvige fra den angivne værdi, når elværktøjet rent faktisk bruges, afhængigt af hvordan elværktøjet bruges, og af, hvilken type emne der bearbejdes.
- Forsøg at holde belastningen så lav som mulig. Eksempelvis ved at begrænse arbejdstiden. I denne forbindelse skal der tages højde for alle dele af driftscyklussen (f.eks. tider, hvor elværktøjet er slukket, og tider, hvor det godt nok er tændt, men hvor det kører uden belastning).

8. Før ibrugtagning

- Åbn emballagen og fjern enheden forsigtigt.
- Fjern emballagematerialet samt emballering og transportafstivning (hvis tilstede).
- Kontrollér, at leverancen er komplet.
- Kontrollér enheden og tilbehørsdele for transportskader.
- Hvis det er muligt, så gem emballagen, indtil garantiperioden er udløbet.

OBS

Enheden og emballagematerialer er ikke legetøj! Børn bør ikke have lov til at lege med plastposer, film og små dele! Der er risiko for slugning og kvælning!

- Maskinen skal opstilles stabilt. Maskinen skal fastgøres til en arbejdsbænk, et understativ el.lign. ved at indsætte de 4 skruer (medfølger ikke) i borerne i det faste savbord (15). Spænd skruerne fast.
- Den forinstallerede kipsikring (36) på undersiden af saven løsnes, trækkes helt ud og sikres igen med unbrakonøglen (D).
- Indstil justeringsskruen (38) i niveau med bordpladen for at undgå, at maskinen vipper.
- Før maskinen tages i brug, skal alle skærme og sikkerhedsanordninger være monteret korrekt.
- Savklingen skal kunne køre frit.
- Ved forarbejdet træ skal man være opmærksom på fremmedlegemer som f.eks. søm eller skruer mv.
- Sørg for, at savklingen er monteret korrekt, og at bevægelige dele går ubesværet, inden du aktiverer Tænd/Sluk-kontakten.

- Kontrollér, at dataene på typeskiltet stemmer overens med lysnetdataene, før maskinen tilsluttes.

8.1 Kontrol af sikkerhedsanordningen bevægelig savklingebeskyttelse (5)

Savklingebeskyttelsen beskytter mod kontakt med savklingen og mod udslyngede spåner.

Kontrollér funktionen

Dette gøres ved at klappe saven ned:

- Savklingebeskyttelsen skal frigive savklingen under nedsvingningen, uden at berøre andre dele.
- Når saven klappes op i udgangsstilling, skal savklingebeskyttelsen automatisk tildække savklingen.

9. Opbygning

9.1 Opbygning af kap- og tværsav (fig. 1/2/4)

- Til justering af drejebordet (14) løsner man håndtaget (11) ca. 2 omgange og trækker låsestillingshåndtaget (35) op med pegefingeren.
- Drej drejebordet (14) og markøren (12) til det ønskede vinkelmål på skalaen (13), og fastgør dem med håndtaget (11).
- Tryk maskinoverdelen (4) en smule nedad. Via samtidig udtrækning og drejning af låsebolten (23) fra motorholderen frigøres saven fra nederste stilling.
- Drej låsebolten (23) 90 grader for at fiksere denne i den frigivne position.
- Sving maskinens overdel (4) op.
- Spændeanordningerne (7) kan både fastgøres til venstre og højre på det faste savbord (15). Sæt spændeanordningerne (7) i de dertil beregnede borer på bagsiden af anlagskinnen (16), og sikr dem med stjernegrebskruerne (7a). Ved geringsskæring 0°- 45° skal spændeanordningen (7) kun monteres i den ene (højre) side (se fig. 11-12).
- Maskinens overdel (4) kan vippes til maks. 45° mod venstre ved at løsne låseskruen (22).
- Emnesupporterne (8) skal altid være monteret og anvendt under arbejdet. Indstil den ønskede udlægning ved at løsne låseskruen (9). Spænd derefter låseskruen (9) fast igen.

9.2 Spånpose (fig. 1/22)

Saven er udstyret med en spånpose (17) til spåner.

Pres metalringfløjen på spånposen (17) sammen, og anbring posen i motorområdet udgangsåbning.

Spånposen (17) kan tømmes ved at åbne lynlåsen på undersiden.

9.2.1 Tilslutning af en ekstern støvudsugningsanordning

- Tilslut sugeslangen til støvudsugningsudstyret.
- Støvudsugningsanordningen skal være egnet til det materiale, der bearbejdes.
- Brug en speciel udsugningsanordning til udsugning af særligt sundhedsskadeligt eller kræftfremkaldende støv.

9.3 Finjustering af anlaget til kapskæring 90° (fig. 1/2/5/6)

Værktøj, der er brug for:

- Unbrakonøgle 6 mm
- Gaffelnøgle SW13 (medfølger ikke i leveringsomfanget)

- **Anslagsvinkel medfølger ikke.**
- Sænk overdelen (4), og fikser den med låsebolten (23).
- Løsn låseskruen (22).
- Anbring anslagsvinklen (A) mellem savklingen (6) og drejebordet (14).
- Løsn kontramøtrikken (26a).
- Juster justerskruen (26), til vinklen mellem savklingen (6) og drejebordet (14) er 90°.
- Spænd kontramøtrikken (26a) fast igen.
- Kontrollér derefter vinkelviserens position. Om nødvendigt løsnes markøren (19) med en stjerneskruestrækker og sættes på 0°-position på skalaen (18), og holdeskruen spændes fast igen.

9.4 Finjustering af anslaget til geringsskæring 45° (fig. 1/2/5/9/10)

Værktøj, der er brug for:

- Unbrakonøgle 6 mm
- Gaffelnøgle SW13 (medfølger ikke i leveringsomfanget)

- **Anslagsvinkel medfølger ikke.**
- Sænk overdelen (4), og fikser den med låsebolten (23).
- Fikser drejebordet (14) i 0°-stilling.
- **Pas på!**
Den forskydelige anslagsskinne (16a) skal til geringsskæring (vippest savehoved) fikses i den yderste position. (**Venstre side**).
- Løsn låseskruen (16b) på den forskydelige anslagsskinne (16a), og skub den forskydelige anslagsskinne (16a) udad.
- De forskydelige anslagsskinne (16a) skal fastlåses således, at afstanden mellem anslagsskinne (16a) og savklingen (6) er min. 8 mm.
- Den forskydelige anslagsskinne (16a) skal være i den inderste position (**Højre side**).
- Kontrollér før skæring, at der ikke er risiko for kollision mellem anslagsskinne (16a) og savklingen (6).
- Løsn låseskruen (22), og vip maskinens overdel (4) med håndtaget (1) til venstre, til 45°.
- Anbring 45°-anslagsvinkel (B) mellem savklingen (6) og drejebordet (14).
- Løsn kontramøtrikken (27a) og justeringsskruen (27), juster vinklen mellem savklingen (6) og drejebordet (14) er nøjagtig 45°.
- Spænd kontramøtrikken (27a) fast igen.
- Kontrollér derefter vinkelviserens position. Om nødvendigt løsnes markøren (19) med en stjerneskruestrækker og sættes på 45°-position på skalaen (18), og holdeskruen spændes fast igen.

10. Betjening

10.1 Drift af laser (fig. 18)

- **Tænding:** Tryk på Tænd/Sluk-knap laser (33) 1 gang. Der projiceres en laserlinje på det emne, der skal bearbejdes, og denne linje viser den nøjagtige skærelinje.
- **Sluk:** Tryk på Tænd/Sluk-knap laser (33) igen.

10.2 Skæredybdebegrænsning (savning af rille) (fig. 3/13)

⚠ ADVARSEL

Fare for tilbageslag! Når der fremstilles riller, er det særligt vigtigt, at der ikke udøves tryk mod siden af savklingen. Savehovedet kan da ellers pludseligt slå op! Ved fremstilling af riller skal man benytte en spændeanordning. Undgå trykpåvirkning mod siden af savehovedet.

- Ved hjælp af skruen (24) kan skæredybden indstilles trinløst. Til det formål løsnes fingermøtrikken på skruen (24a). Indstil den ønskede skæredybde ved at dreje skruen (24) ind eller ud. Spænd derefter igen fingermøtrikken (24a) på skruen (24).
- Kontrollér indstillingen ud fra en prøveskæring.

10.3 Seriesnit

Til gentagne snit med samme længde kan længdeanslaget (37) klappes op. Man kan bruge længdeanslaget (37) på højre og på venstre side.

- Klap længdeanslaget (37) op.
- Løsn låseskruen for emnesupporten (9).
- Træk emnesupporten (8) ud.
- Indstil det ønskede mål mellem savklingen og længdeanslaget (37).
- Spænd låseskruen for emnesupporten (9) fast igen.
- Udfør snittene som beskrevet under 10.4 til 10.7.

10.4 Kapskæring 90° og drejebord 0° (fig. 1/2/7)

Ved skærebredde på op til ca. 100 mm kan savens trækfunktion fikses i den bageste position med låseskruen (20). I denne position kan saven køre i kap-drift. Skulle skæringsbredden være over 100 mm, skal man sørge for, at låseskruen (20) er løs, og at maskinens overdel (4) kan bevæges.

Pas på!

De forskydelige anslagsskinne (16a) skal til 90°-kapskæring fikses i den inderste position.

- Åbn låseskrue (16b) på de forskydelige anslagsskinne (16a), og skub de forskydelige anslagsskinne (16a) indad.
- De forskydelige anslagsskinne (16a) skal fastlåses således, at afstanden mellem anslagsskinne (16a) og savklingen (6) er maks. 8 mm.
- Kontrollér før skæring, at der ikke er risiko for kollision mellem anslagsskinne (16a) og savklingen (6).
- Spænd låseskrue (16b) til igen.
- Bring maskinens overdel (4) i øverste position.
- Skub maskinens overdel bagud (4) med håndtaget (1), og fikser det evt. i denne position (afhængig af skæringsbredden).
- Læg det træ, der skal skæres, an mod anslagsskinne (16) og på drejebordet (14).
- Fasthold materialet med spændeanordningen (7) på det faste savbord (15) for at forhindre, at emnet forskyder sig under skæringen.
- Løsn spærrekontakten (3), og tryk på Tænd/Sluk-knappen (2) for at starte motoren.
- **Ved fikseret trækføring (21):** Bevæg maskinens overdel (4) jævnt og med et let tryk nedad med håndtaget (1), til savklingen (6) har gennemskåret emnet.

- **Ved ikke-fikseret trækføring (21):** Træk maskinens overdel (4) helt frem. Sænk håndtaget (1) jævnt i bund med et let tryk. Skub nu overdelen (4) langsomt og jævnt helt bagud, til savklingen (6) har gennemskåret emnet fuldstændigt.
- Efter afslutning af skæringen bringes overdelen igen i den øverste hvilestilling, og Tænd/Sluk-knappen (2) slippes.

Pas på! Ved hjælp af returfederen slår maskinen automatisk ad. Slip ikke håndtaget (1) efter skæringen, men bevæg overdelen langsomt og med et let modtryk opad.

10.5 Kapskæring 90° og drejebord 0° - 45° (fig. 1/7/8)

Med kap- og tværsaven kan der foretages kapskæringer fra venstre og højre på 0°-45° i forhold til anslagsskinne.

Pas på!

Den forskydelige anslagsskinne (16a) skal til 90°-kapskæring fikseres i den inderste position.

- Åbn låseskruen (16b) på den forskydelige anslagsskinne (16a), og skub anslagsskinne (16a) indad.
- De forskydelige anslagsskinne (16a) skal fastlåses således, at afstanden mellem anslagsskinne (16a) og savklingen (6) er min. 8 mm.
- Kontrollér før skæring, at der ikke er risiko for kollision mellem anslagsskinne (16a) og savklingen (6).
- Spænd låseskruen (16b) igen.
- Løsn håndtaget (11), hvis dette er drejet fast. Træk låsestillingshåndtaget (35) opad med pegefingeren. Indstil drejebordet (14) i den ønskede vinkel ved hjælp af håndtaget (11).
- Markøren (12) på drejebordet skal stemme overens med det ønskede vinkelmål på skalaen (13) på det faste savbord (15).
- Spænd håndtaget (11) igen for at fikse drejebordet (14).
- Udfør skæringen som beskrevet i punkt 10.4.

10.6 Geringsskæring 0°- 45° og drejebord 0° (fig. 1/2/11)

Med kap- og tværsaven kan der foretages geringsskæring til venstre på 0°- 45° i forhold til arbejdsfladen.

Pas på!

Den forskydelige anslagsskinne (16a) skal til geringsskæring (vipet savehoved) fikseres i den yderste position. (**Venstre side**).

- Løsn låseskruen (16b) på den forskydelige anslagsskinne (16a), og skub den forskydelige anslagsskinne (16a) udad.
- De forskydelige anslagsskinne (16a) skal fastlåses således, at afstanden mellem anslagsskinne (16a) og savklingen (6) er min. 8 mm.
- Den forskydelige anslagsskinne (16a) skal være i den inderste position (**Højre side**).
- Kontrollér før skæring, at der ikke er risiko for kollision mellem anslagsskinne (16a) og savklingen (6).
- Spænd låseskruen (16b) igen.
- Bring maskinens overdel (4) i den øverste stilling.
- Fikser drejebordet (14) i 0°-stilling.
- Løsn låseskruen (22). Vip overdelen (4) mod venstre med håndtaget (1), til markøren (19) peger på det ønskede vinkelmål på skalaen (18).
- Spænd låseskruen (22) igen.
- Gennemfør skæringen som beskrevet i punkt 10.4.

10.7 Geringsskæring 0°- 45° og drejebord 0°- 45° (fig. 1/2/4/12)

Med kap- og tværsaven kan der foretages geringsskæringer mod venstre på 0°- 45° i forhold til arbejdsfladen og samtidigt på 0°- 45° i forhold til anslagsskinne (dobbeltgeringsskæring).

Pas på!

Den forskydelige anslagsskinne (16a) skal til geringsskæring (vipet savehoved) fikseres i den yderste position. (**Venstre side**).

- Løsn låseskruen (16b) på den forskydelige anslagsskinne (16a), og skub den forskydelige anslagsskinne (16a) udad.
- De forskydelige anslagsskinne (16a) skal fastlåses således, at afstanden mellem anslagsskinne (16a) og savklingen (6) er min. 8 mm.
- Kontrollér før skæring, at der ikke er risiko for kollision mellem anslagsskinne (16a) og savklingen (6).
- Spænd låseskruen (16b) igen.
- Bring maskinens overdel (4) i den øverste stilling.
- Løsn drejebordet (14) ved at løsne håndtaget (11).
- Indstil med grebet (11) drejebordet (14) til den ønskede vinkel (se også punkt 10.5).
- Spænd håndtaget (11) igen for at fikse drejebordet.
- Løsn låseskruen (22).
- Vip med håndtaget (1) overdelen (4) mod venstre til det ønskede vinkelmål (se også punkt 10.6).
- Spænd låseskruen (22) igen.
- Udfør skæringen som beskrevet i punkt 10.4.

11. Vedligeholdelse

⚠ Advarsel! Træk lysnetstikket ud, før der foretages indstillings-, vedligeholdelses- eller reparationsarbejde!

11.1 Generelle vedligeholdelsesforanstaltninger

Fra tid til anden skal man tørre spåner og støv af maskinen. For at forlænge værktøjets levetid bør man smøre de roterende dele en gang om måneden. Undlad at smøre motoren. Undgå brug af ætsende midler til rengøring af kunststoffet.

11.2 Rengøring af sikkerhedsanordningen bevægelig savklingebeskyttelse (5)

Inden hver ibrugtagning skal man kontrollere savklingebeskyttelsen for forurening.

Fjern gamle savspåner og træsplinter ved hjælp af en børste eller et tilsvarende egnet værktøj.

11.3 Skift bordindlæg

Fare!

Er bordindlægget (10) beskadiget, risikerer man, at mindre genstande kan klemme sig fast mellem bordindlægget og savklingen og blokere sidstnævnte. **Udskift da straks de beskadigede bordindlæg!**

1. Skru skrueerne ud af bordindlægget. Drej evt. drejebordet, og stil overdelen på skrå, så du kan få adgang til skrueerne.
2. Fjern bordindlægget.
3. Indsæt nyt bordindlæg.
4. Spænd skrueerne i bordindlægget fast.

11.4 Børsteinspektion

Kontrollér kulbørsterne på en ny maskine efter de første 50 driftstimer, eller hver gang der er monteret nye børster. Efter den første kontrol skal kontrollen gentages for hver 10 driftstimer.

Hvis kulstoffet er slidt over en længde på 6 mm, fjederen eller shuntråden er brændt eller beskadiget, skal begge børster udskiftes. Hvis man efter at have afmonteret børsterne konstaterer, at de er gode nok, kan de genmonteres.

Man vedligeholder kulbørsterne ved at dreje de to låsemekanismer (som vist i fig. 21) imod urets retning. Fjern herefter kulbørsterne.

Sæt kulbørsterne ind igen i omvendt rækkefølge.

11.5 Udskiftning af savklinge (fig. 1/2/14-17)

Træk lysnetstikket ud!

Pas på!

Brug beskyttelseshandsker ved udskiftning af savklingen! Fare for tilskadekomst!

- Sving overdelen (4) op, og fastlås den med låsebolten (23).
- Løsn fastgørelsesskruen (5a) på afdækningen med en stjerneskrueetrækker.

ADVARSEL!

Denne skrue skal ikke skrues helt ud.

- Klap savklingebeskyttelsen (5) så langt op, at den (5) befinder sig over flangeskruen (28).
- Sæt med den ene hånd unbrakonøglen (C) på flangeskruen (28).
- Hold fast i unbrakonøglen (C), og luk langsomt savklingebeskyttelsen (5), til denne er ved unbrakonøglen (C).
- Tryk savakselspærringen (30) fast, og drej langsomt flangeskruen (28) i urets retning. Efter maks. én omdrejning går savakselspærringen (30) i indgreb.
- Løsn nu flangeskruen (28) ved at dreje den i urets retning med mere kraft.
- Skru flangeskruen (28) helt ud, og tag yderflangen (29) af.
- Tag savklingen (6) af inderflangen (31), og træk den ned og ud.
- Rengør flangeskruen (28), yderflangen (29) og inderflangen (31) omhyggeligt.
- Indsæt den nye savklinge (6) igen i omvendt rækkefølge, og spænd det fast.
- Klap savklingeværnet (5) ned, indtil savklingeværnet (5) hænger i fastgørelsesskruen (5a).
- Spænd fastgørelsesskruen (5a) fast igen.

Pas på!

Efter hver udskiftning af savklingen skal det kontrolleres, om savklingen (6) er vipet i lodret stilling og til 45°, og at den kører frit i bordindlægget (10).

Pas på!

Udskiftning og justering af savklingen (6) skal udføres korrekt.

11.6 Justering af laseren (fig. 19-20)

Såfremt laseren (32) ikke mere viser den korrekte skærelinje, kan den efterjusteres. Dette gøres ved at løsne skrueerne (32b) og fjerne den forreste afdækning (32a). Løsn stjerneskrueerne (E). Indstil laseren ved at forskyde den sideværts, så laserstrålen rammer tænderne på savklingen (6).

Når du har justeret laseren og spændt den fast, skal du montere den forreste afdækning og spænde de to skrue (32b) håndfast til.

Maskinen skal tilsluttes strømnettet til justering af laseren.

Pas på!

Under justeringen af laseren må man under ingen omstændigheder trykke på Tænd/Sluk-kontakten (2). Fare for personskade!

11.7 Serviceinformationer

Vær opmærksom på, at følgende dele på produktet slides som følge af brug eller udsættes for naturligt slid resp. at følgende dele anses som forbrugsmaterialer.

Sliddele*: Kulbørster, savklinge, bordindlæg (art.-nr. 5901215010), spånpose

* er ikke nødvendigvis indeholdt i leveringsomfanget!

12. Transport

- Spænd håndtaget (11) for at låse drejebordet (14).
- Pres overdelen (4) ned, og fastlås den med låsebolten (23). Saven er nu låst i den nederste stilling.
- Fikser savens trækfunktion med låseskruen til trækføringen (20) i den bageste position.
- Bær maskinen i det faste savbord (15).
- Ny opstilling af maskinen sker som beskrevet i kapitel 8 og 9.

13. Opbevaring

Enheden og dennes tilbehør skal opbevares mærkt, tørt og frostsikkert og utilgængeligt for børn. Den optimale opbevaringstemperatur er mellem 5 og 30°C.

Opbevar elværktøjet i den originale emballage.

Tildæk elværktøjet for at beskytte det mod støv eller fugt.

Opbevar betjeningsvejledningen sammen med elværktøjet.

14. Elektrisk forbindelse

Den installerede elektriske motor er tilsluttet og klar til drift. Forbindelsen er i overensstemmelse med de gældende VDE- og DIN-bestemmelser. Kundens nettilslutning, samt de forlængerledninger der anvendes, skal også overholde disse regler.

- Produktet opfylder EN 61000-3-11-standarden og er underlagt særlige betingelser vedrørende tilslutning. Det vil sige, at anvendelse via vilkårligt udvalgte tilslutningssteder ikke er tilladt.
- Ved ugunstige netforhold kan maskinen forårsage forbigående spændingsvariation.
- Produktet er udelukkende beregnet til brug på tilslutningspunkter, der kræver følgende forudsætninger:
 - a) En maks. godkendt netimpedans "Z" ($Z_{\max} = 0,339 \Omega$) må ikke overskrides.

b) Nette skal have en varig strømbelastbarhed på mindst 100 A pr. fase.

- Du skal som bruger sikre, at det tilslutningspunkt, hvorfra du benytter produktet, opfylder mindst det ene af de to ovennævnte krav a) eller b). Kontakt evt. dit energiforsyningselskab.

Vigtig information

I tilfælde af en overbelastning vil motoren slukkes. Efter en nedkølingsperiode (varierer) kan motoren tændes igen.

Beskadiget elektrisk tilslutningskabel

Isoleringen på elektriske tilslutningskabler er ofte beskadiget.

Dette kan have følgende årsager:

- Passagesteder, hvor tilslutningskabler føres gennem vinduer eller døre.
- Snoninger hvor tilslutningskablet er fastgjort eller ført forkert.
- Steder hvor tilslutningskablerne er blevet skåret over på grund af, at de er blevet kørt over.
- Isoleringsskader som følge af at blive flået ud af stikkontakten.
- Revner på grund af isoleringens ældning.

Sådanne beskadigede elektriske tilslutningskabler må ikke bruges, og er livstruende på grund af isoleringsskader.

Kontrollér det elektriske tilslutningskabel regelmæssigt for skader. Sørg for, at tilslutningskablet ikke hænger på el-nettet under inspektionen.

Elektriske tilslutningskabler skal være i overensstemmelse med de gældende VDE- og DIN-bestemmelser. Brug kun forbindelseskabler med den samme markering.

Trykningen af typebetegnelsen på tilslutningskablet er obligatorisk.

Hvis netttilslutningsledningen til denne maskine bliver beskadiget, skal den erstattes af en særlig tilslutningsledning, der fås hos producenten eller dennes kundeservice.

AC motor:

Netspændingen skal være 220 - 240 V~.

- Forlængerledninger op til 25 m skal have et tværsnit på 1,5 mm².

Tilslutninger og reparationer af elektrisk udstyr må kun udføres af en elektriker.

Giv følgende oplysninger i tilfælde af eventuelle forespørgsler:

- Typen af strøm til motoren
- Maskindata – typeskiltet

15. Bortskaffelse og genbrug

Udstyret leveres i emballage for at forhindre det i at blive beskadiget under transporten. Råvarerne i denne emballage kan genbruges eller genanvendes.

Udstyret og dets tilbehør er lavet af forskellige typer af materialer, såsom metal og plast. Defekte komponenter skal bortskaffes som farligt affald. Spørg din forhandler eller din kommune.



Emballagen består af miljøvenlige materialer, der kan bortskaffes på lokale genbrugsstationer.

Information om muligheder for bortskaffelse af brugt udstyr fås ved henvendelse til kommunen.

Gamle apparater må ikke smides ud sammen med det almindelige husholdningsaffald!



Dette symbol gør opmærksom på, at dette produkt ikke må smides ud sammen med det almindelige husholdningsaffald iht. WEEE-direktiv (2012/19/EU) og nationale love. Dette produkt skal afleveres til udvalgte samlesteder. Dette kan gøres f.eks. ved at returnere det i forbindelse med køb af et lignende produkt eller ved at aflevere det til et autoriseret samlested, hvor gamle elektriske og elektroniske apparater genbruges. Forkert håndtering af gamle apparater kan have negative følger for miljøet og menneskers sundhed, fordi disse evt. er fremstillet af farlige stoffer, der ofte findes i gamle elektriske og elektroniske apparater. Den korrekte bortskaffelse af produktet bidrager desuden til en effektiv udnyttelse af naturlige ressourcer. Informationer om samlesteder for gamle apparater fås ved henvendelse til kommunen, de offentlige organer til bortskaffelse af affald, et autoriseret sted til bortskaffelse af gamle elektriske og elektroniske apparater eller renovationen.

16. Afhjælpning af fejl

| Fejl | Mulig årsag | Afhjælpning |
|---|--|--|
| Motor fungerer ikke | Motor, kabel eller stik defekt, lysnetsikringer sprunget. | Få maskinen kontrolleret af en fagmand. Du må aldrig selv reparere motoren. Fare! Kontrollér lysnetsikringerne, og udskift dem efter behov |
| Motoren starter langsomt og når ikke op på driftshastighed. | Spænding for lav, viklinger beskadiget, kondensator brændt sammen. | Få spændingen kontrolleret af en elinstallatør. Få motoren kontrolleret af en fagmand. Få kondensatoren udskiftet af en fagmand. |
| Motor støjer for meget. | Viklinger beskadiget, motor defekt. | Få motoren kontrolleret af en fagmand. |
| Motoren når ikke op på fuld ydeevne. | Strømkredse i lysnetanlægget overbelastet (lamper, andre motorer mv.). | Undlad at tilslutte andre enheder eller motorer til samme strømkreds. |
| Motor bliver let overophedet. | Overbelastning af motor, utilstrækkelig køling af motor. | Undgå, at motoren overbelastes under skæringen, fjern støv fra motoren, så der sikres optimal køling af motoren. |
| Skæringen er ru eller bølget. | Savklinge uskarp, tandform ikke egnet til materialetykkelsen. | Opslib savklingen, eller benyt egnet savklinge. |
| Emne rives op eller splintrer. | Skæringstryk for højt, eller savklinge ikke egnet til formålet. | Benyt egnet savklinge. |

17. Garantibevis

Kære kunde,

Alle vores produkter gennemgår strenge kvalitetskontrol for at sikre, at de når dig i perfekt stand. I det usandsynlige tilfælde, at enheden udvikler en fejl, bedes du kontakte vores serviceafdeling på den adresse, der vises på dette garantibevis. Selvfølgelig, hvis du foretrækker at ringe til os så er vi også glade for at tilbyde vores bistand under servicenummer trykt nedenfor. Bemærk følgende betingelser, som garantikrav kan gøres:

- Disse garanti vilkår omfatte yderligere garanti rettigheder og påvirker ikke dine lovbestemte rettigheder for garanti. Vi vil ikke debitere dig for denne garanti.
- Vores garanti dækker kun problemer forårsaget af materiale- eller produktionsfejl, og det er begrænset til afhjælpning af disse mangler eller udskiftning af enheden. Bemærk, at vores enheder ikke er designet til brug i kommercielle, handel eller industrielle applikationer. Derfor er garantien ugyldig, hvis udstyret bruges i kommerciel, handel eller industrielle applikationer eller for andre tilsvarende aktiviteter. Følgende er også udelukket fra vores garanti: kompensation for transportskader, skader forårsaget af manglende overholdelse af installations- / monteringsvejledning eller skader forårsaget af uprofessionel installation, manglende overholdelse brugsanvisningen (f.eks tilslutning til den forkerte netspænding eller strøm type), misbrug eller uhensigtsmæssig brug (såsom overbelastning af apparatet eller brug af ikke-godkendte værktøj eller tilbehør), manglende overholdelse af vedligeholdelses- og sikkerhedsforskrifter, indtrængen af fremmedlegemer i apparatet (f.eks sand, sten eller støv) , virkninger af vold eller ydre påvirkninger (f.eks skader forårsaget af enheden bliver droppet) og normal slitage som følge af korrekt funktion af apparatet.

Garantien erklæres ugyldig, hvis der gøres forsøg på at manipulere med enheden.

- Garantien er gyldig i en periode på 3 år fra købsdatoen af enheden. Garantikrav skal indsendes inden udløbet af perioden garanti senest to uger efter defekten blive bemærket. Ingen garantikrav vil blive accepteret efter udløbet af garantiperioden. Den oprindelige garantiperiode fortsat anvendelse til enheden, selvom reparationer udføres eller dele udskiftes. I sådanne tilfælde, det udførte arbejde eller dele monteret vil ikke resultere i en forlængelse af garantiperioden, og ingen ny garanti bliver aktiv for det udførte eller dele monteret arbejde. Dette gælder også, når der anvendes en tjeneste på stedet.
- For at du kan gøre dit garantikrav gældende, bedes du kontakte nedenstående serviceadresse. Hvis reklamationen ligger inden for garantiperioden, vil vi fremsende dig en returmærkat, med hvilken du gratis kan returnere dit defekte apparat til os. Det ville hjælpe os, hvis du kunne beskrive karakteren af problemet så detaljeret som muligt. Hvis fejlen er dækket af vores garanti så din enhed vil enten blive repareret med det samme og returneret til dig, eller vi vil sende dig en ny enhed.

Selvfølgelig er vi også glade tilbyde en afgiftsudløsende reparationservice for eventuelle mangler, der ikke er omfattet af anvendelsesområdet for denne garanti eller til enheder, som ikke længere er dækket. At drage fordel af denne service, skal du sende enheden til vores service-adresse.

Tjeneste-Hotline (DK):

+800 4003 4003
(0,00 €/Min.)

Tjeneste-mail (DK):

service.DK@schepach.com

Tjeneste Adresse (DK):

Sotek
Charlottevej 30 E
DK - 4270 Hong



På www.lidl-service.com kan du downloade disse og mange flere manualer, produktvideoer og installationssoftware.

Med QR-koden kan du få direkte adgang til Lidl-service-siden (www.lidl-service.com) og åbne din betjeningsvejledning ved at indtaste artikelnummeret (IAN) 338493_2007.

CE - Konformitätserklärung
Originalkonformitätserklärung
CE - Declaration of Conformity
Translation of the original EC declaration of conformity
CE - Déclaration de conformité
Traduction de la déclaration de conformité CE originale



scheppach Fabrikation von Holzbearbeitungsmaschinen GmbH, Günzburger Str. 69, D-89335 Ichenhausen

| | | | |
|----|---|----|--|
| DE | erklärt folgende Konformität gemäß EU-Richtlinie und Normen für den Artikel | PL | deklaruje, że produkt jest zgodny z następującymi dyrektywami UE i normami |
| GB | hereby declares the following conformity under the EU Directive and standards for the following article | LT | pareiškia, taip atitiktis pagal ES direktyvos ir standartai šį straipsnį |
| FR | déclare la conformité suivante selon la directive UE et les normes pour l'article | HU | az EU-irányelv és a vonatkozó szabványok szerinti következő megfeleléségi nyilatkozatot teszi a termékre |
| IT | dichiara la seguente conformità secondo le direttive e le normative UE per l'articolo | SI | izjavlja sledenco skladnost z EU-direktivo in normami za artikel |
| ES | declara la conformidad siguiente según la directiva la UE y las normas para el artículo | CZ | prohlašuje následující shodu podle směrnice EU a norem pro výrobek |
| PT | declara o seguinte conformidade com a Directiva da UE e as normas para o seguinte artigo | SK | prehlasuje nasledujúcu zhodu podľa smernice EU a noriem pre výrobok |
| DK | erklærer hermed, at følgende produkt er i overensstemmelse med nedenstående EUDirektiver og standarder | HR | ovime izjavljuje da postoji sukladnost prema EU-smjernica i normama za sljedeće artikle |
| NL | verklaart hierbij dat het volgende artikel voldoet aan de daarop betrekking hebbende EG-richtlijnen en normen | RS | potvrđuje sledeću usklađenost prema smernicama EZ i normama za artikal |
| FI | vakuuttaa täten, että seuraava tuote täyttää alla esitettyt EU-direktiivit ja standardit | RO | declară următoarea conformitate corespunzător directivelor și normelor UE pentru articolul |
| SE | försäkras härmed följande överensstämmelse enligt EU-direktiv och standarder för följande artikeln | BG | декларира съответното съответствие съгласно Дирек-тива на ЕС и норми за артикул |

Marke / Brand / Marque: **Parkside**
 Art.-Bezeichnung: **KAPP- UND ZUGSÄGE - PZKS 2000 B2**
 Article name: **SLIDING COMPOUND MITRE SAW - PZKS 2000 B2**
 Nom d'article: **SCIE À ONGLET RADIALE - PZKS 2000 B2**
 Art.-Nr. / Art. no. / Numéro d'article: **3901236974 - 3901236981; 39012369915 - 39012369916**
 Ident.-Nr. / Ident. no. / N° d'ident.: **01001 - 125541**

| | | | |
|--------------|---------------|--------------------|---|
| 2014/29/EU | 2004/22/EC | 89/686/EC_96/58/EC | 2000/14/EC_2005/88/EC |
| 2014/35/EU | 2014/68/EU | 90/396/EC | Annex V |
| X 2014/30/EU | X 2011/65/EU* | | Annex VI Noise: measured $L_{WA} = xx$ dB(A); guaranteed $L_{WA} = xx$ dB(A) P = xx KW; L/Ø = cm Notified Body: Notified Body No.: |
| X 2006/42/EC | | | 2010/26/EC Emission. No: |

Standard references:
EN 62841-1:2015; EN 62841-3-9:2015/A11:2017;
EN 55014-1:2017; EN 55014-2:2015; EN 61000-3-2:2014; EN 61000-3-11:2000

Die alleinige Verantwortung für die Ausstellung dieser Konformitätserklärung trägt der Hersteller.
 This declaration of conformity is issued under the sole responsibility of the manufacturer.
 Le fabricant assume seul la responsabilité d'établir la présente déclaration de conformité.

- * Der oben beschriebene Gegenstand der Erklärung erfüllt die Vorschriften der Richtlinie 2011/65/EU des Europäischen Parlaments und des Rates vom 8. Juni 2011 zur Beschränkung der Verwendung bestimmter gefährlicher Stoffe in Elektro- und Elektronikgeräten.
- * The object of the declaration described above fulfils the regulations of the directive 2011/65/EU of the European Parliament and Council from 8th June 2011, on the restriction of the use of certain hazardous substances in electrical and electronic equipment.
- * L'appareil décrit ci-dessus dans la déclaration est conforme aux réglementations de la directive 2011/65/EU du Parlement Européen et du Conseil du 8 juin 2011 visant à limiter l'utilisation de substances dangereuses dans la fabrication des appareils électriques et électroniques.

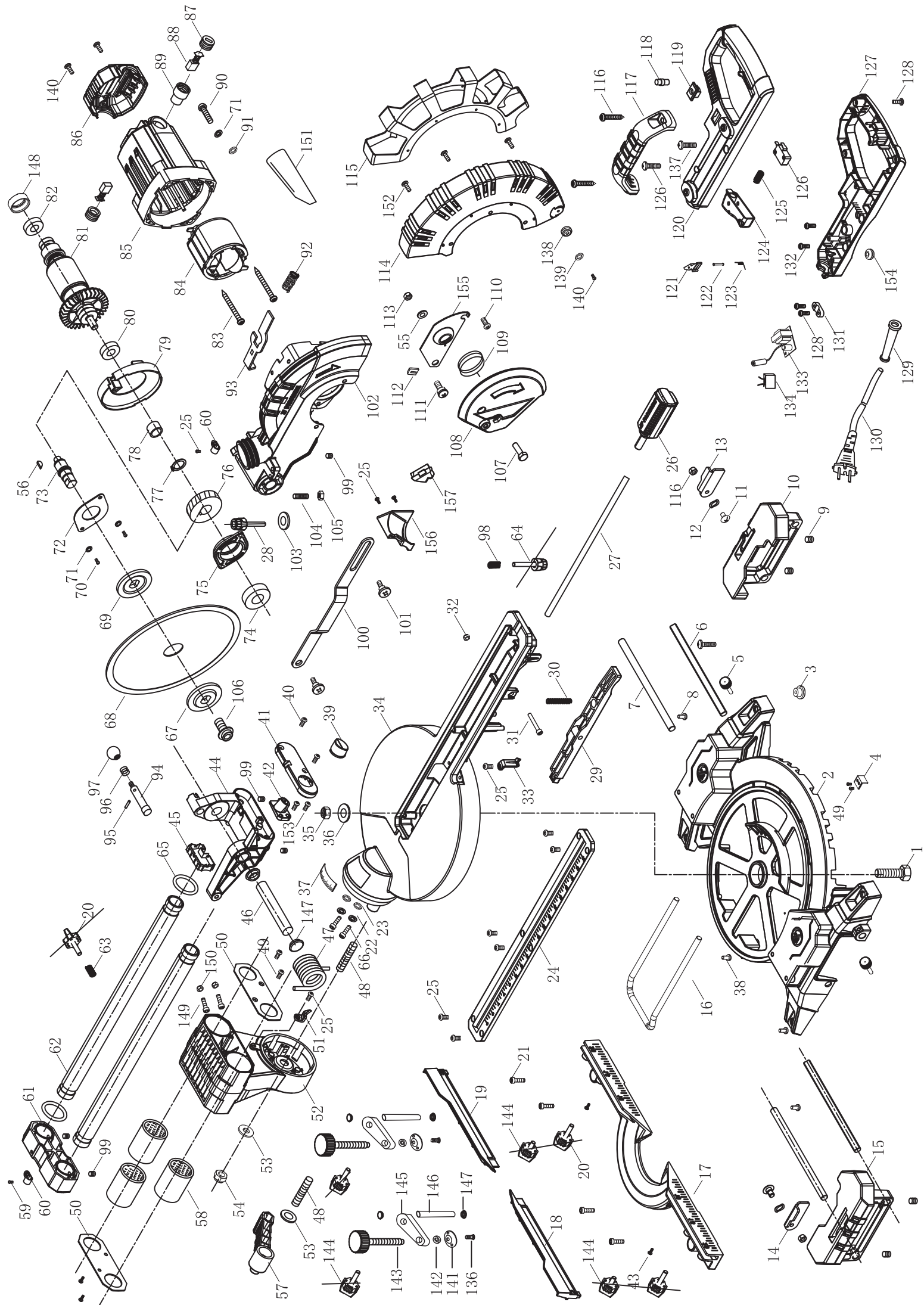
Ichenhausen, den 12.08.2020

Unterschrift / Andreas Pecher / Head of Project Management

First CE: 2019
Subject to change without notice

Documents registrar: Thomas Schuster
 Günzburger Str. 69, D-89335 Ichenhausen







SCHEPPACH FABRIKATION VON HOLZBEARBEITUNGSMASCHINEN GMBH

Günzburger Str. 69
D-89335 Ichenhausen



Last Information Update · Stand der Informationen · Version des informations · Stand van de informatie · Stav informací · Stan informacij · Stav informácií · Estado de las informaciones · Stand van de informatie
Update: 08 / 2020 · Ident.-No.: 338493_2007_39012369915

IAN 338493_2007